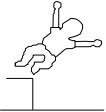
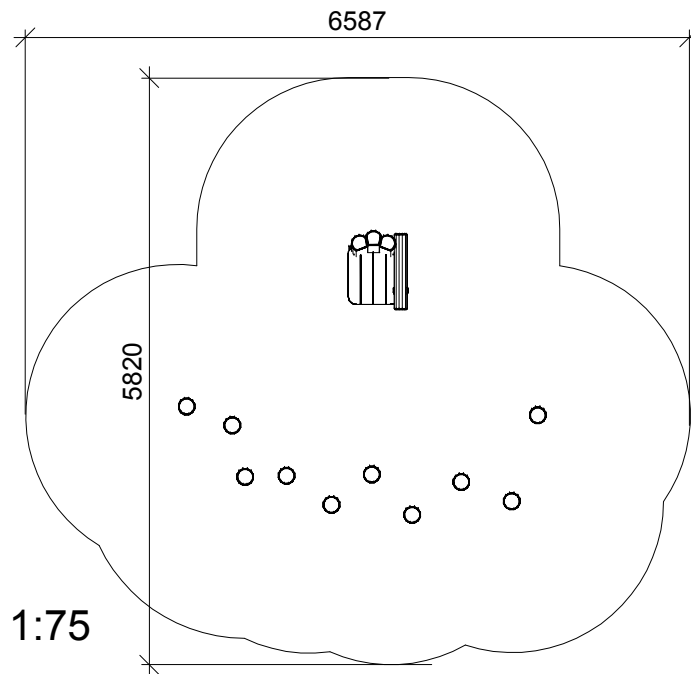
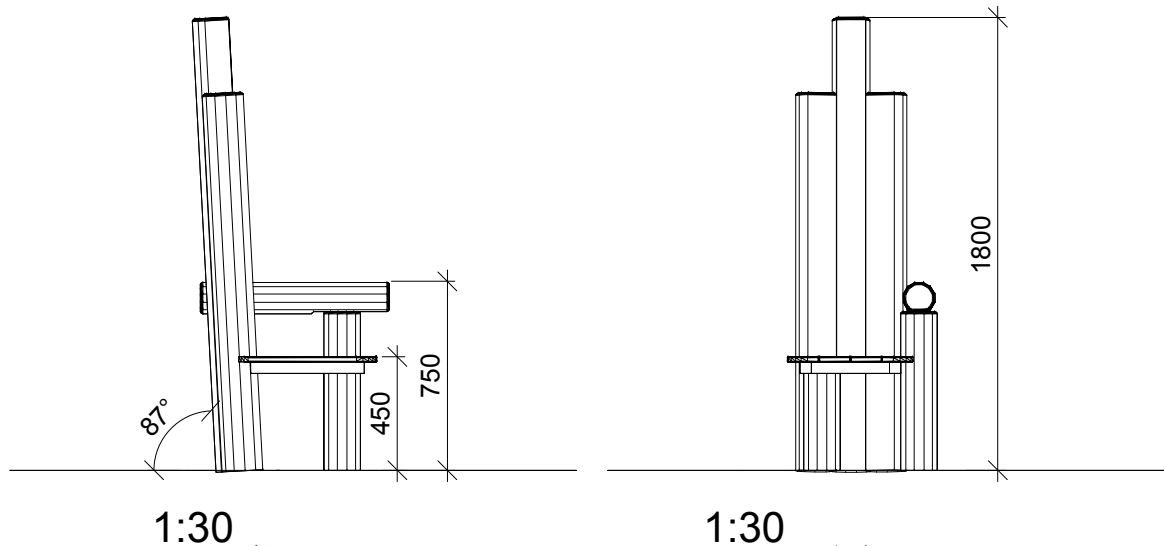
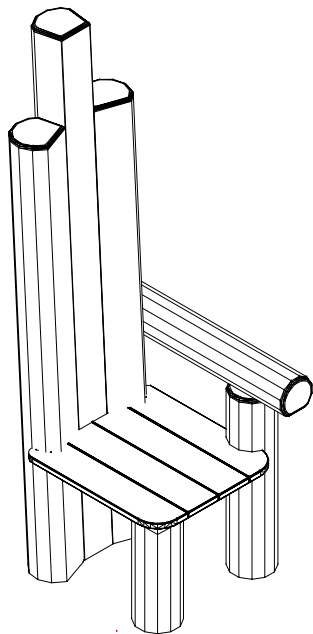


NORLEG	
Robinia Eventyrstol	
LE 20544	
10.08.2004	REV. 07.08.2015

< 750

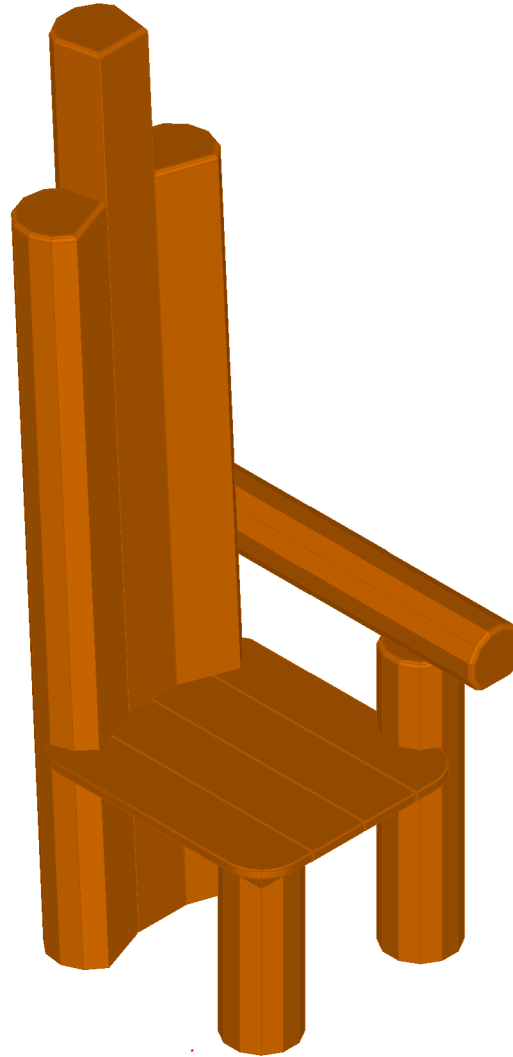


≥ EN 1176




This drawing is the property of NORLEG and pursuant to current legislation may not be copied, transferred to or used by any third party. Should this drawing be used, a fee of 10% of the assumed contract price will be charged.

NORLEG - 3D	
Robinia Eventyrstol	
LE 20544	
10.08.2004	REV. 07.08.2015



NORLEG - Mont.	
Robinia Eventyrstol	
LE 20544	
10.08.2004	REV. 07.08.2015

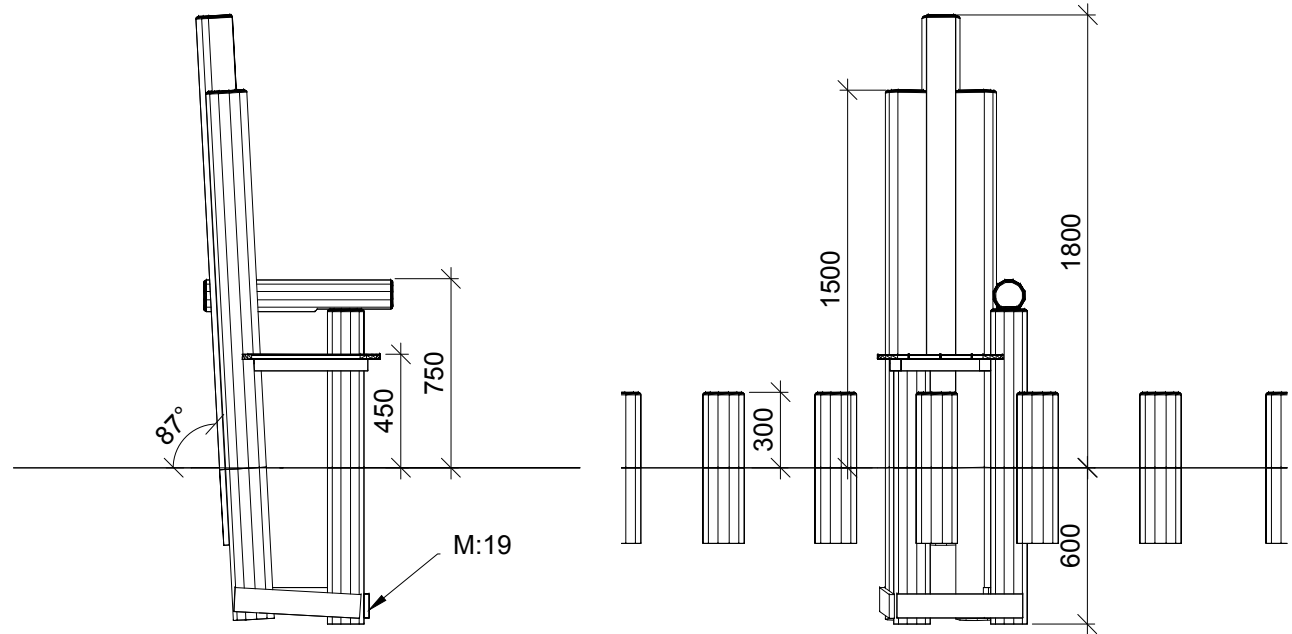
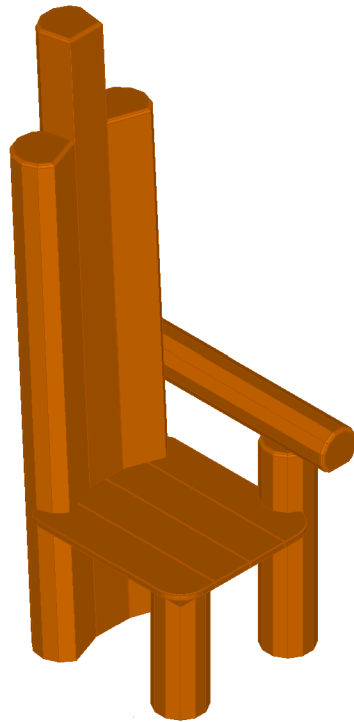
< 750



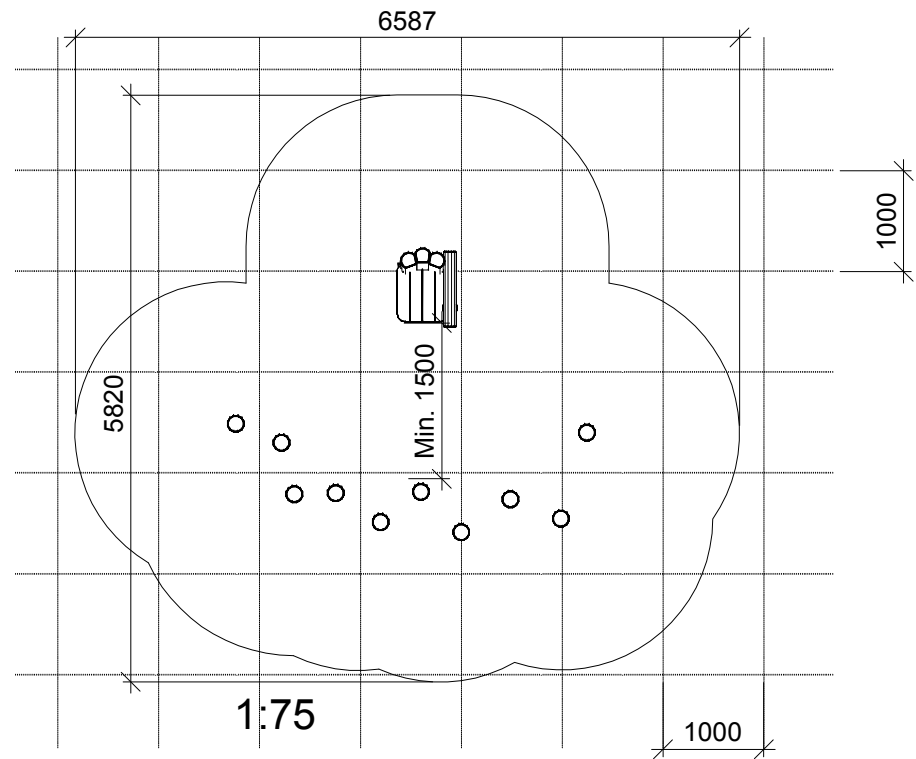
≥ EN 1176

Mont.p. nr.

19



1:30



1:75