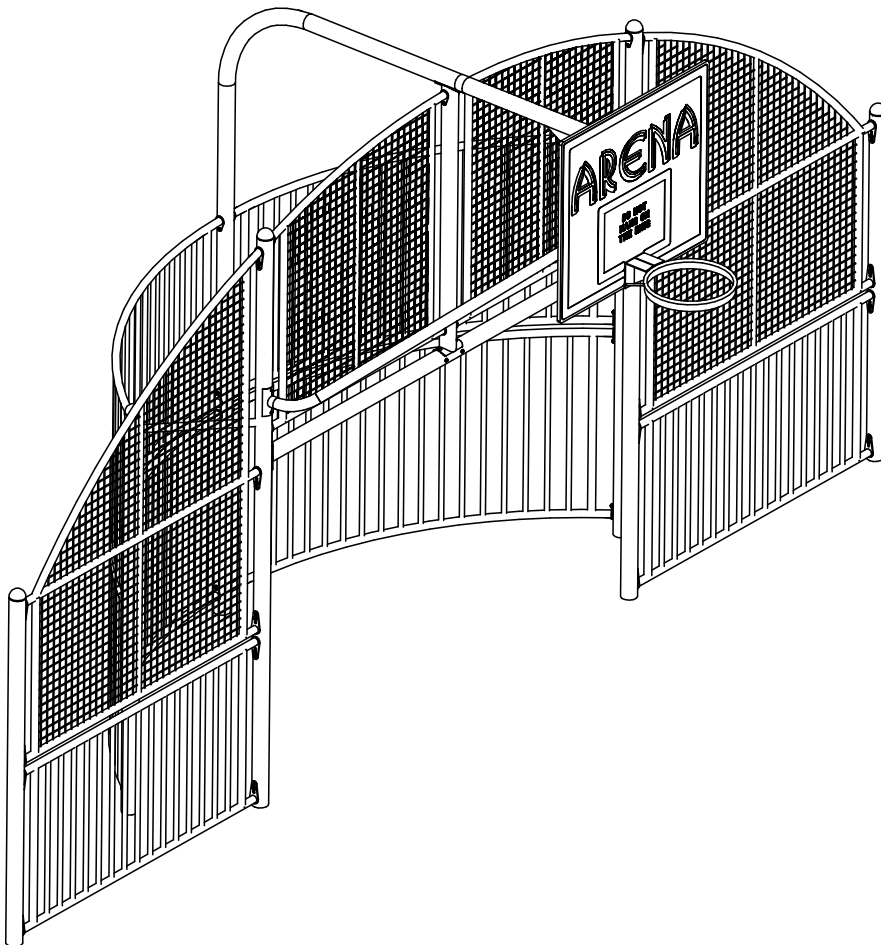
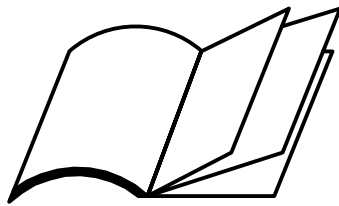


HAGS

ARENA 2007





CONTENTS

Section 1: GOALS / BUTS / TORE / PORTE DA CALCETTO / MÅL	Page 7
1 SAG2B, SAGSM, SAG2R, SAGMR, SAG2BB, SAG2RB, SAGMRB & SAGSMB	Page 7
2 SAMGO	Page 17
3 SAMBB & SAMBR	Page 18
4 SAGF2	Page 23
5 SAGF3 & SAGF3B	Page 28
Section 2: EXCAVATION / AUSHUB / SCAVO / NEDGRÄVNINGSALTERNATIV	Page 37
1 SAP** , SAC** & SAO10	Page 37
2 SACLB & SACUM	Page 37
3 SAEPS	Page 38
4 SAEPD	Page 38
Section 3: POSTS / POTEAUX / PFOSTEN / PALI / STOLPAR	Page 39
1 SAP10	Page 39
2 SAC10	Page 39
3 SAO10	Page 39
4 SAP20	Page 39
5 SAC20	Page 39
6 SAP30	Page 40
7 SAC30	Page 40
8 SAP40	Page 40
9 SAC40	Page 40
10 SAP41	Page 41
11 SAP42	Page 42
Section 4: PANELS / PANNEAUX / WANDELEMENTE / PANNELLI / SKÄRMAR	Page 45
1 SAGAM	Page 48
2 SAGAP	Page 48
3 SA4AM	Page 49
4 SA2LB	Page 50
5 SA2UM	Page 50

6	SA2LR	Page 51
7	SA1LB	Page 52
8	SA1UM	Page 52
9	SA1LR	Page 53
10	SASBM	Page 54
11	SASBR	Page 54
12	SACLB	Page 55
13	SACUM	Page 56
14	SAEPS	Page 56
15	SAEPD	Page 57

Section 5: MINI GOAL & SEATS / MINI-BUTS & PLACES ASSISES / MINI TORE & SITZGELEGENHEITEN / MINI PORTE DA CALCETTO & SEDUTE / MINIMÅL & BÄNKAR Page 59

1	SA2MG	Page 59
2	SA2SS	Page 61
3	SA2LS	Page 62
4	SAH22, SAH23, SAH42 & SAH43	Page 63

Section 6: POLY PANELS / ECRANS EN POLYETHYLENE / POLY-WANDELMENTE / PANNELLI IN POLIETILENE / PP SKÄRMAR Page 75

1	SA2RB	Page 75
2	SA1RB	Page 76
3	SAYLS	Page 76
4	SAYRS	Page 77
5	SAYGK	Page 77
6	SAYDS	Page 78
7	SAYCR	Page 78
8	SAYST	Page 79
9	SAYKT	Page 79

Section 7: GATES / PORTILLONS / EINGANGE / CANCELLI / GRINDAR Page 81

1	SAZ10	Page 82
2	SAZ20	Page 83
3	ADJUSTMENT OF GATE CLOSING SPEED AJUSTEMENT DE LA VITESSE DE FERMETURE DU PORTILLON EINSTELLEN DER SCHLISSGESCHWINDIGKEIT DES EINGANGSTORES REGOLAZIONE DELLA VELOCITÀ DI CHIUSURA DEL CANCELLO JUSTERING HASTIGHET AV GRINDENS STÄNGNING	Page 84
4	SAZ12	Page 85

5	SAZ13	Page 85
6	SAZ22	Page 86
7	SAZ23	Page 87
8	SAZ32	Page 88
9	SAZ33	Page 89
10	SAZ42	Page 90
11	SAZ43	Page 91

Section 8: NET EXTENSIONS / RALLONGES PARE-BALLONS / NETZ-VER- LANGERUNGEN / ESTENSIONI RETI / FÖRLÄNGNINGSTOLPE ...

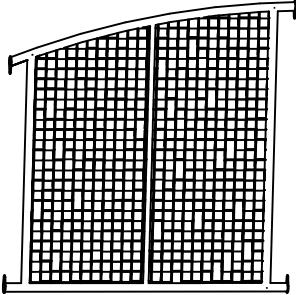
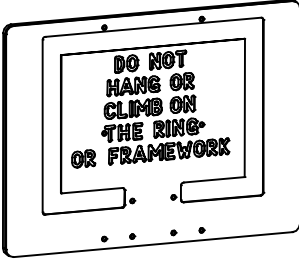
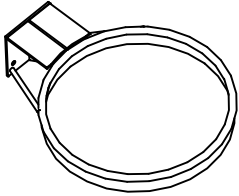
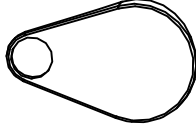
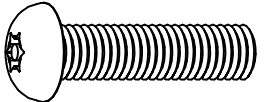
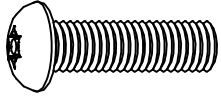
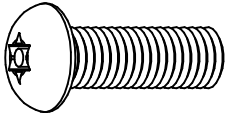
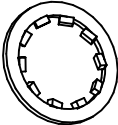
		Page 93
1		Page 93
1.1	SABSL10	Page 93
1.2	SABSR10	Page 93
1.3	SABSL20	Page 93
1.4	SABSR20	Page 93
1.5	SABSL30	Page 93
1.6	SABSR30	Page 94
2		Page 95
2.1	SABSL10S	Page 95
2.2	SABSR10S	Page 96
2.3	SABSL20S	Page 97
2.4	SABSR20S	Page 98
2.5	SABSL30S	Page 99
2.6	SABSR30S	Page 100
3		Page 102
3.1	SABTA10	Page 102
3.2	SABTA15	Page 102
3.3	SABTA20	Page 102
3.4	SABTA21	Page 102
3.5	SABTA25	Page 103
3.6	SABTS10	Page 103
3.7	SABTS20	Page 103
3.8	SABTS30	Page 103
4		Page 103
4.1	SABSF10	Page 103
4.2	SABSF15	Page 104
4.3	SABSF25	Page 104


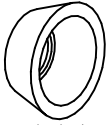
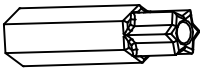
Section 9: TENNIS NET / FILET DE TENNIS / TENNIS-NETZ / RETE DA TENNIS	
	/ TENNISNÄT Page 105
1	SANET Page 105
Appendix A: GOALS DECK MOUNTED / BUTS SUR PLATINES / TORE	
OBERERDIG MONTIERT / PORTE DA CALCETTO FILO SUOLO /	
MÅL OVAN MARK MONTERING Page 109	
1	SAG2BD, SAGSMD, SAG2RD, SAGMRD, SAG2BBD, SAG2RBD, SAGMRBD & SAGSMBD Page 109
2	SAGF2D Page 112
3	SAGF3D & SAGF3BD Page 114
Appendix B: POSTS DECK MOUNTED / POTEAUX SUR PLATINES / PFOSTEN	
OBERERDIG MONTIERT / PALI FILO SUOLO / STOLPAR OVAN	
MARK MONTERING Page 117	
1	SAP10D Page 117
2	SAC10D Page 117
3	SAO10D Page 117
4	SAP20D Page 117
5	SAC20D Page 118
6	SAP30D Page 118
7	SAC30D Page 118
8	SAP40D Page 118
9	SAC40D Page 119
10	SAP41D Page 120
11	SAP42D Page 121
Appendix C: SEAT DECK MOUNTED & ACCESS / PLACES ASSISES & ACCES	
SUR PLATINES / SITZGELEGENHEITEN & ZUGANGE OBERERDIG	
MONTIERT / ESDUTA FILO SUOLO & ACCESSO / BÄNKER FÖR	
OVAN MARK FÖRANKING & INGANG Page 123	
1	SAH22D, SAH23D, SAH42D & SAH43D Page 123
2	SAEPSD Page 126
3	SAEPDD Page 128

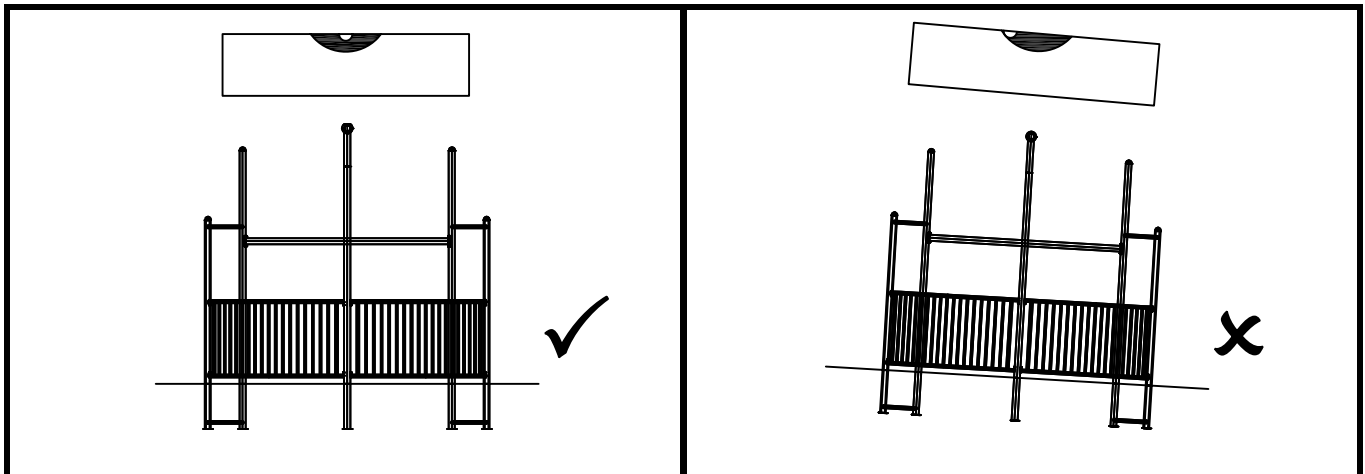
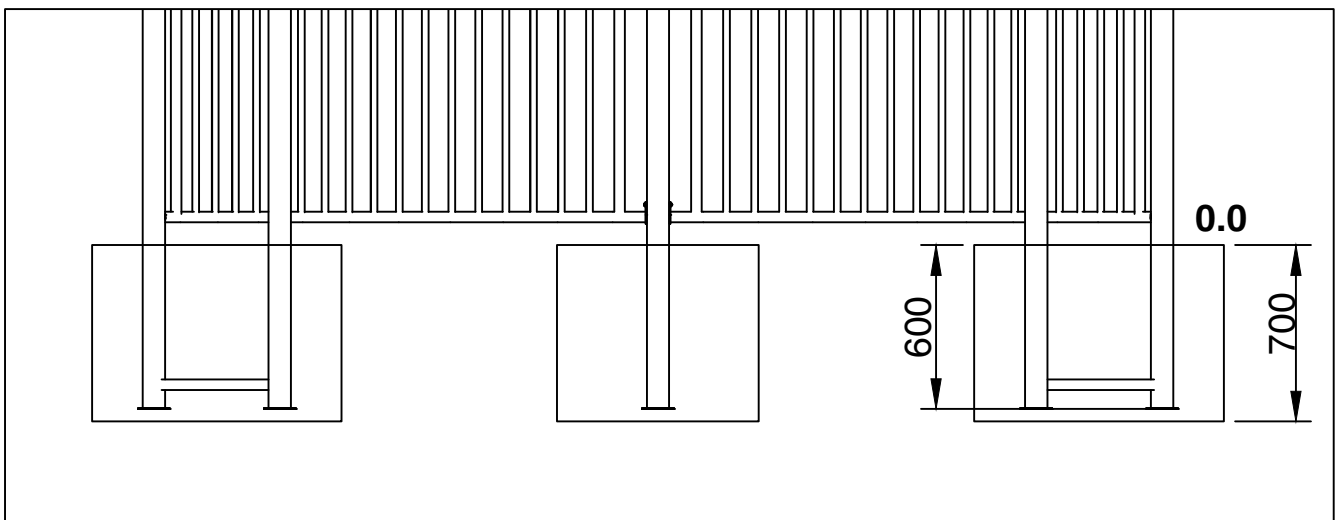
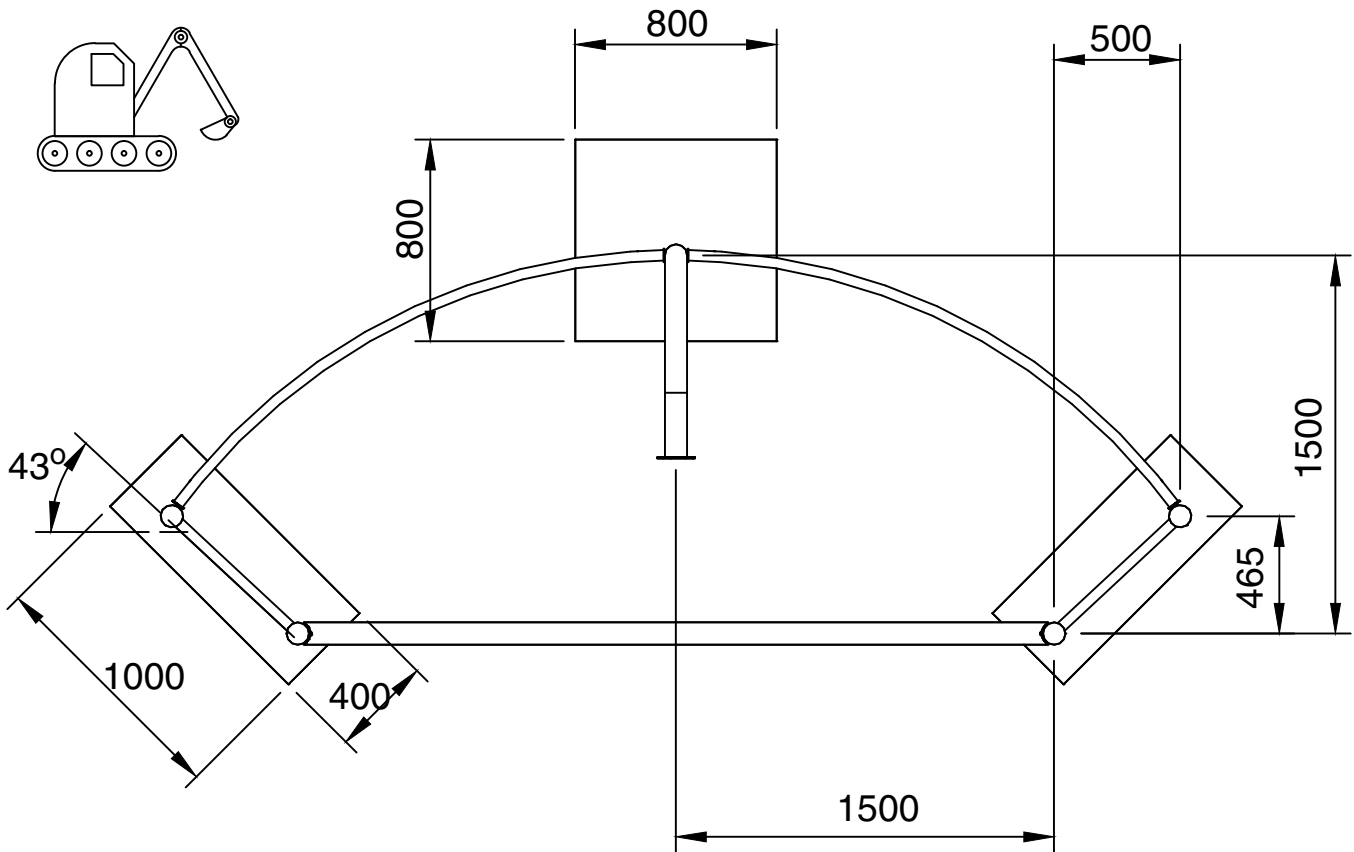
Section 1: GOALS / BUTS / TORE / PORTE DA CALCETTO / MÅL

1 SAG2B, SAGSM, SAG2R, SAGMR, SAG2BB, SAG2RB, SAGMRB & SAGSMB

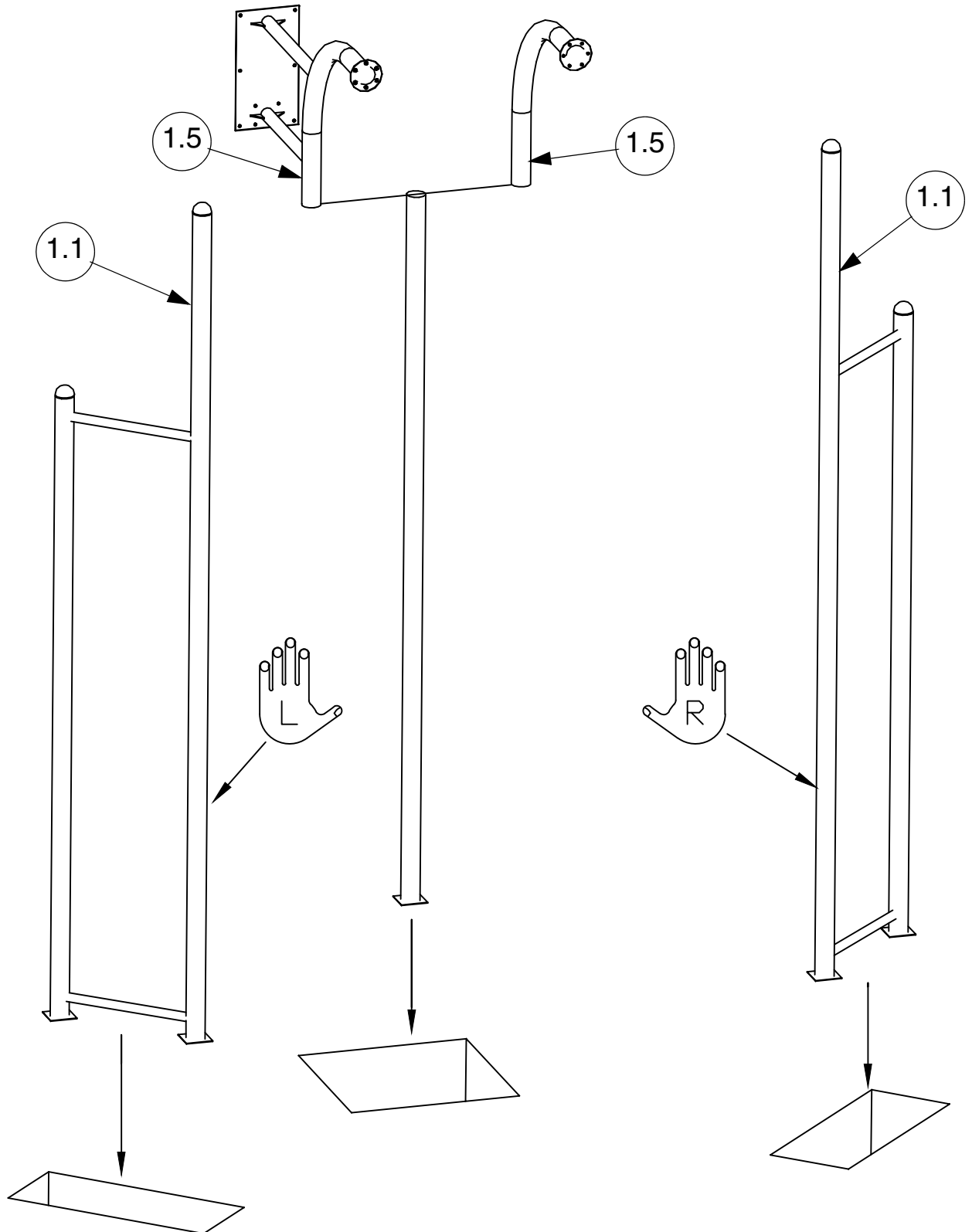
ITEM	REF.	Image	QTY								kg
			SAG2B	SAGSM	SAG2R	SAGMR	SAG2BB	SAG2RB	SAGMRB	SAGSMB	
1.1	24000101		SET OF 2		SET OF 2		SET OF 2	SET OF 2			63.00
	24000102			SET OF 2		SET OF 2				SET OF 2	75.00
1.2	25000205						1				27.00
1.3	25000201						1				14.00
1.4	24000301		4	4			4			4	50.00
	24000305				4	4		4	4		68.00
1.5	24000111						1				50.00
	24000115								1		63.00

ITEM	REF.		QTY						kg	
			SAG2B	SAGSM	SAG2R	SAGMR	SAG2BB	SAG2RB		SAGMRB
1.6	25000405					2				26.00
1.7	24000905							1		7.500
1.8	25000907							1		8.000
1.9	19025501					24				0.015
1.10	10121040	 M10 X 40						4		0.037
1.11	10121035	 M10 X 35						6		0.032
1.12	10121030	 M10 X 30				30				0.028
1.13	10301000	 M10 12X18X1		30				50		0.002

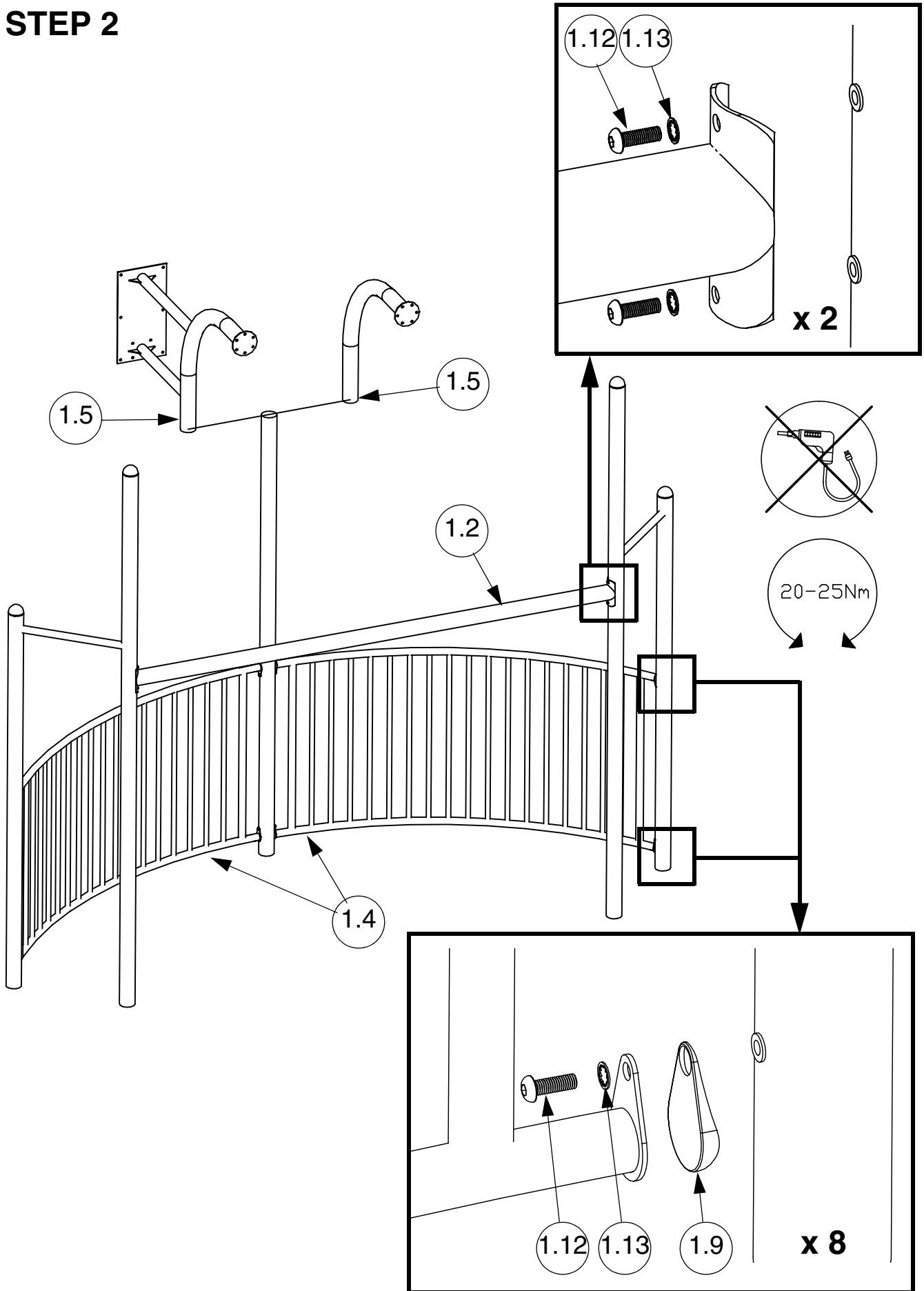
ITEM	REF.		QTY								kg
			SAG2B	SAGSM	SAG2R	SAGMR	SAG2BB	SAG2FB	SAGMRB	SAGSMB	
1.14	10271000	 M10					10				0.020
1.15	10411000	 M10					10				0.020
1.16	10121000	 T45 M10									



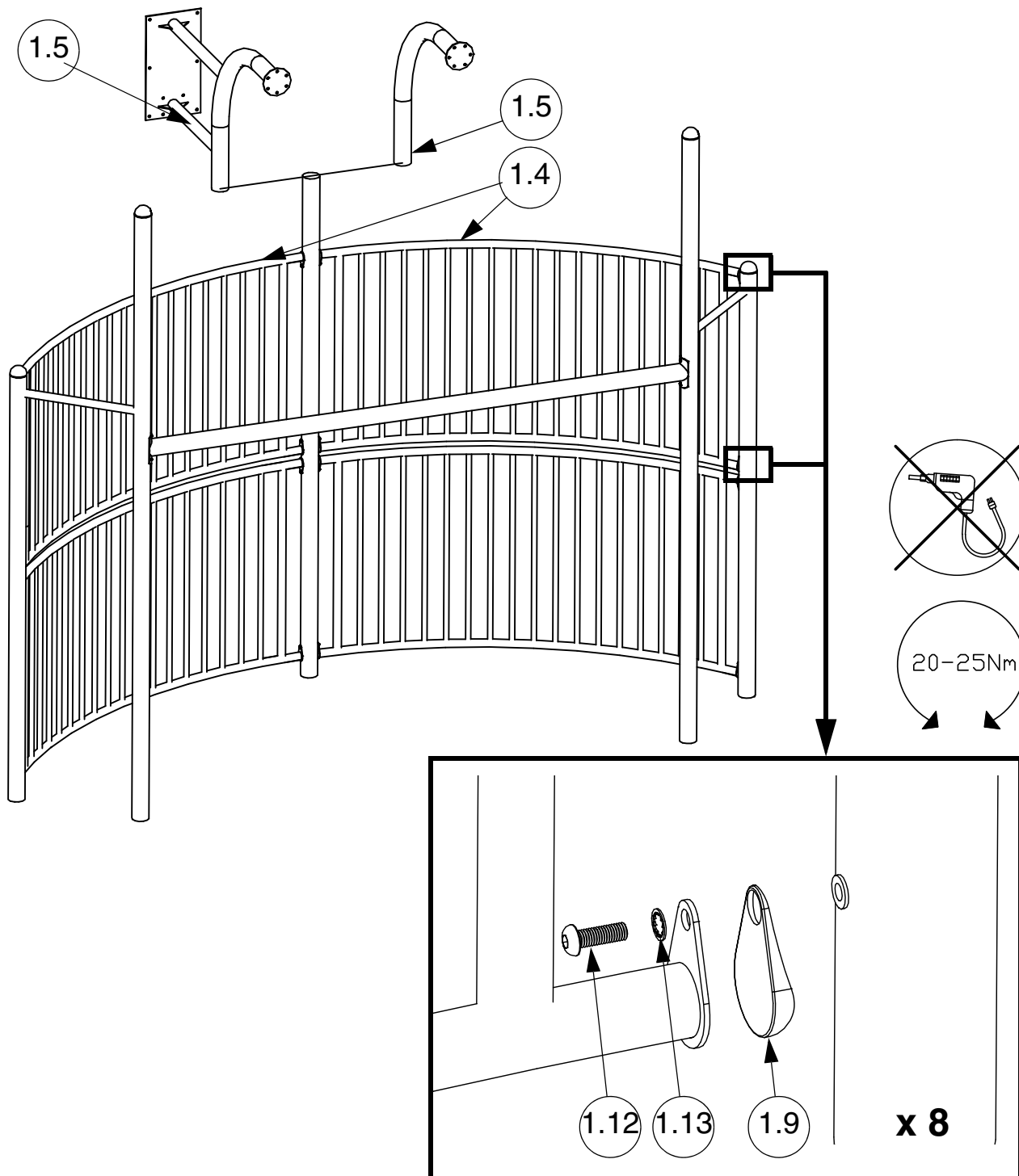
STEP 1



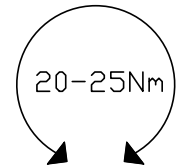
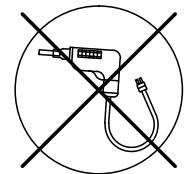
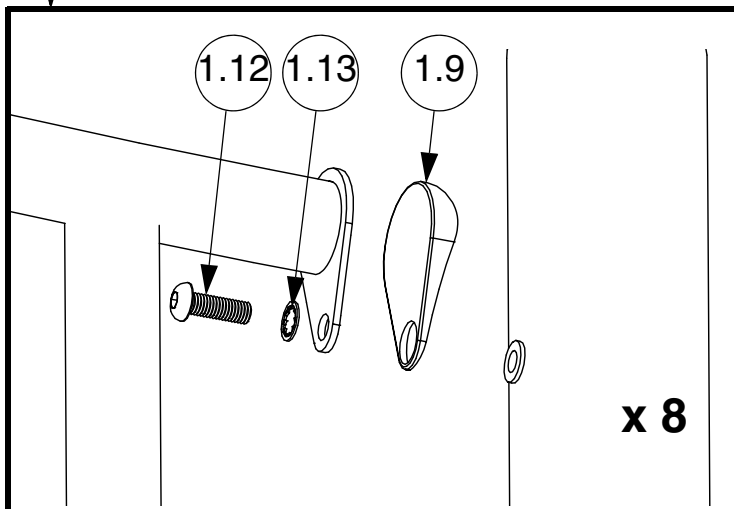
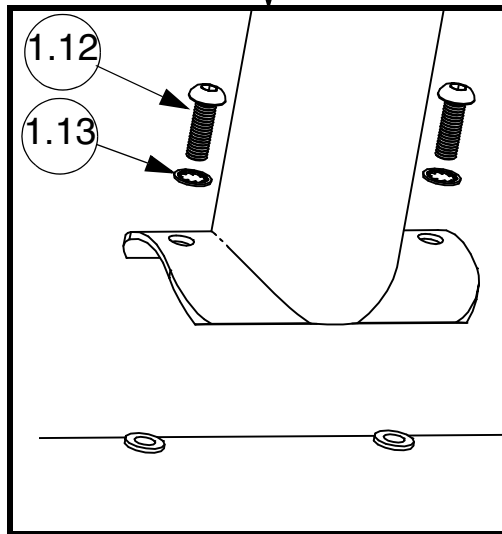
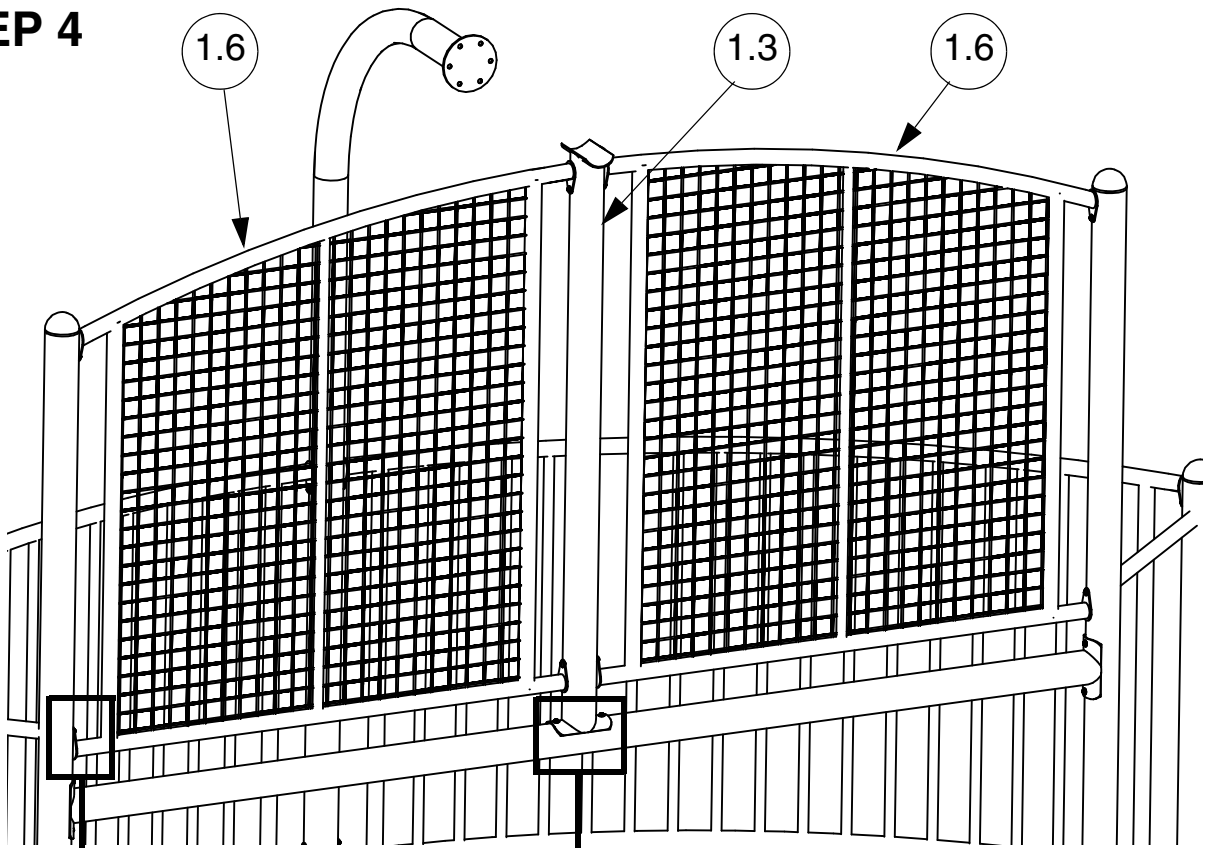
STEP 2



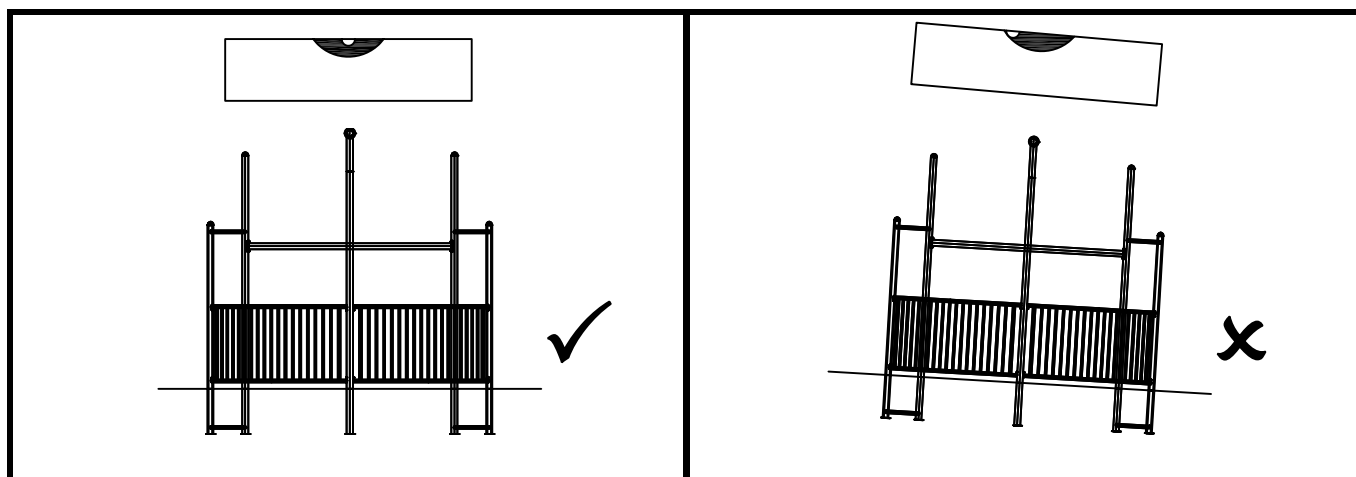
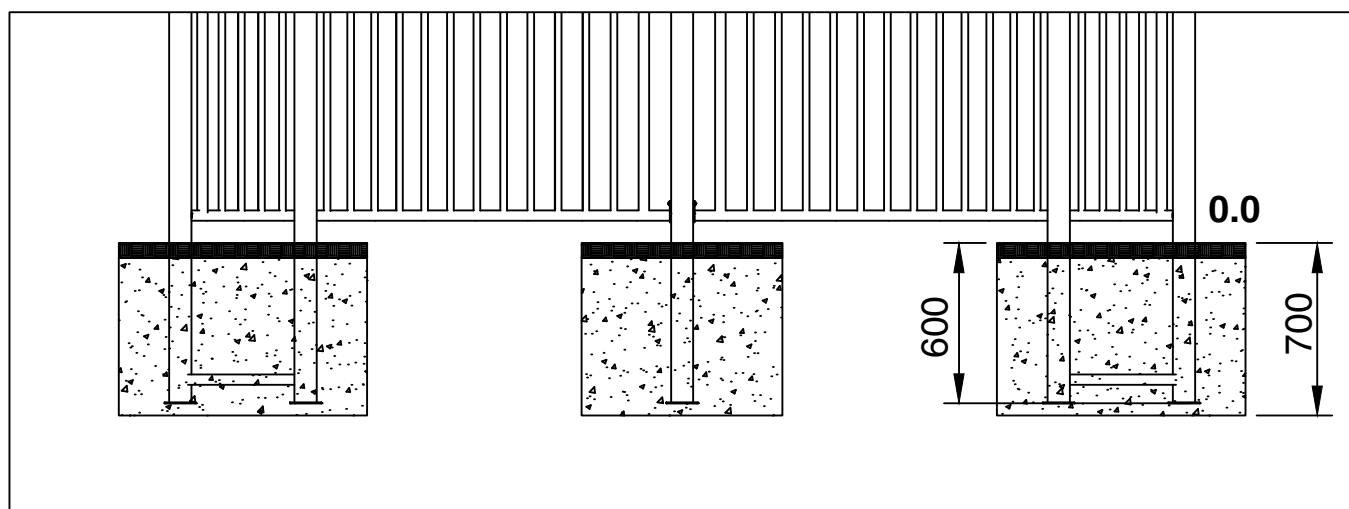
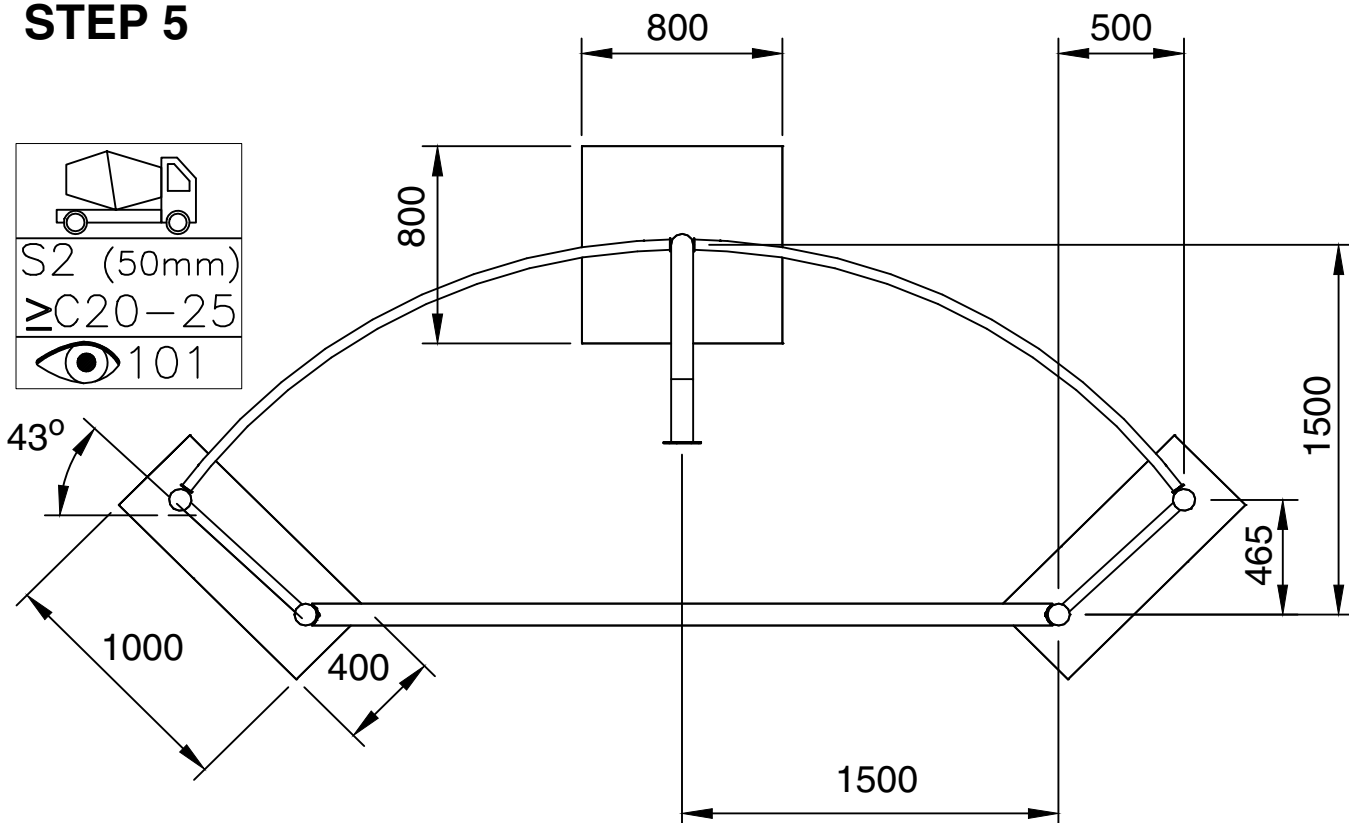
STEP 3



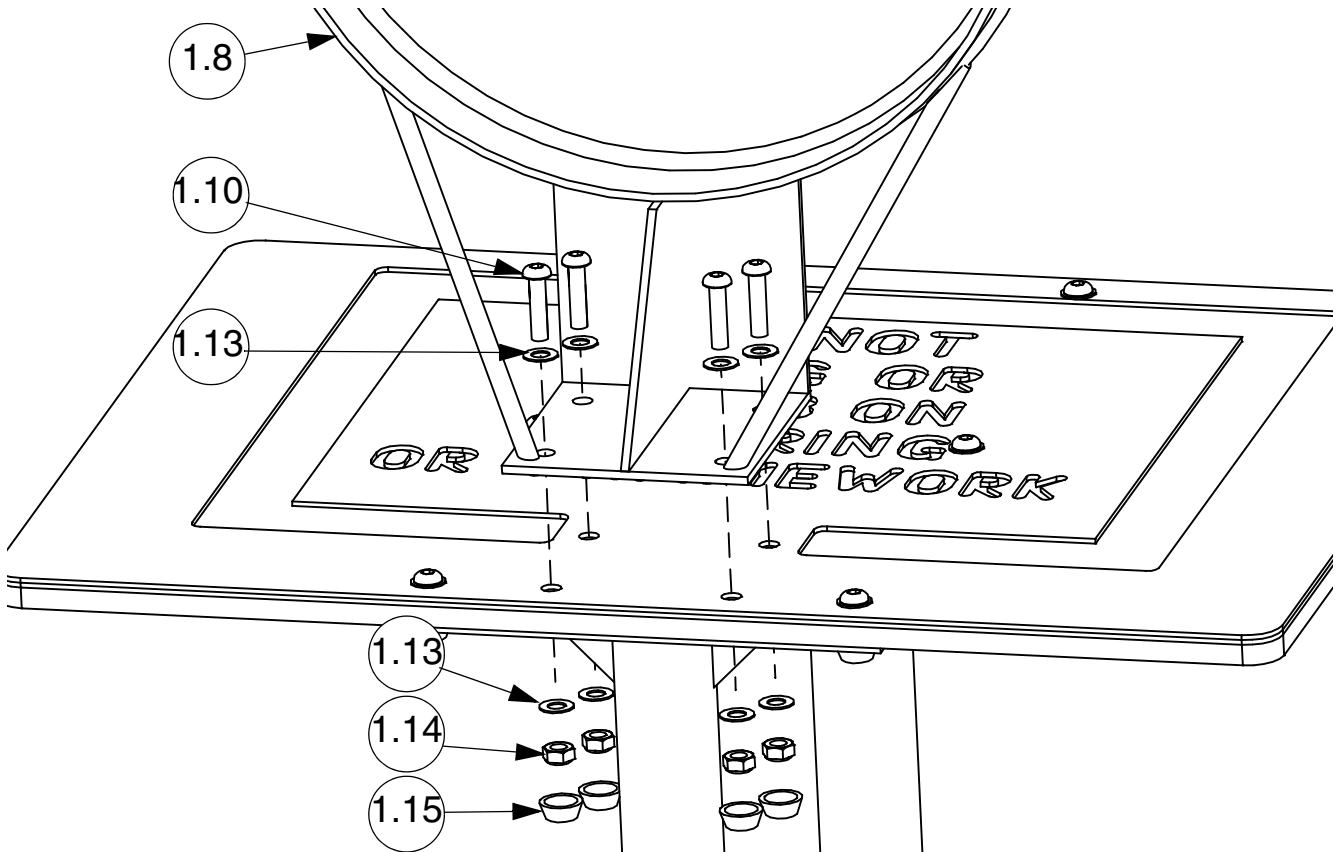
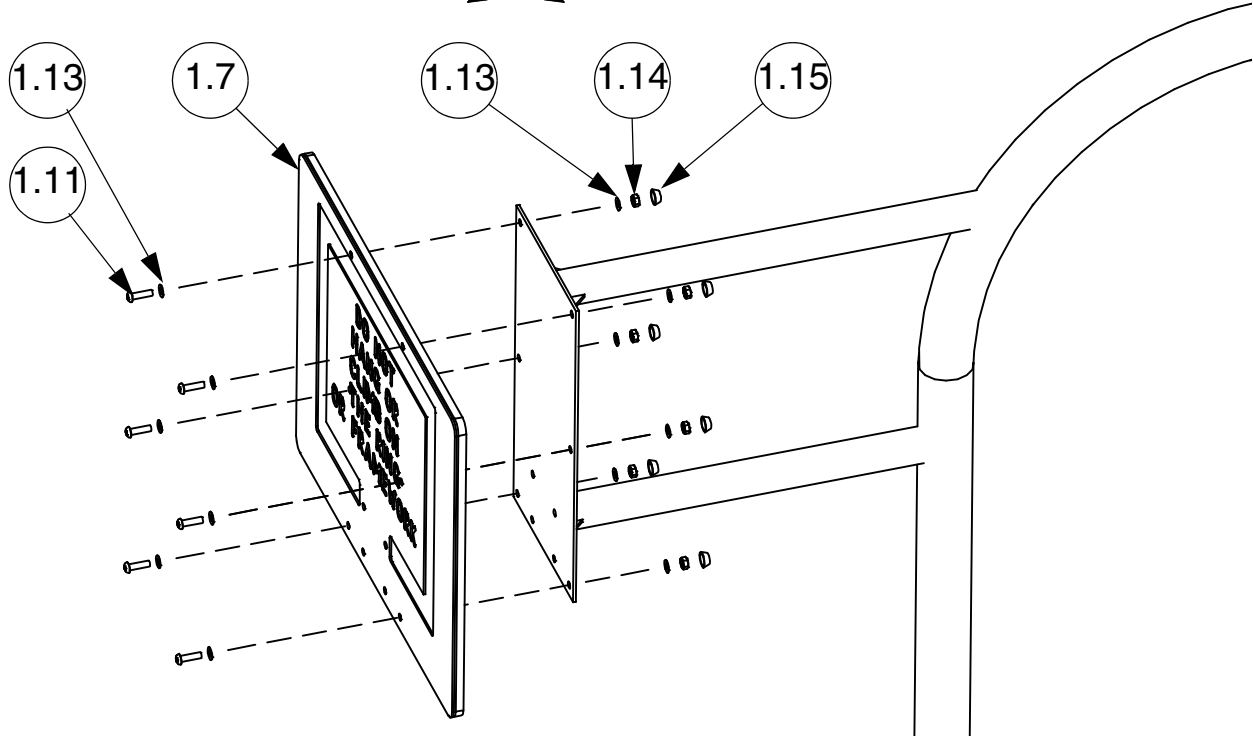
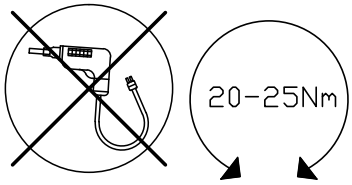
STEP 4



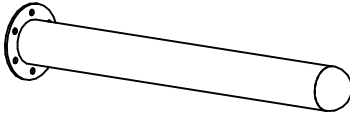
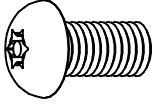
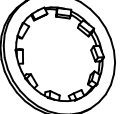
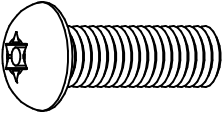
STEP 5

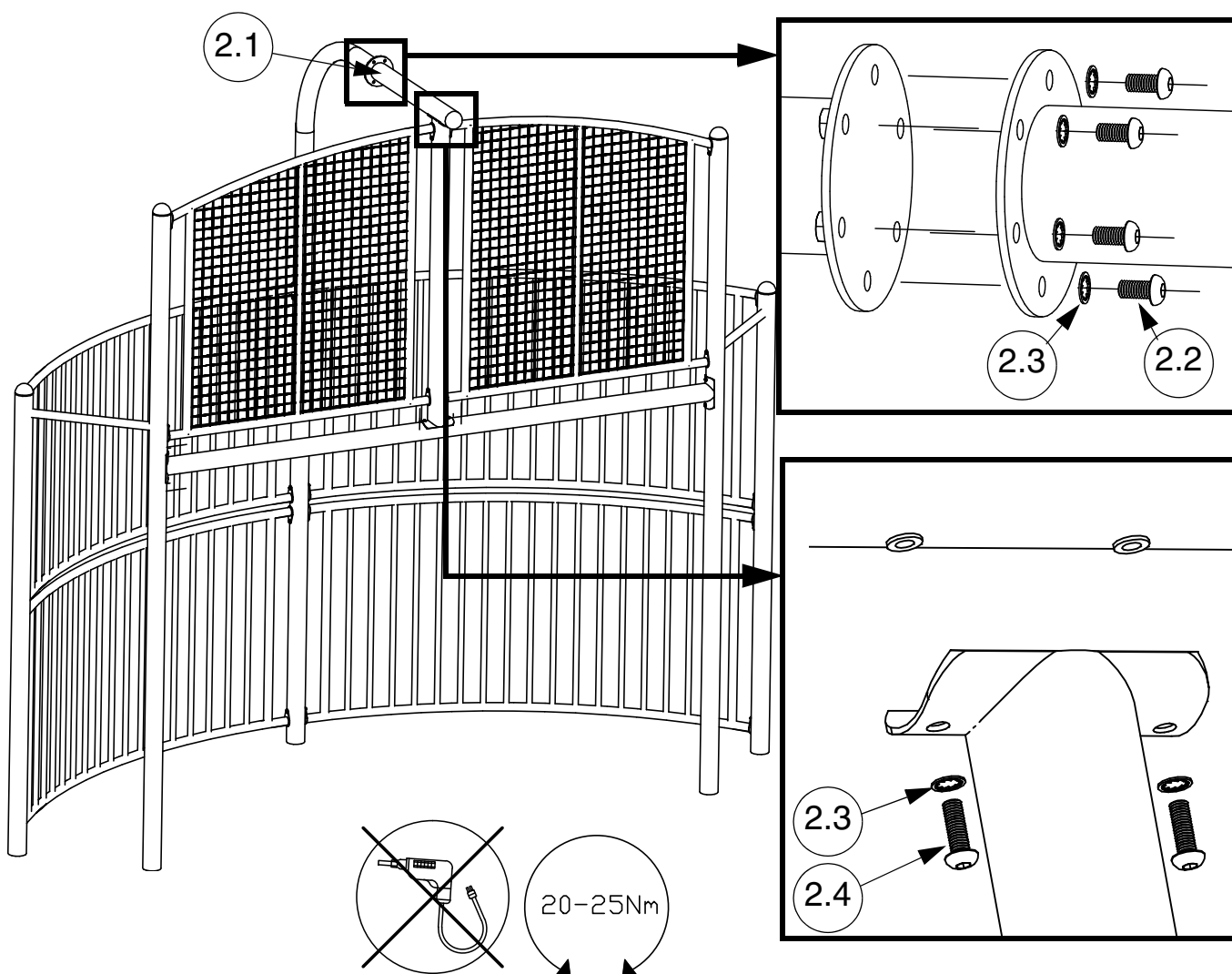


STEP 6

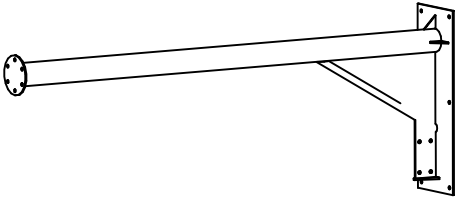
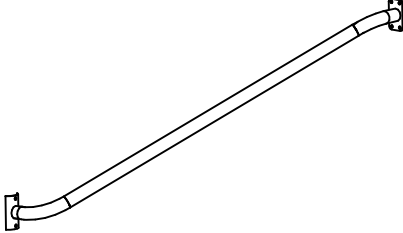
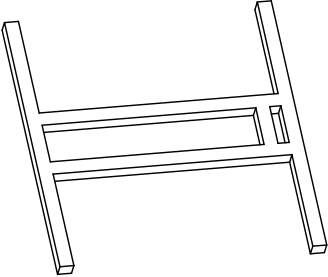
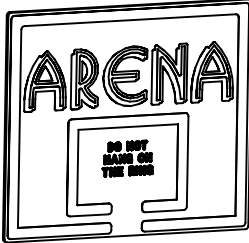
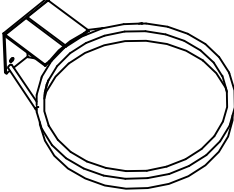
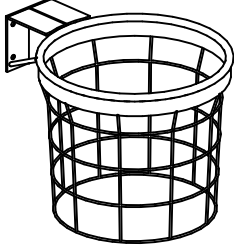


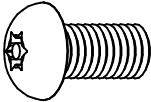
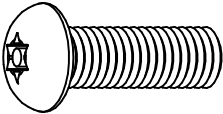
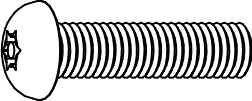

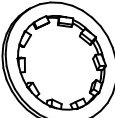
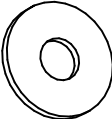
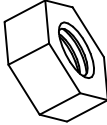
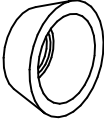
2 SAMGO

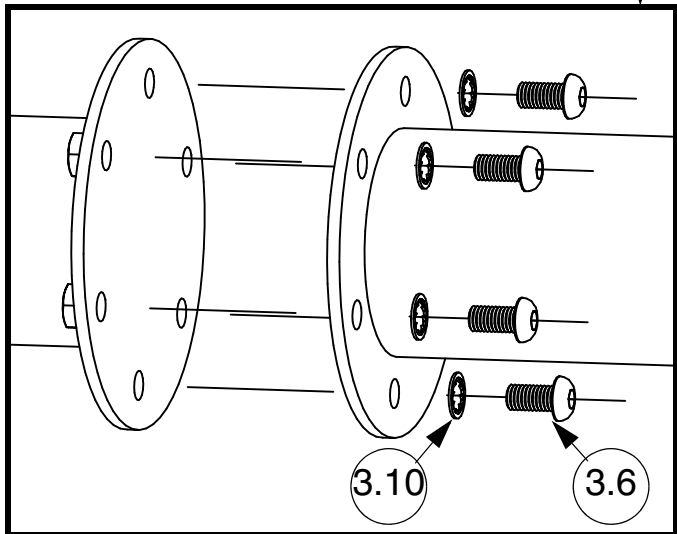
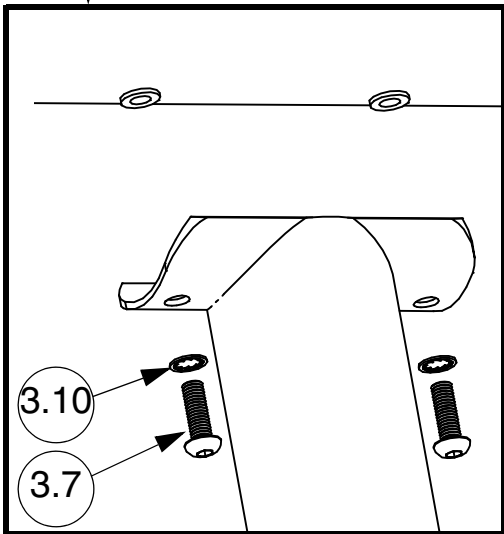
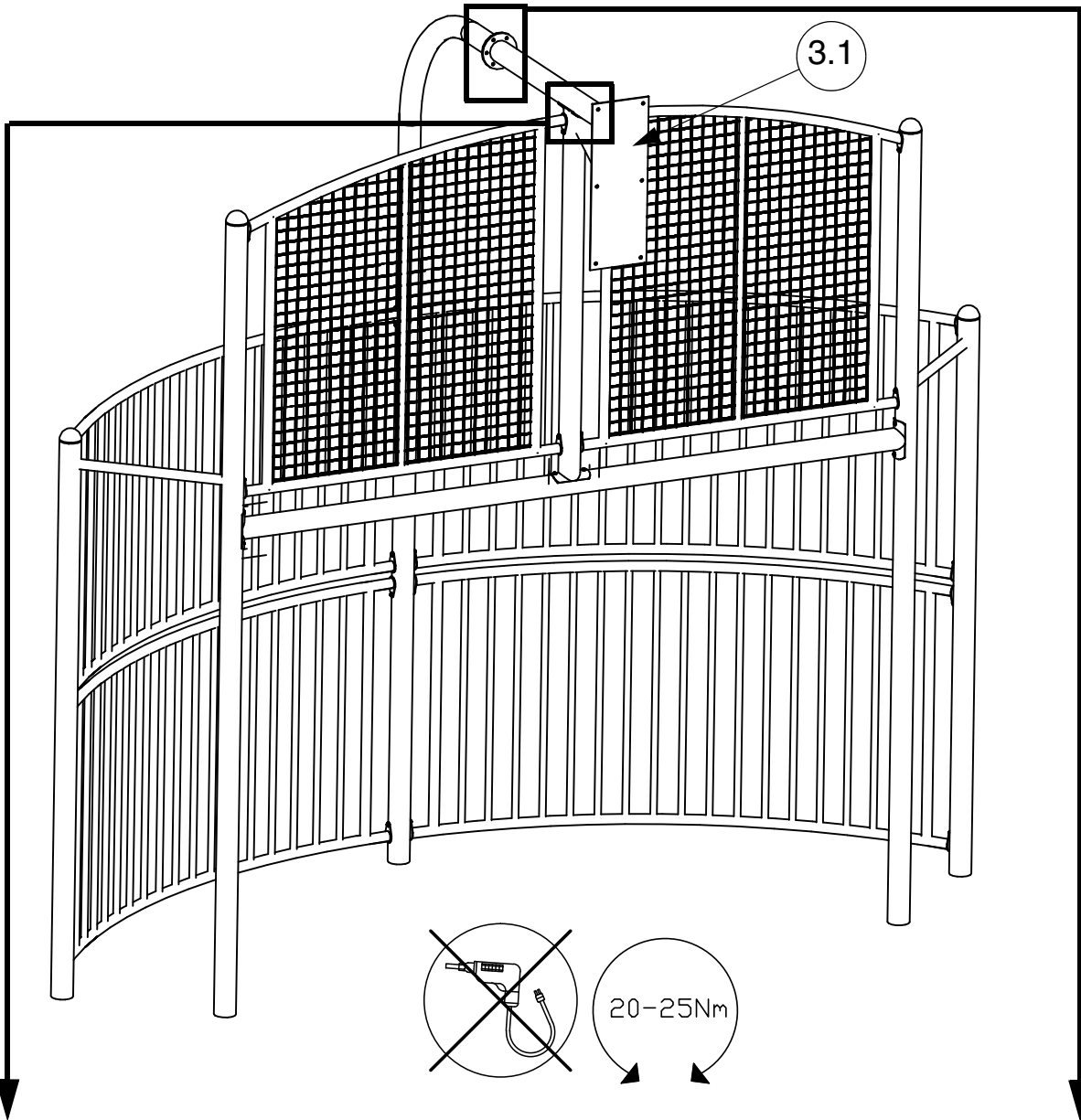
ITEM	CODE		SAMGO	kg
2.1	25000115		1	29.000
2.2	10121020	 M10 X 20	6	0.020
2.3	10301000	 M10 12X18X1	8	0.002
2.4	10121030	 M10 X 30	2	0.028

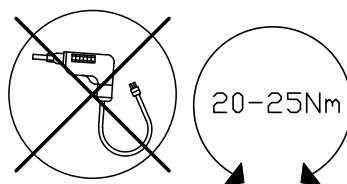
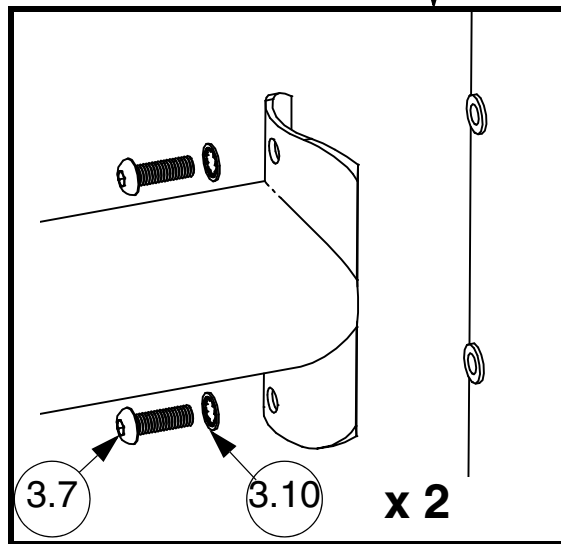
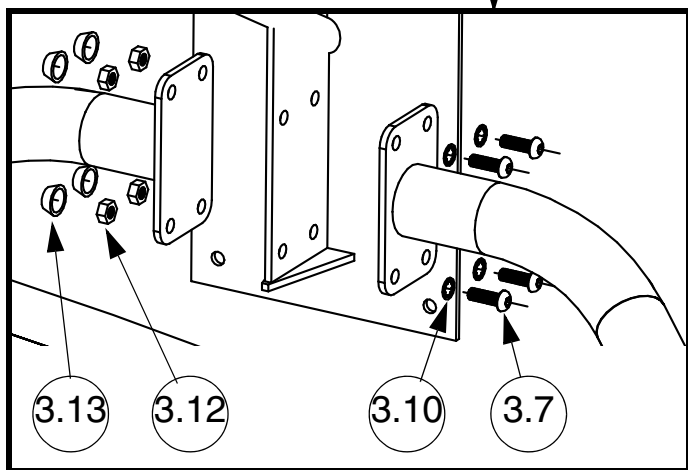
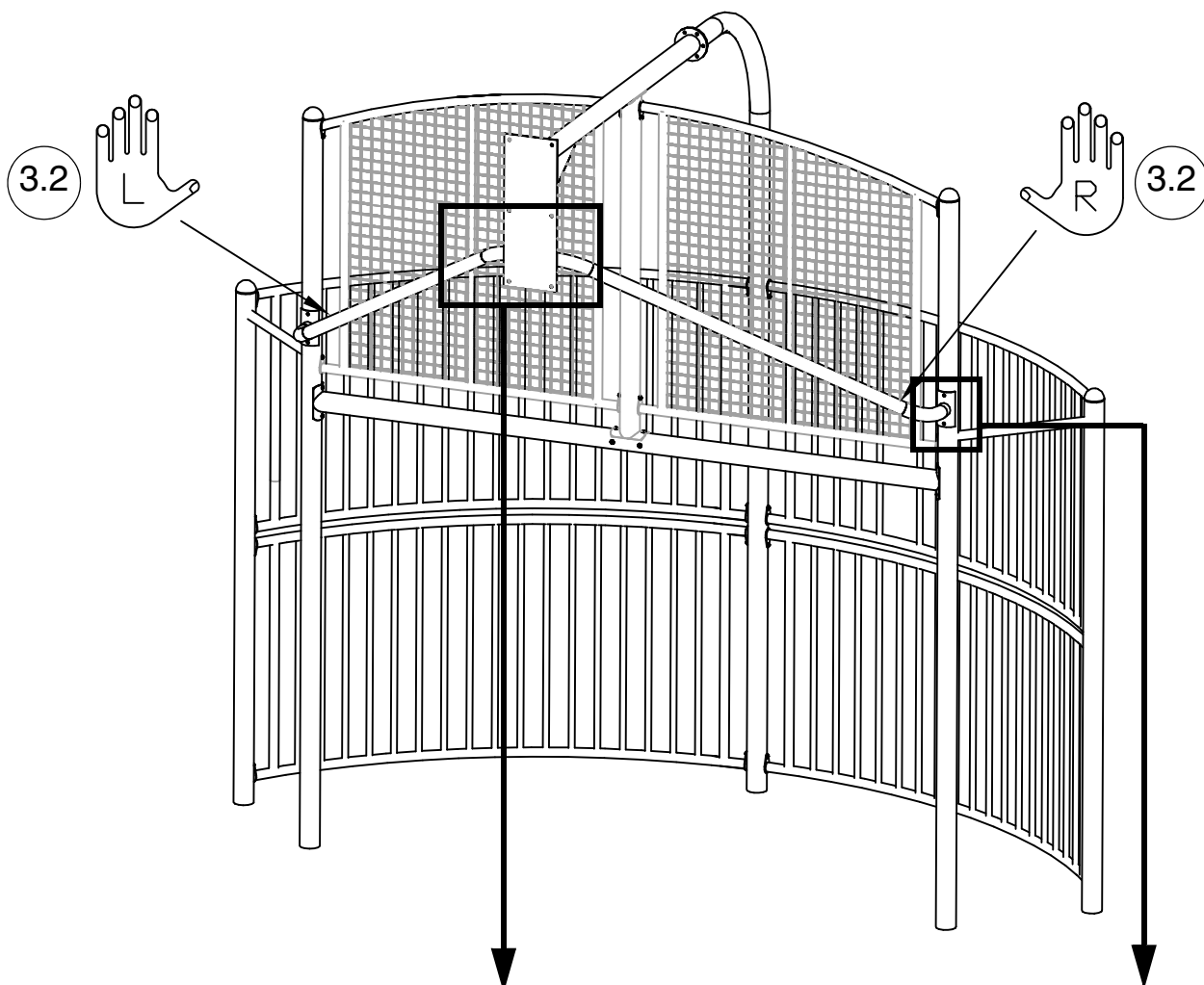


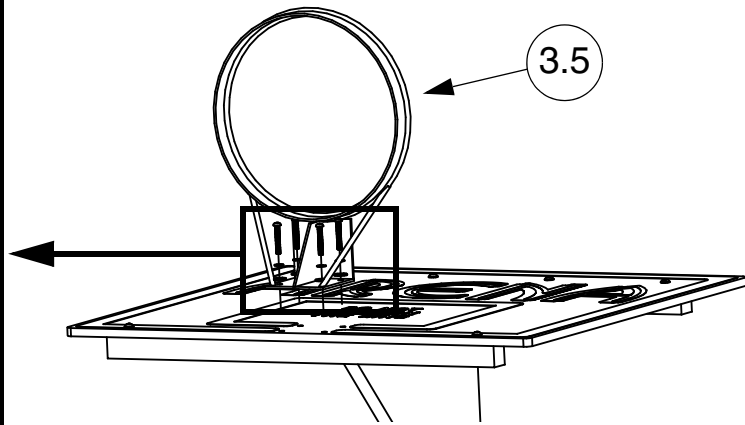
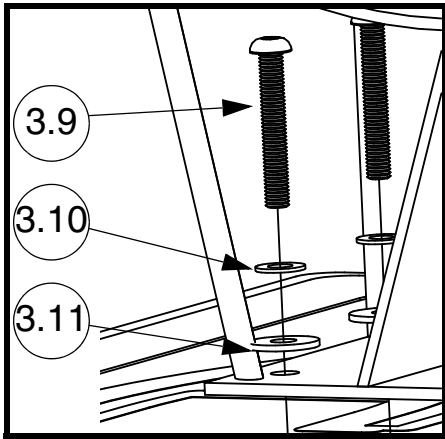
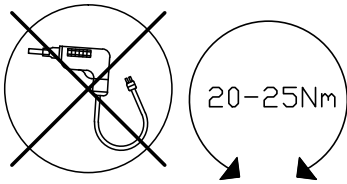
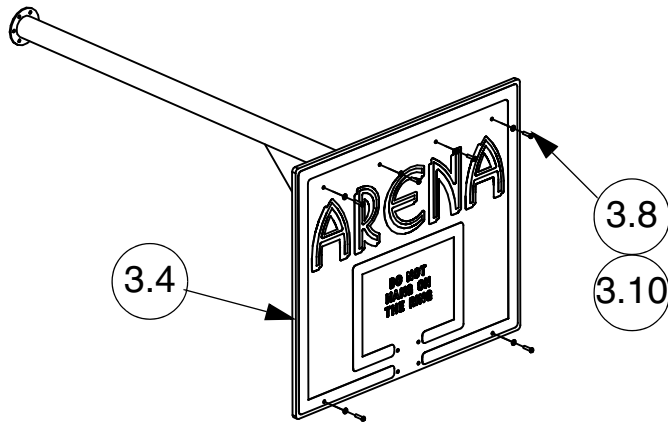
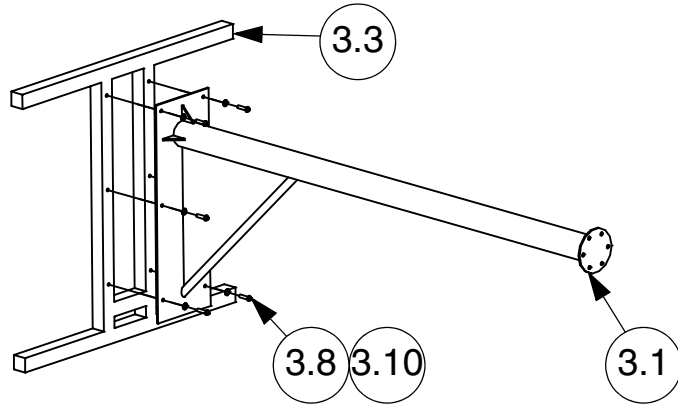
3 SAMBB & SAMBR

ITEM	REF		SAMBB	SAMBR	kg
3.1	25000113		1		44.000
3.2	25000114		SET OF 2		13.000
3.3	25000903		1		18.000
3.4	25000905		1		24.000
	25000907			1	8.000
3.5	25000901		1		11.000

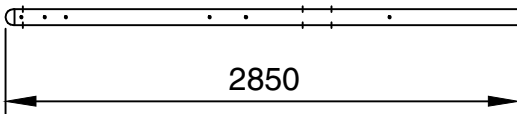
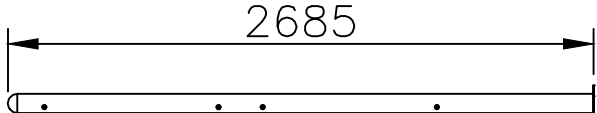
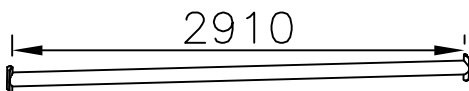
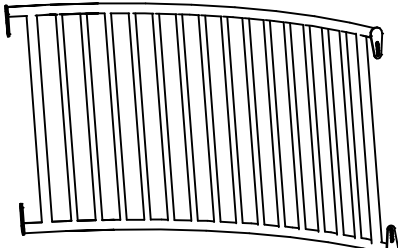
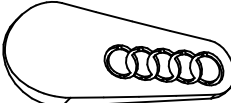
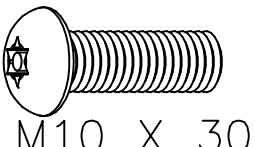
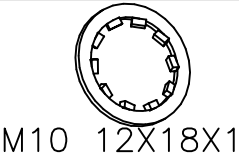
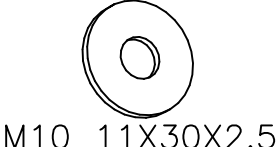
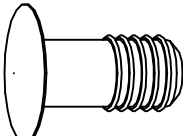
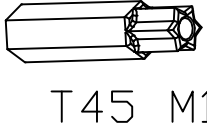
ITEM	REF		SAMBB	SAMBR	kg
3.6	10121020	 M10 X 20	6		0.020
3.7	10121030	 M10 X 30	10		0.028
3.8	10121040	 M10 X 40	12		0.037
3.9	10121065	 M10 X 65	4		0.050
3.10	10301000	 M10 12X18X1	36		0.002
3.11	10309999	 M10 11X30X2.5	4		0.003
3.12	10281000	 M10	4		0.013
3.13	10411000	 M10	4		0.020

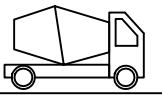
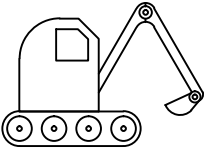




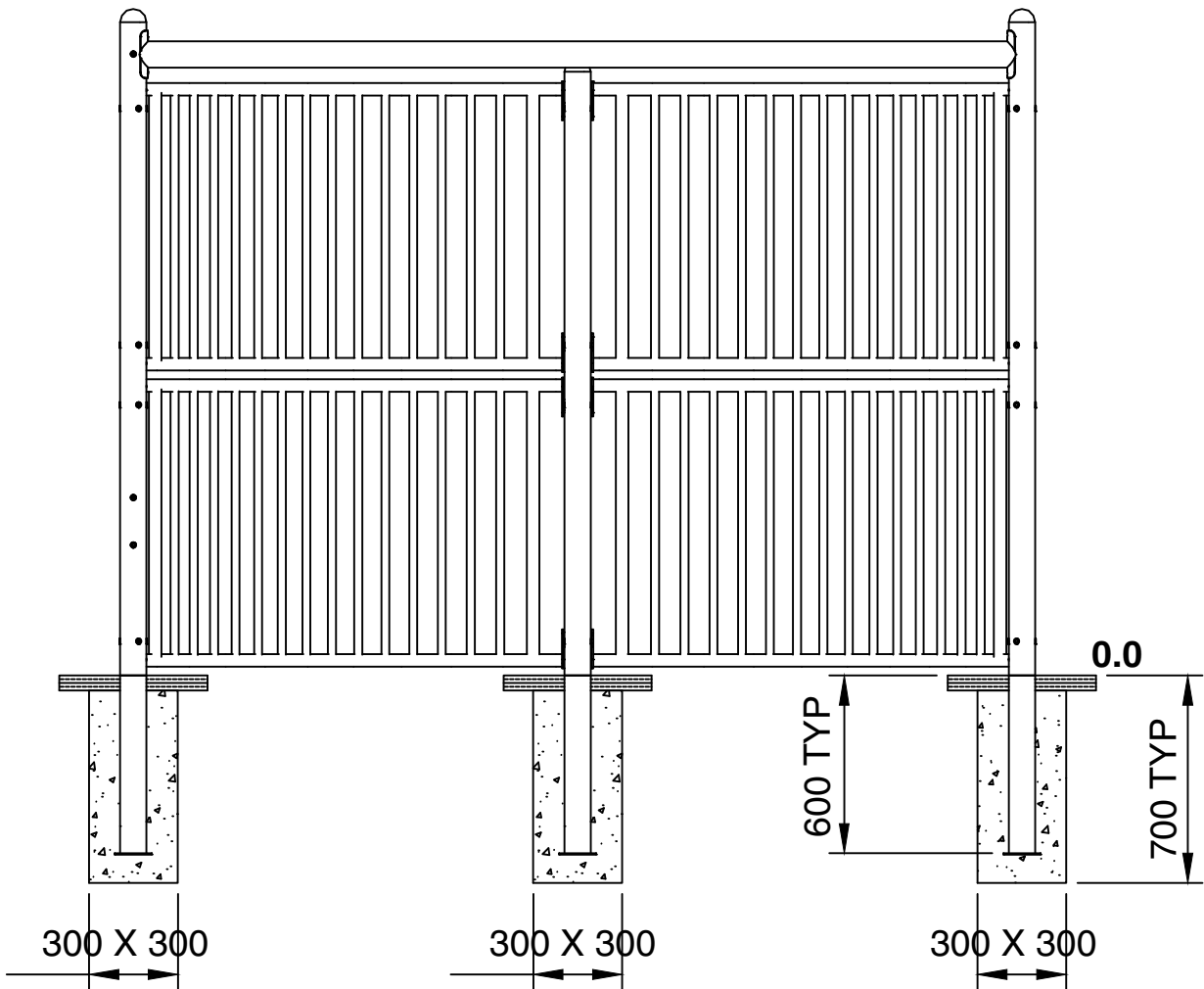
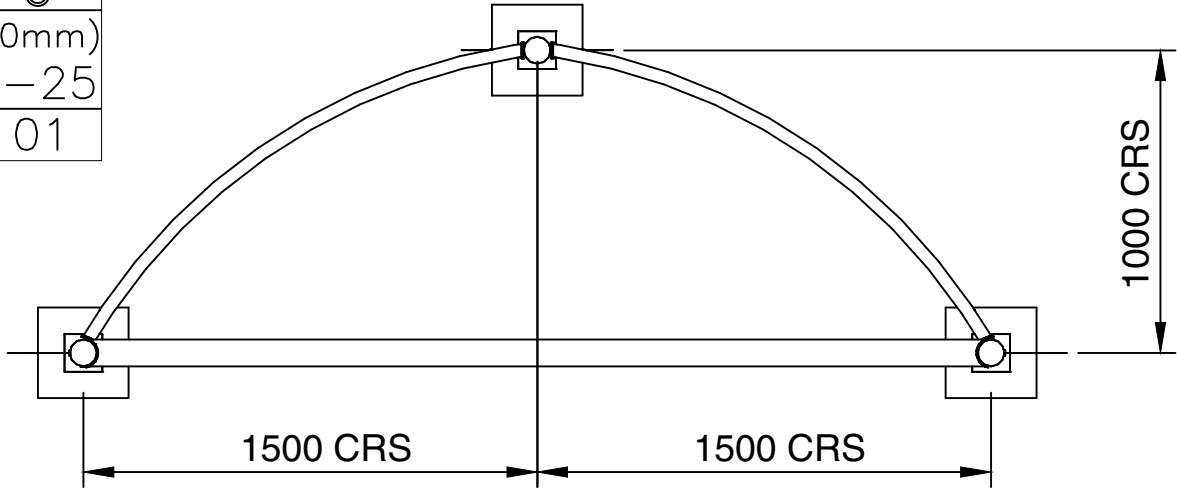


4 SAGF2

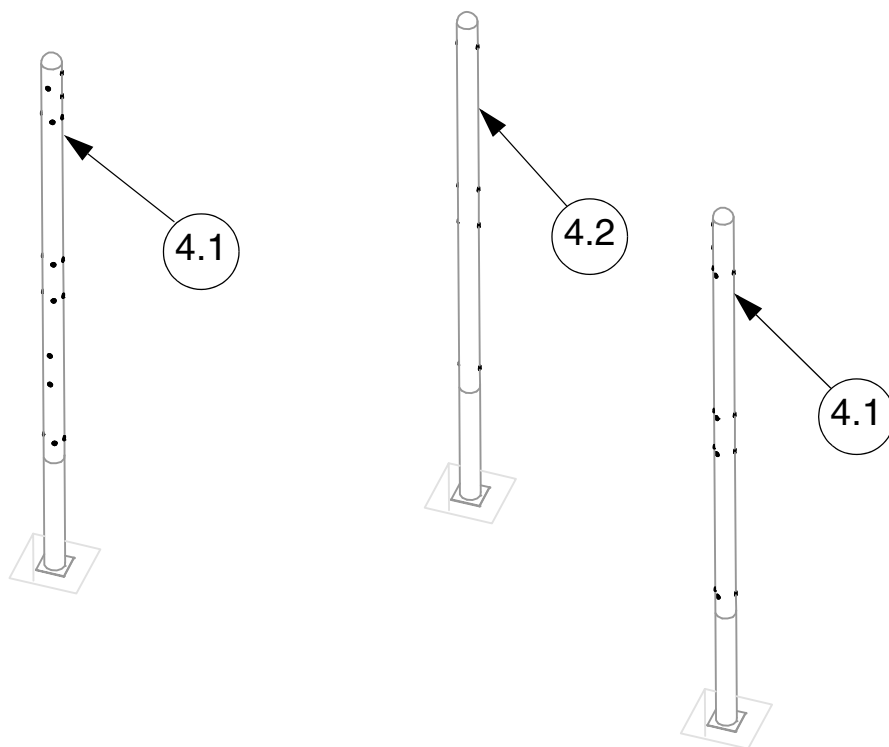
ITEM	CODE		SAGF2	kg
4.1	24000132		2	24.00
4.2	24000105		1	21.00
4.3	25000205		1	27.00
4.4	24000615		4	35.50
4.5	19022401		16	0.010
4.6	10121030		20	0.028
4.7	10301000		20	0.002
4.8	10309999		16	0.011
4.9	19024501		24	0.001
5.0	10121000		1	



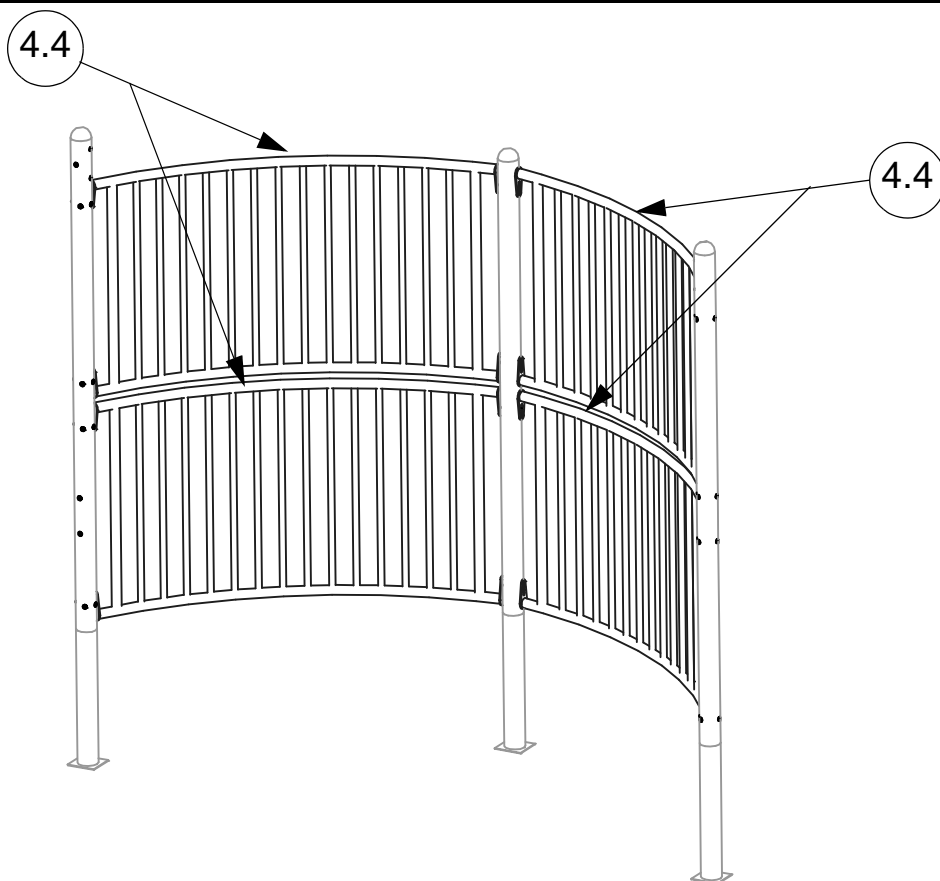
S2 (50mm)
≥C20-25
101

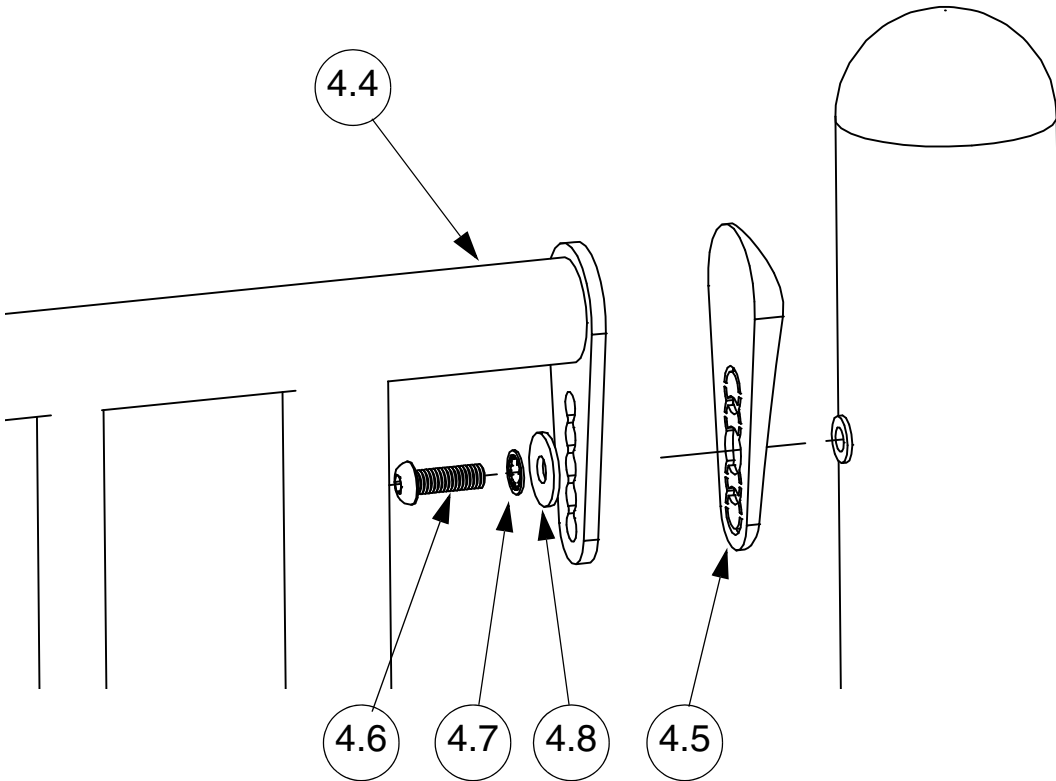
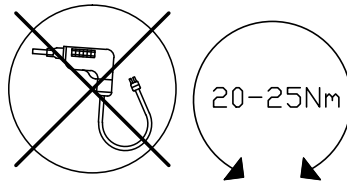
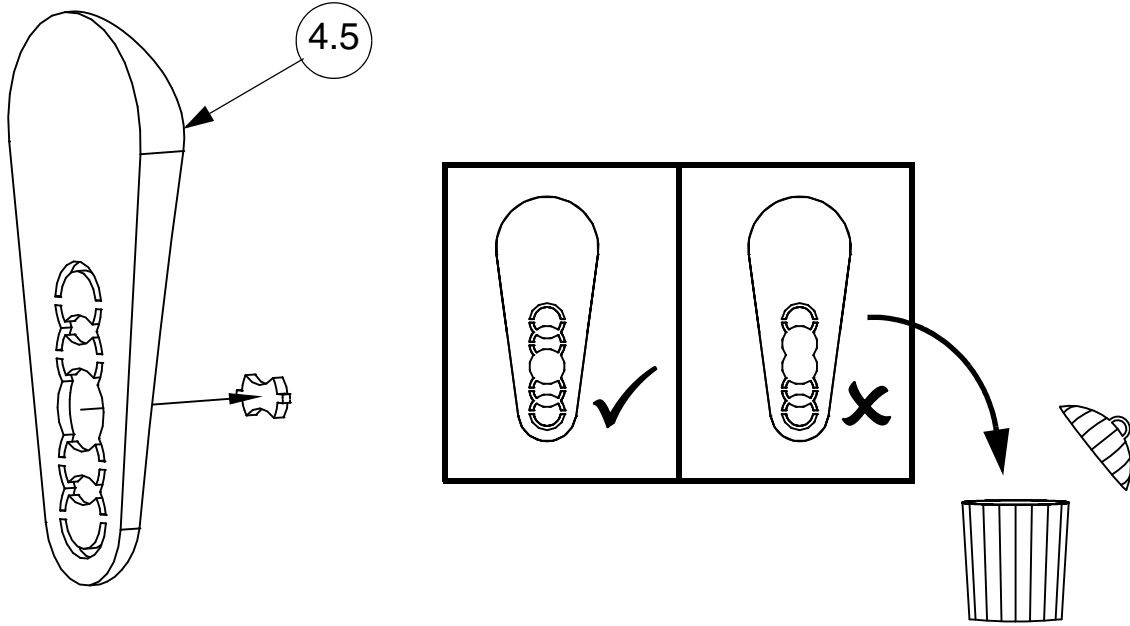


STEP 1

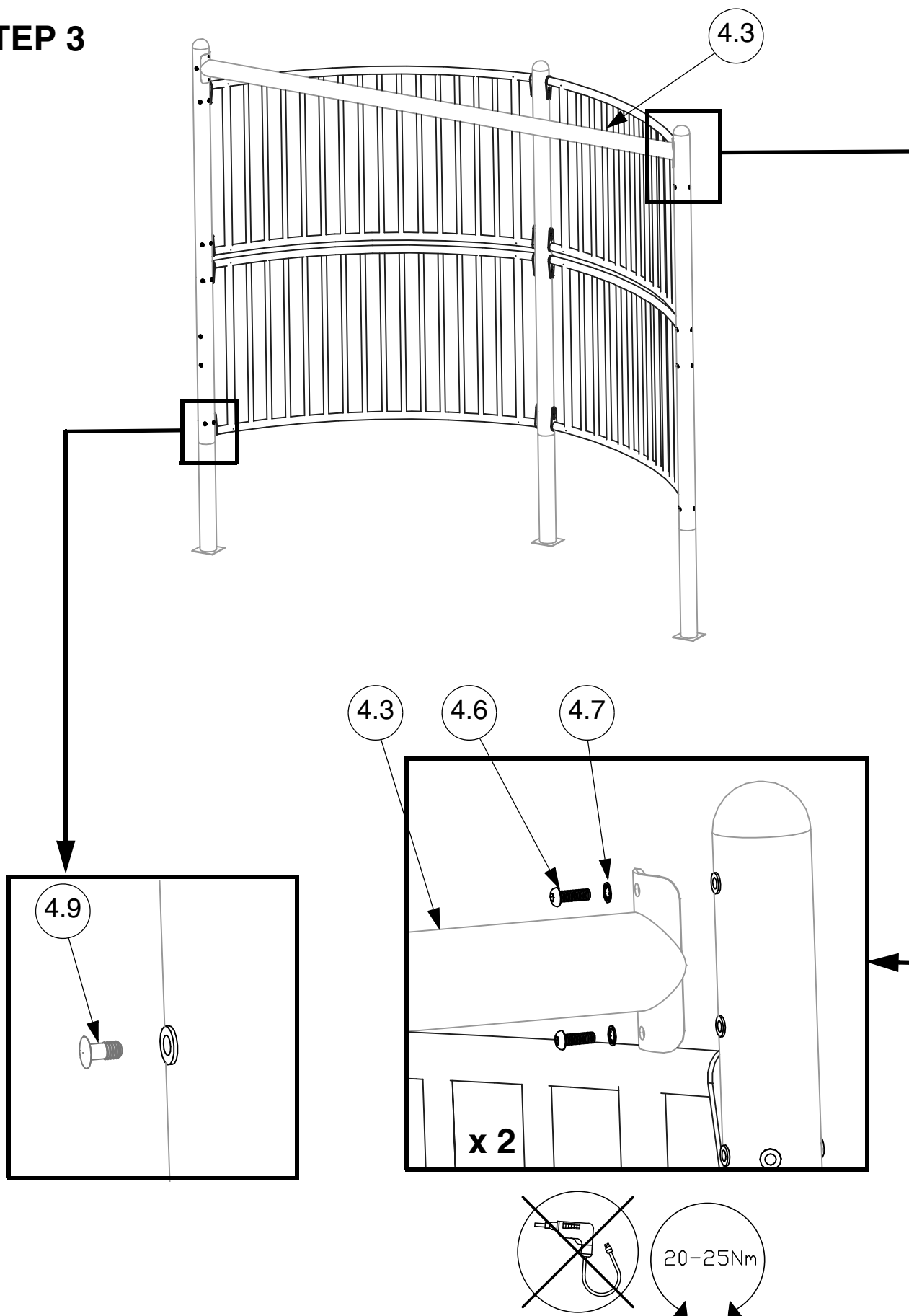


STEP 2

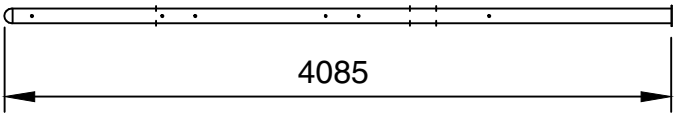
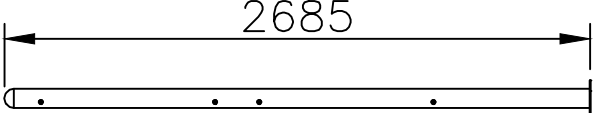
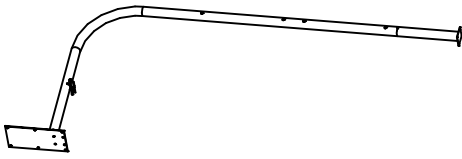
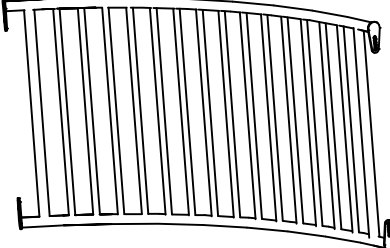
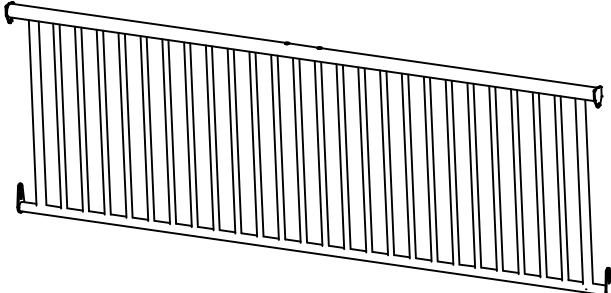
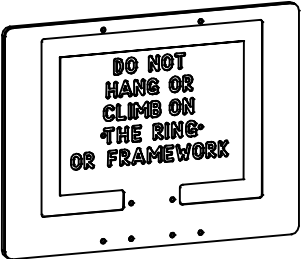
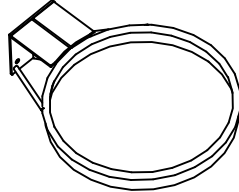


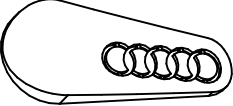
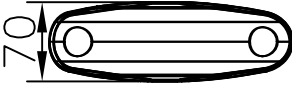
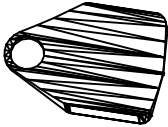
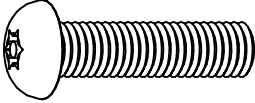
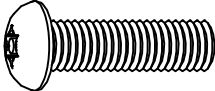
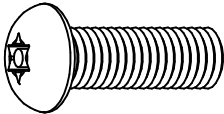
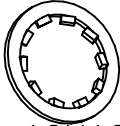
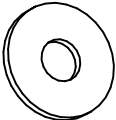
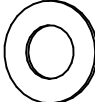
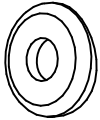


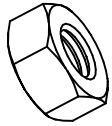
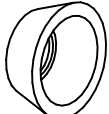
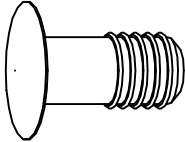
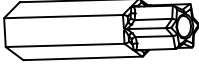
STEP 3

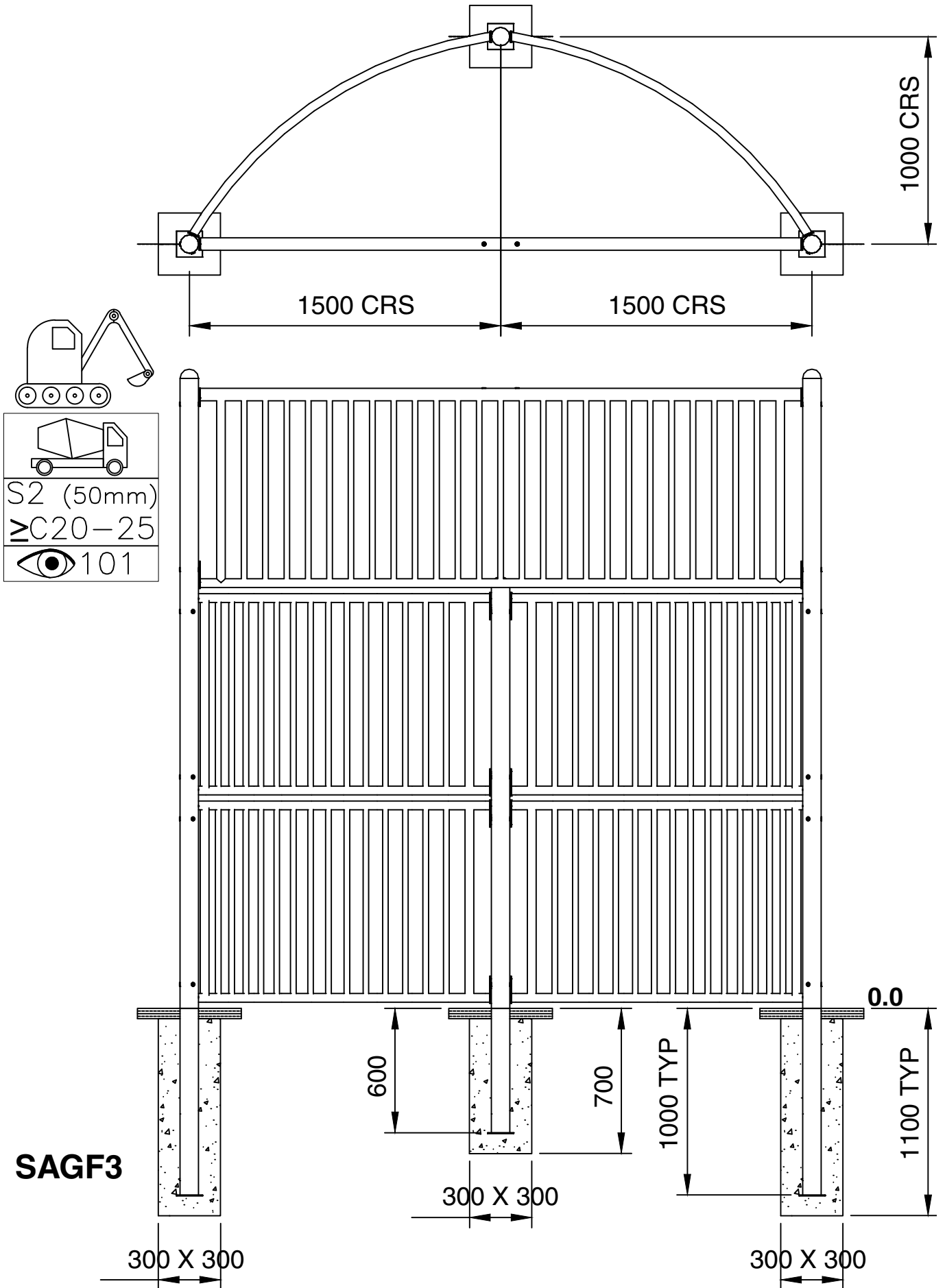


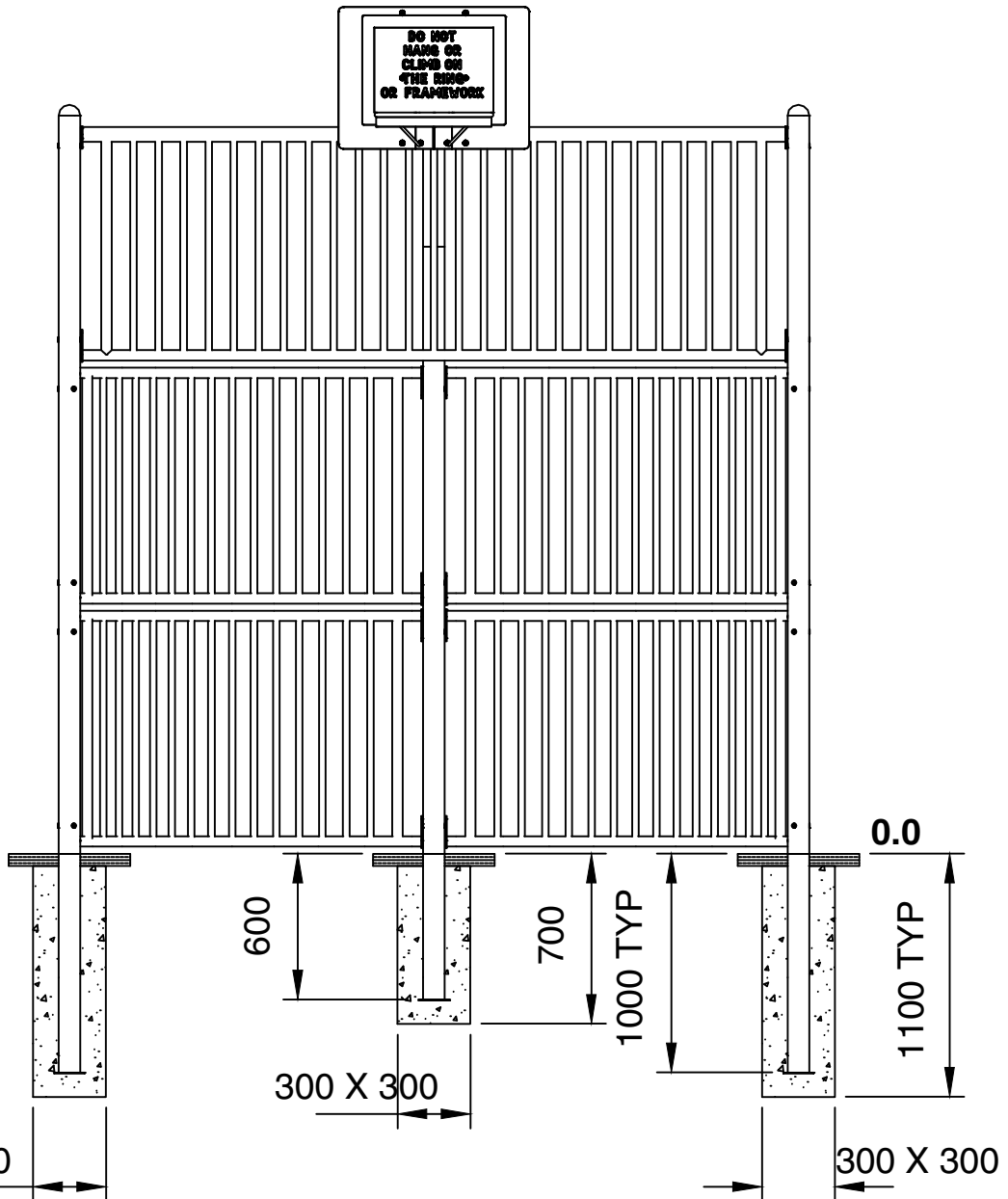
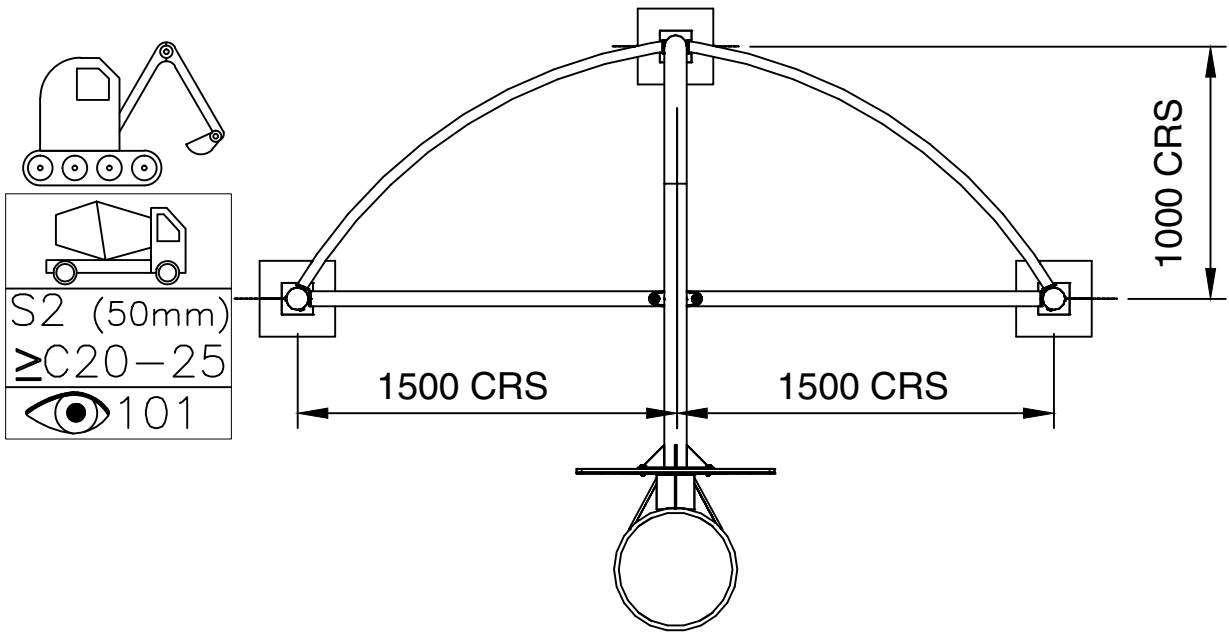
5 SAGF3 & SAGF3B

ITEM	CODE		SAGF3	SAGF3B	kg
5.1	24000134		2		34.00
5.2	24000105		1		21.00
	24000112			1	52.00
5.3	24000615		4		35.50
5.4	24000610		1		68.00
5.5	24000905			1	7.50
5.6	25000907			1	8.00

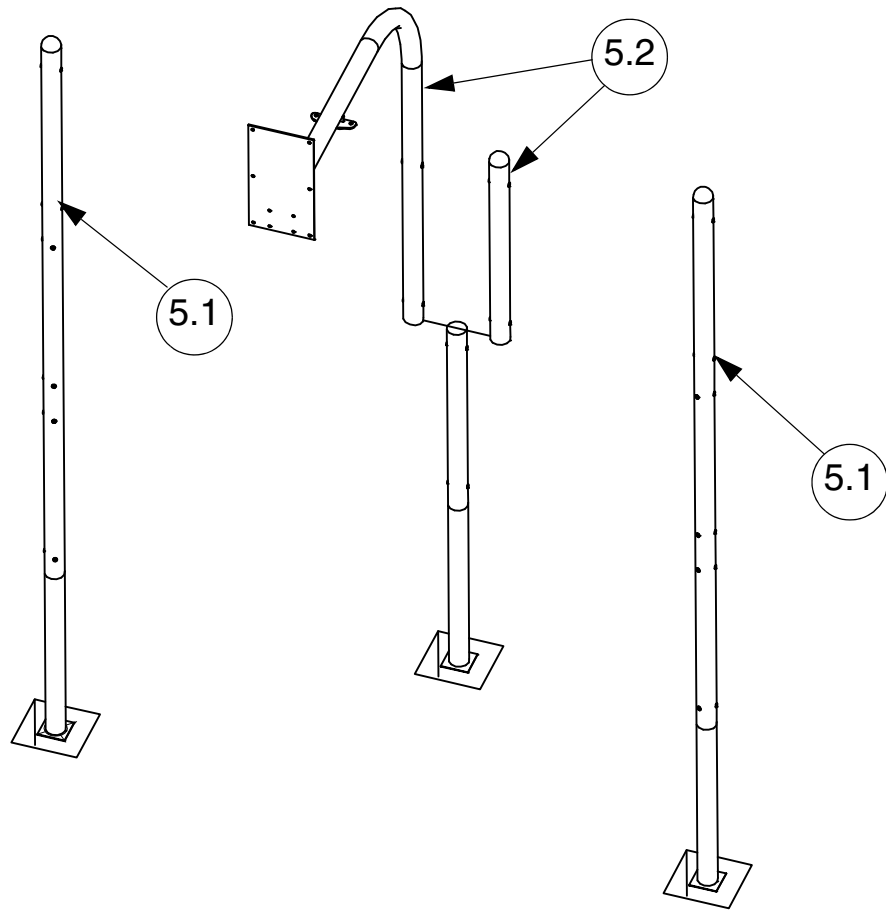
ITEM	CODE		SAGF3	SAGF3B	kg
5.7	19022401		18		0.010
5.8	19023803			1	0.050
5.9	19024503		2		0.020
5.10	10121040	 M10 X 40		6	0.037
5.11	10121035	 M10 X 35		6	0.032
5.12	10121030	 M10 X 30	20	26	0.028
5.13	10301000	 M10 12X18X1	20	40	0.002
5.14	10309999	 M10 11X30X2.5	18		0.011
5.15	10291000	 M10 11X21X1	2	4	0.002
5.16	38001019	 M10 12X32X6.5		2	0.002

ITEM	CODE		SAGF3	SAGF3B	kg
5.17	10271000	 M10		20	0.020
5.18	10411000	 M10		20	0.020
5.19	19024501		26	24	0.001
5.20	10121000	 T45 M10		1	

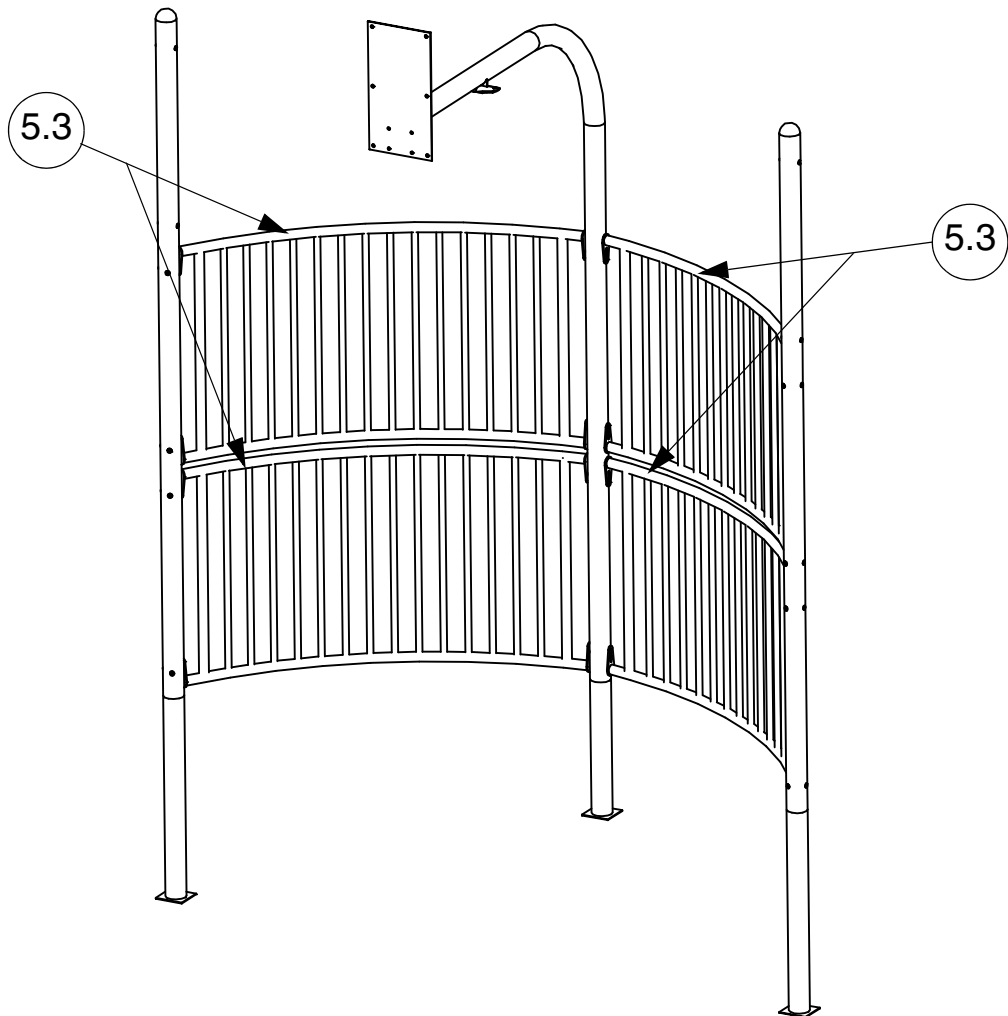


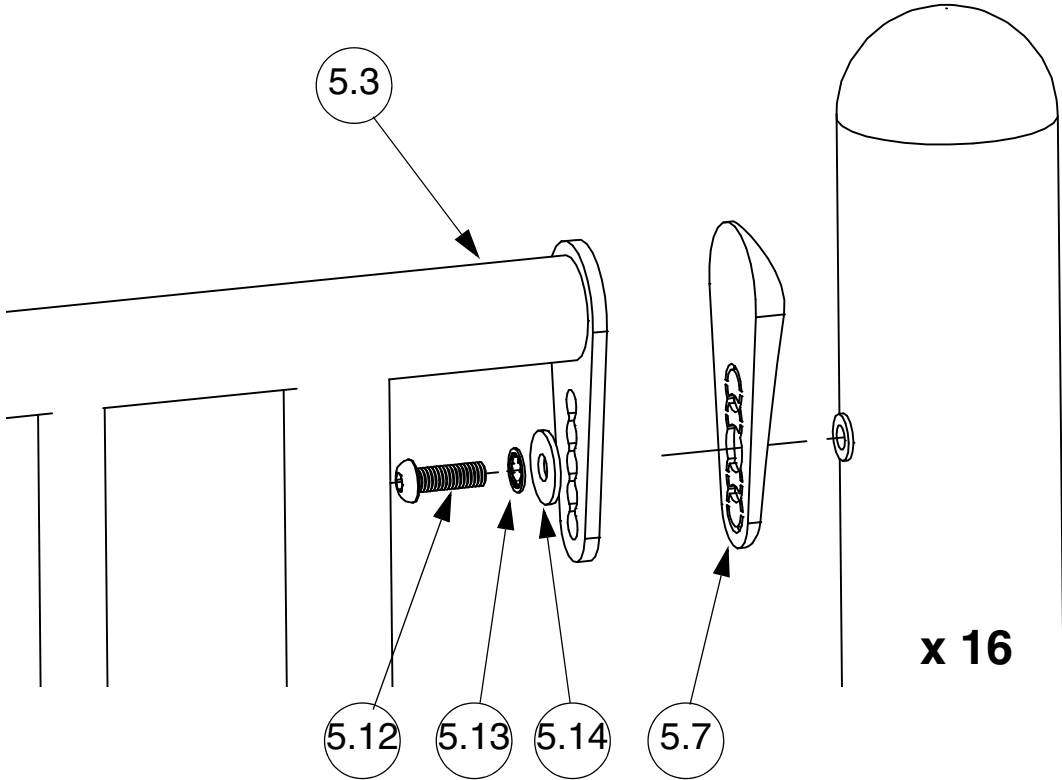
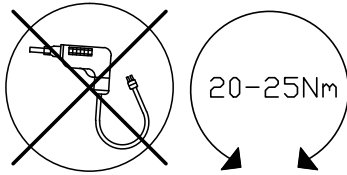
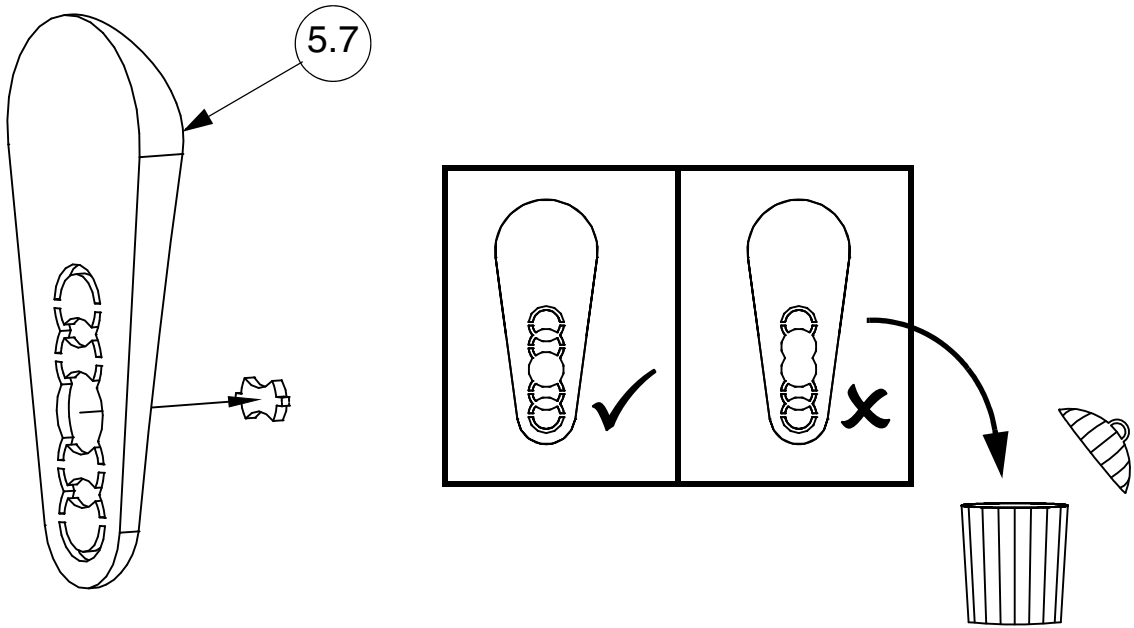


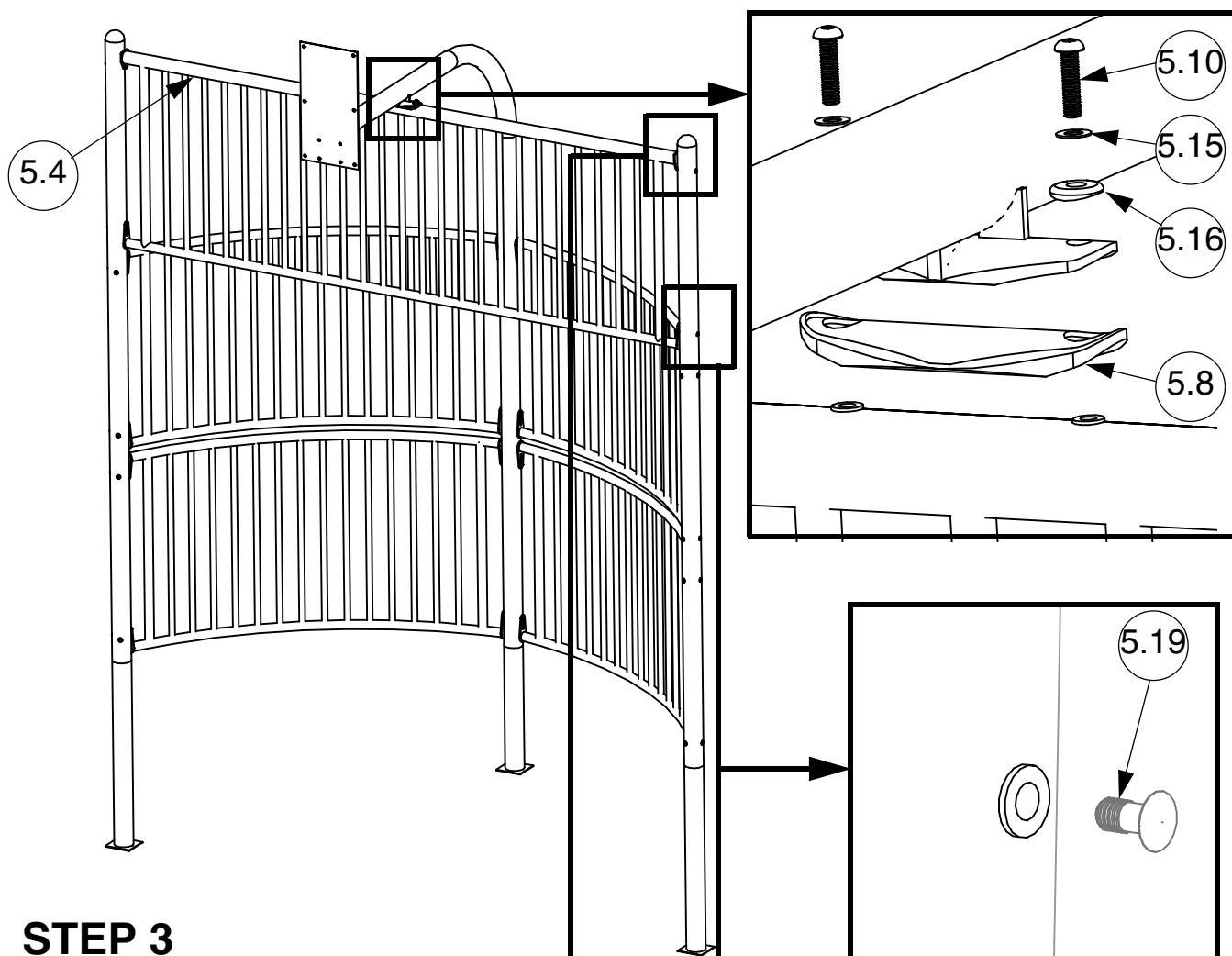
STEP 1



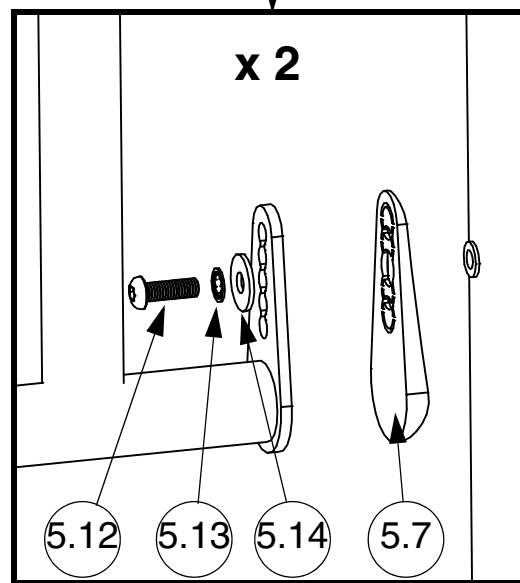
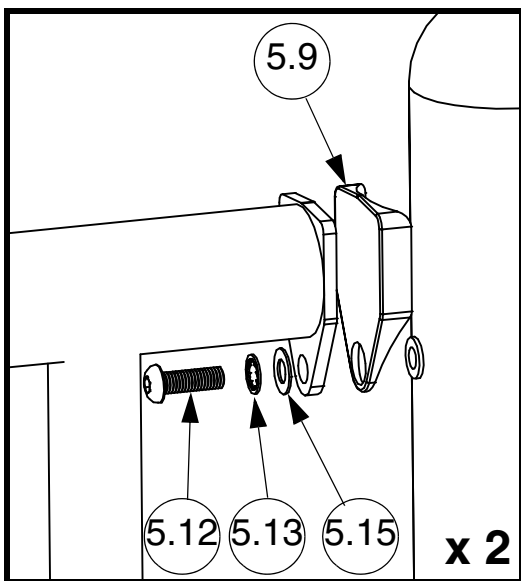
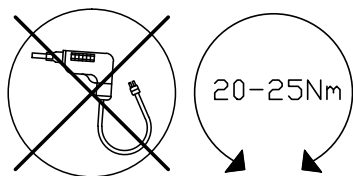
STEP 2

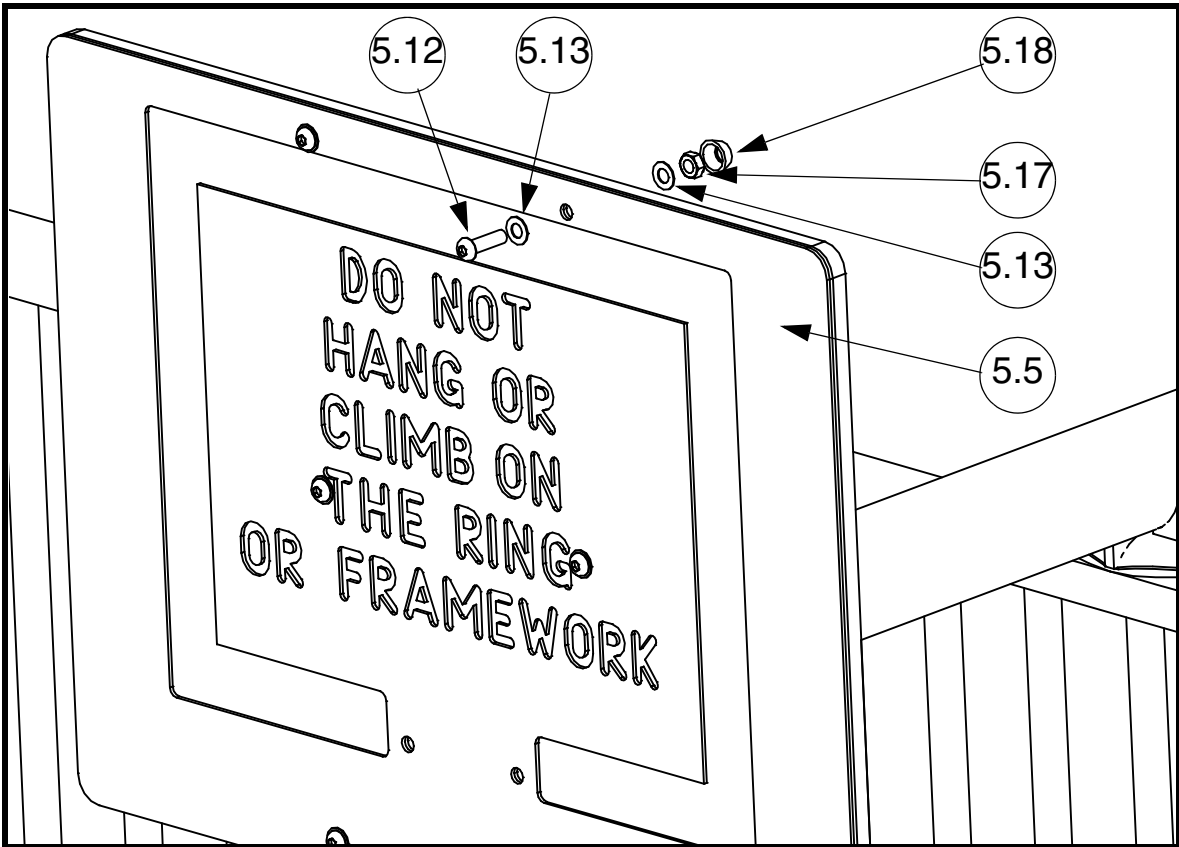




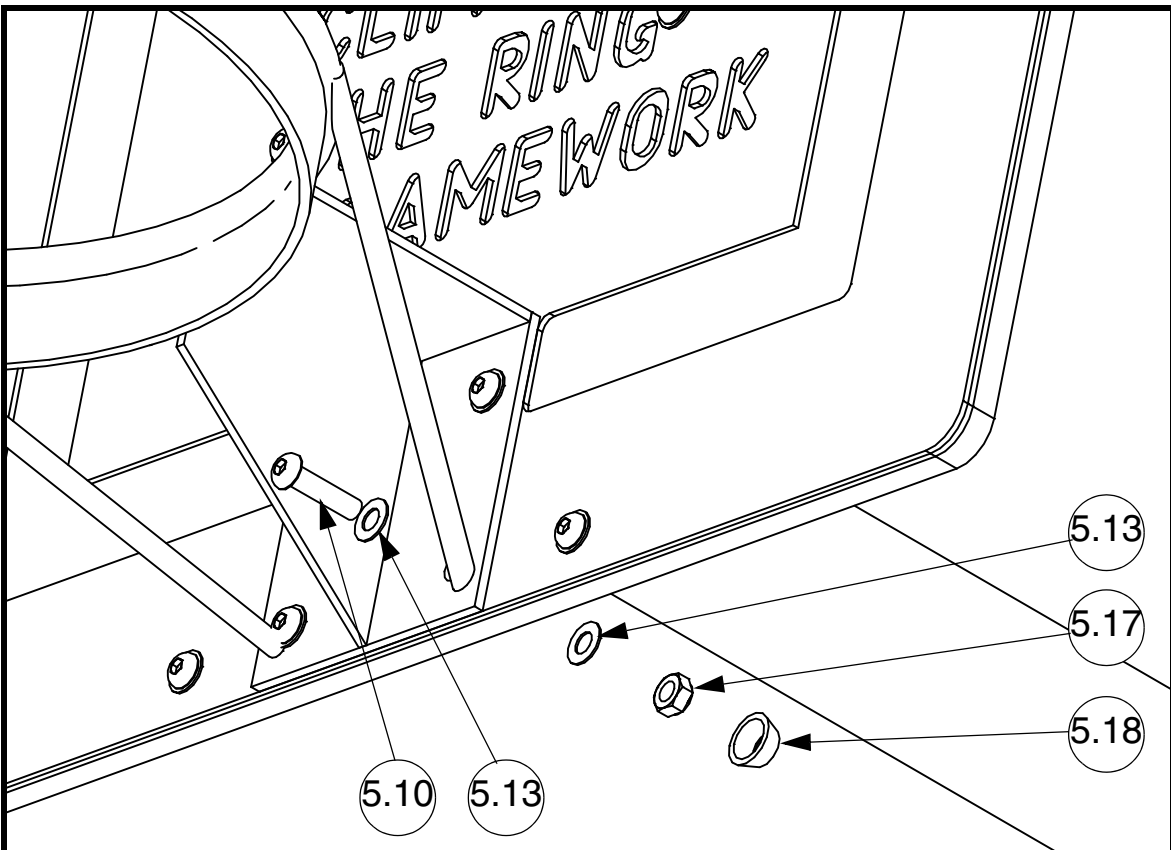
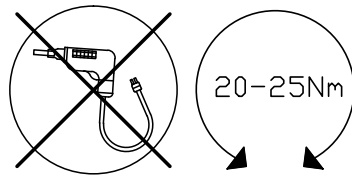


STEP 3





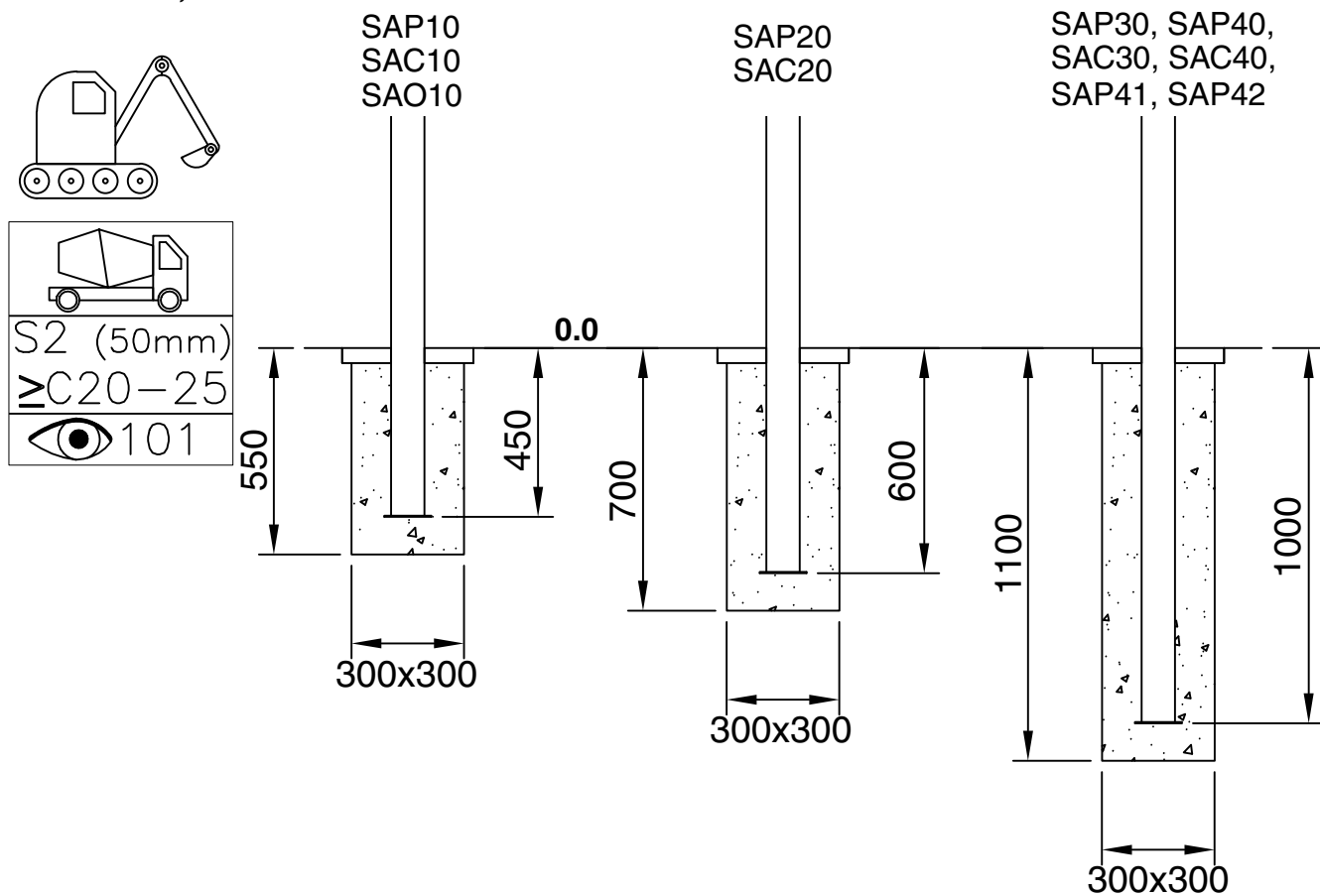
STEP 4



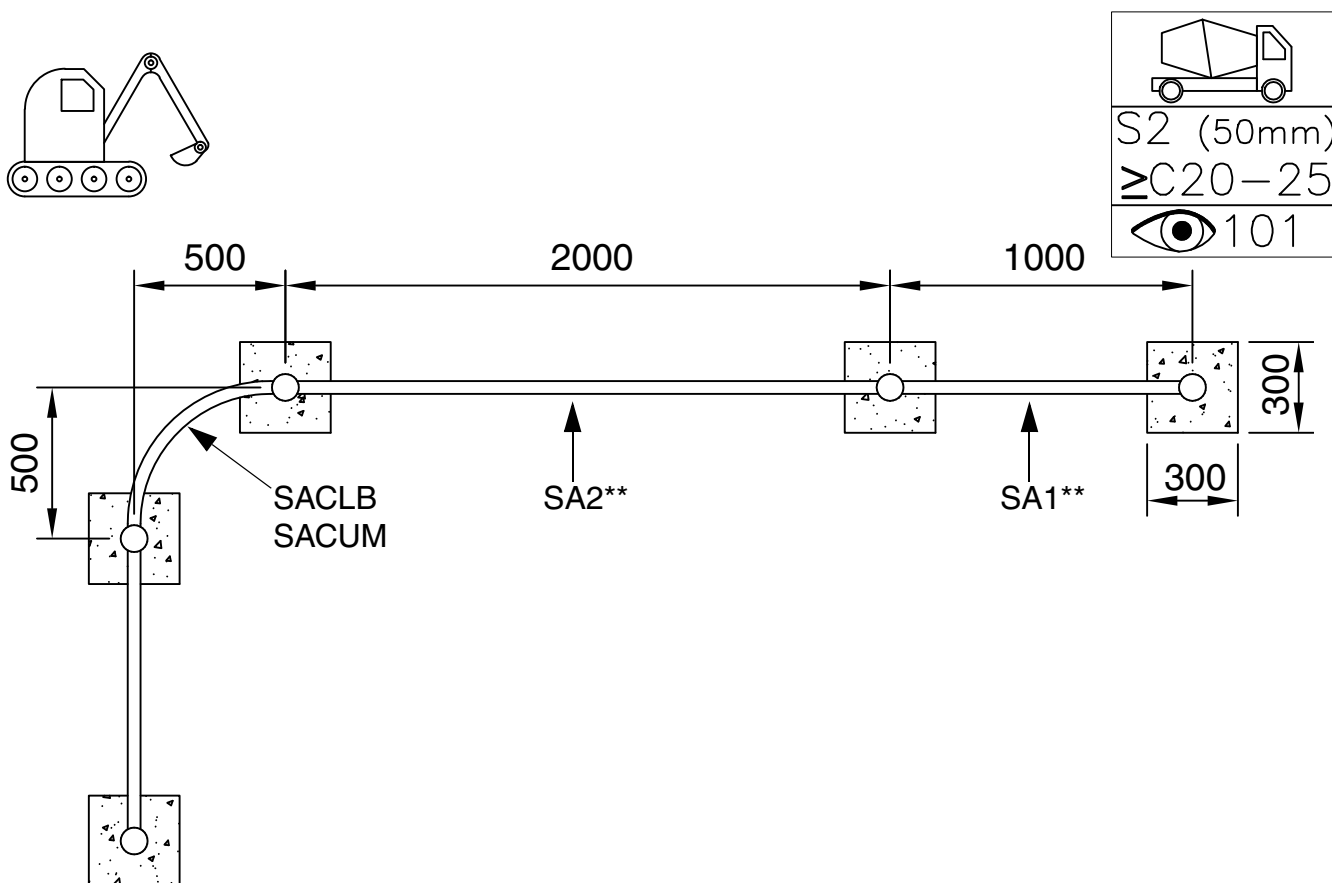
STEP 5

Section 2: EXCAVATION / AUSHUB / SCAVO / NEDGRÄVNINGSALTERNATIV

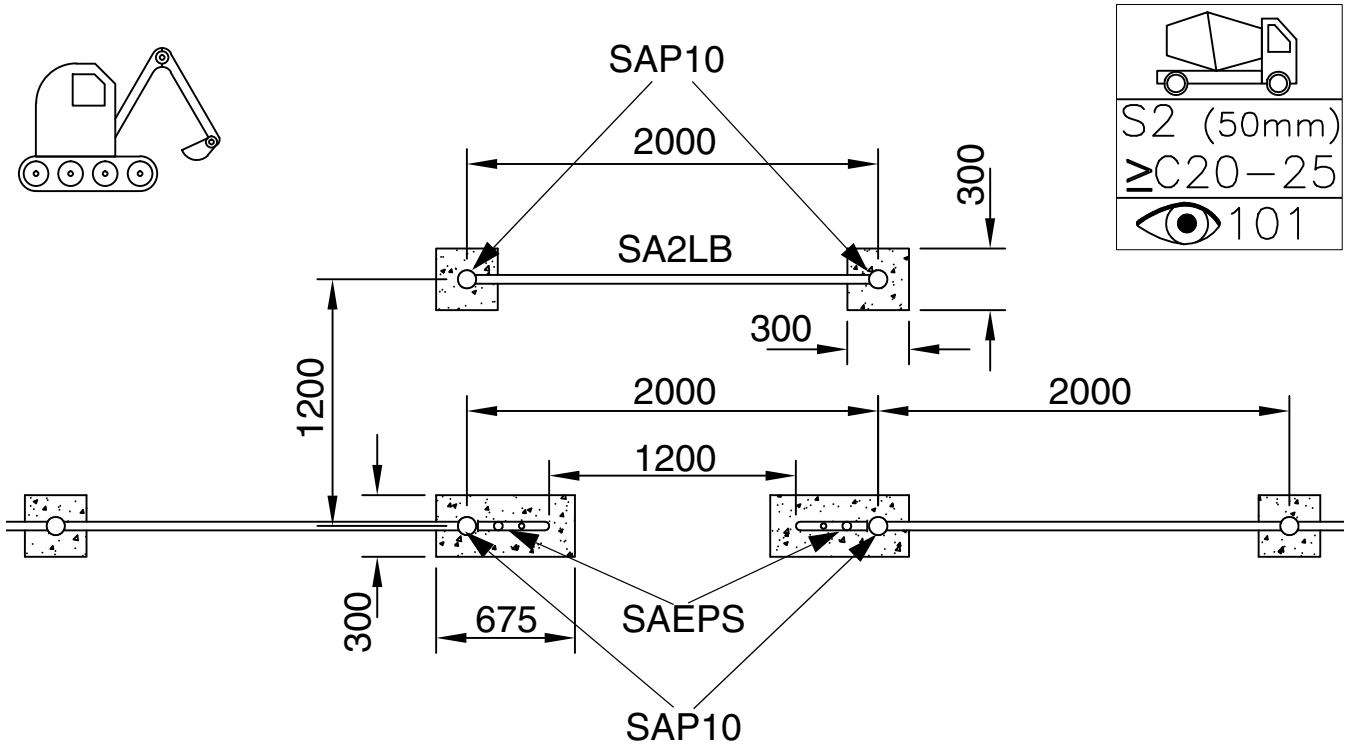
1 SAP** , SAC** & SAO10



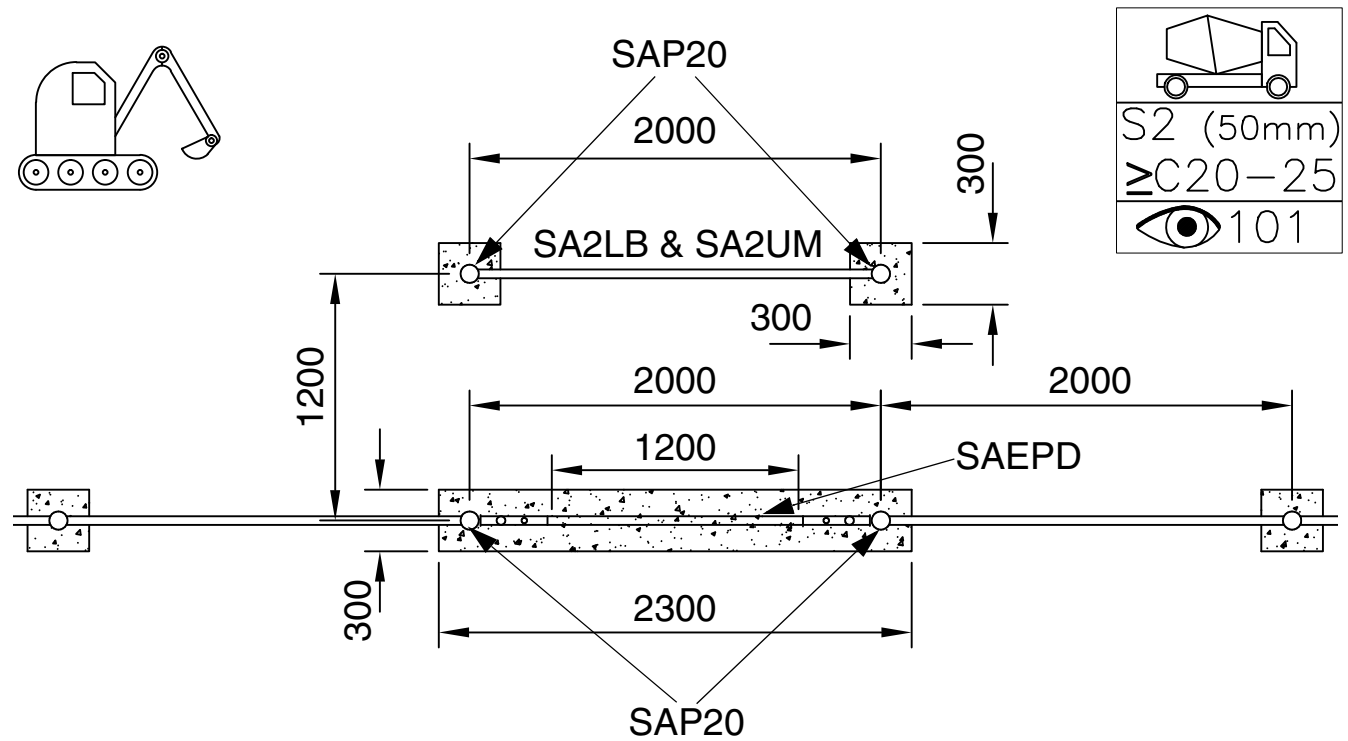
2 SACLB & SACUM



3 SAEPS

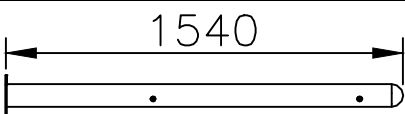


4 SAEPD

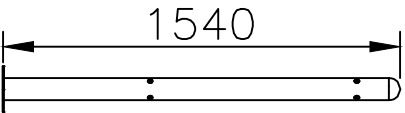


Section 3: POSTS / POTEAUX / PFOSTEN / PALI / STOLPAR

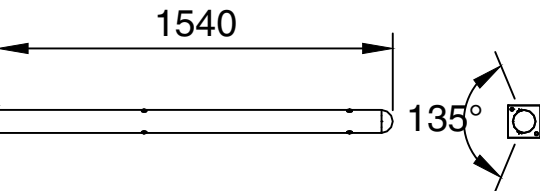
1 SAP10

ITEM	REF.		QTY	kg
1	24000103		1	15.000

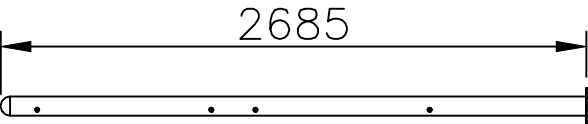
2 SAC10

ITEM	REF.		QTY	kg
1	24000104		1	15.000

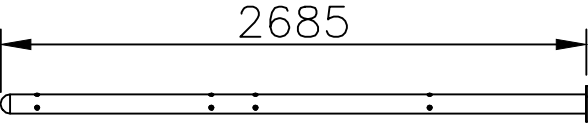
3 SAO10

ITEM	REF.		QTY	kg
1	24000130		1	15.000

4 SAP20

ITEM	REF.		QTY	kg
1	24000105		1	21.000

5 SAC20

ITEM	REF.		QTY	kg
1	24000106		1	21.000

6 SAP30

ITEM	REF.		QTY	kg
1	24000107		1	34.000

7 SAC30

ITEM	REF.		QTY	kg
1	24000108		1	34.000

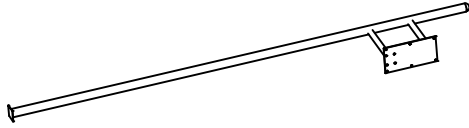
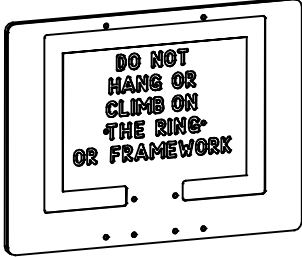
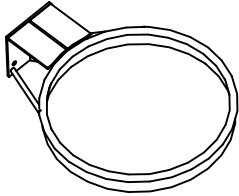
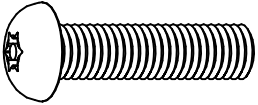
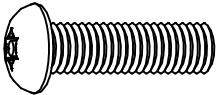
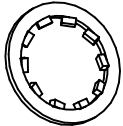
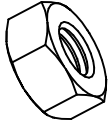
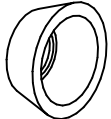
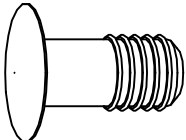
8 SAP40

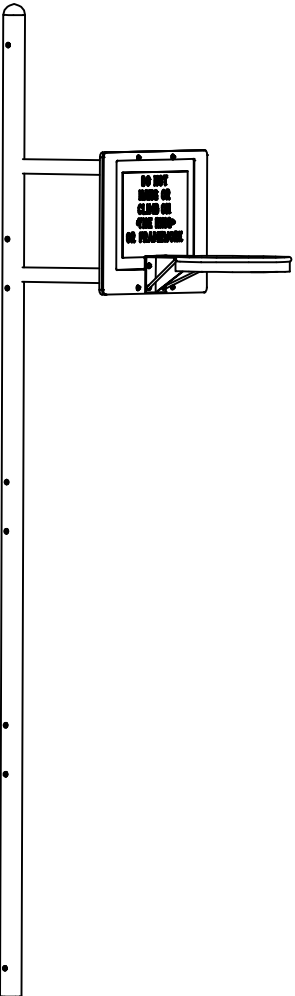
ITEM	REF.		QTY	kg
1	24000109		1	43.000

9 SAC40

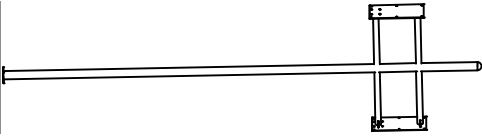
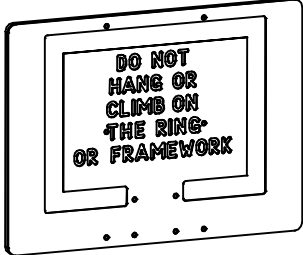
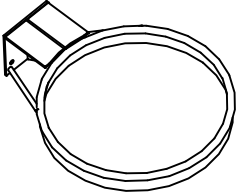
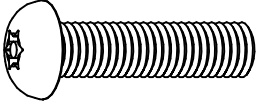
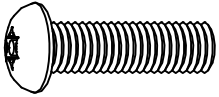
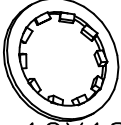

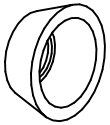
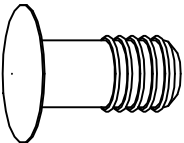
ITEM	REF.		QTY	kg
1	24000110		1	43.000

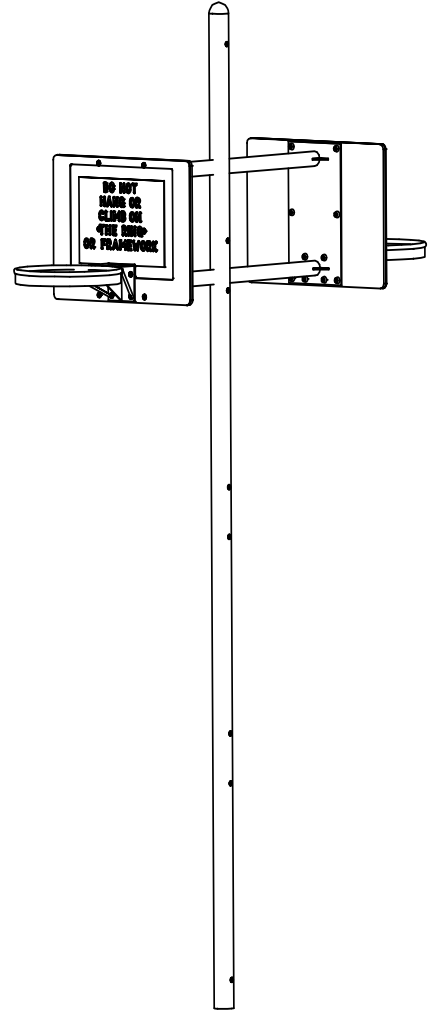
10 SAP41

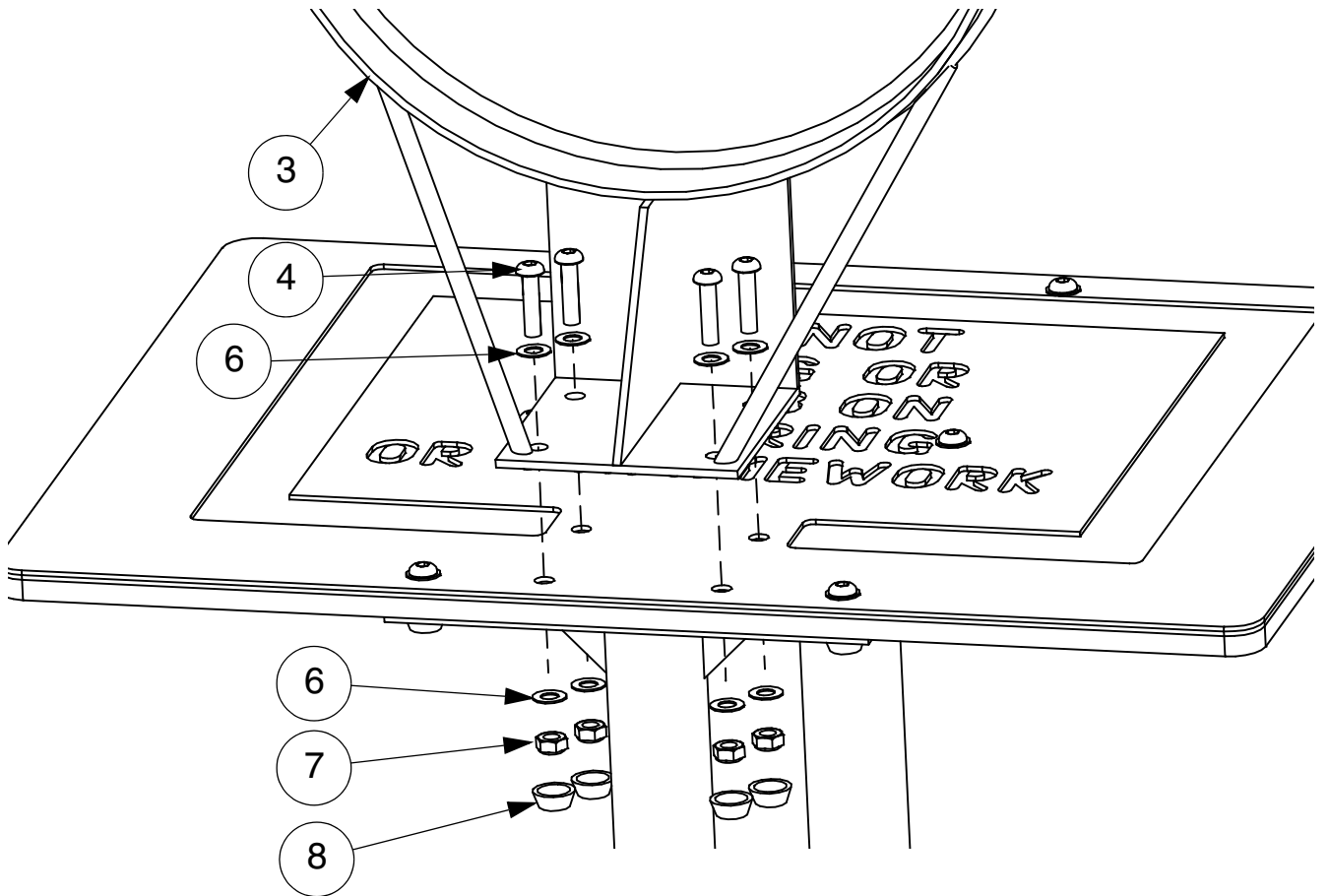
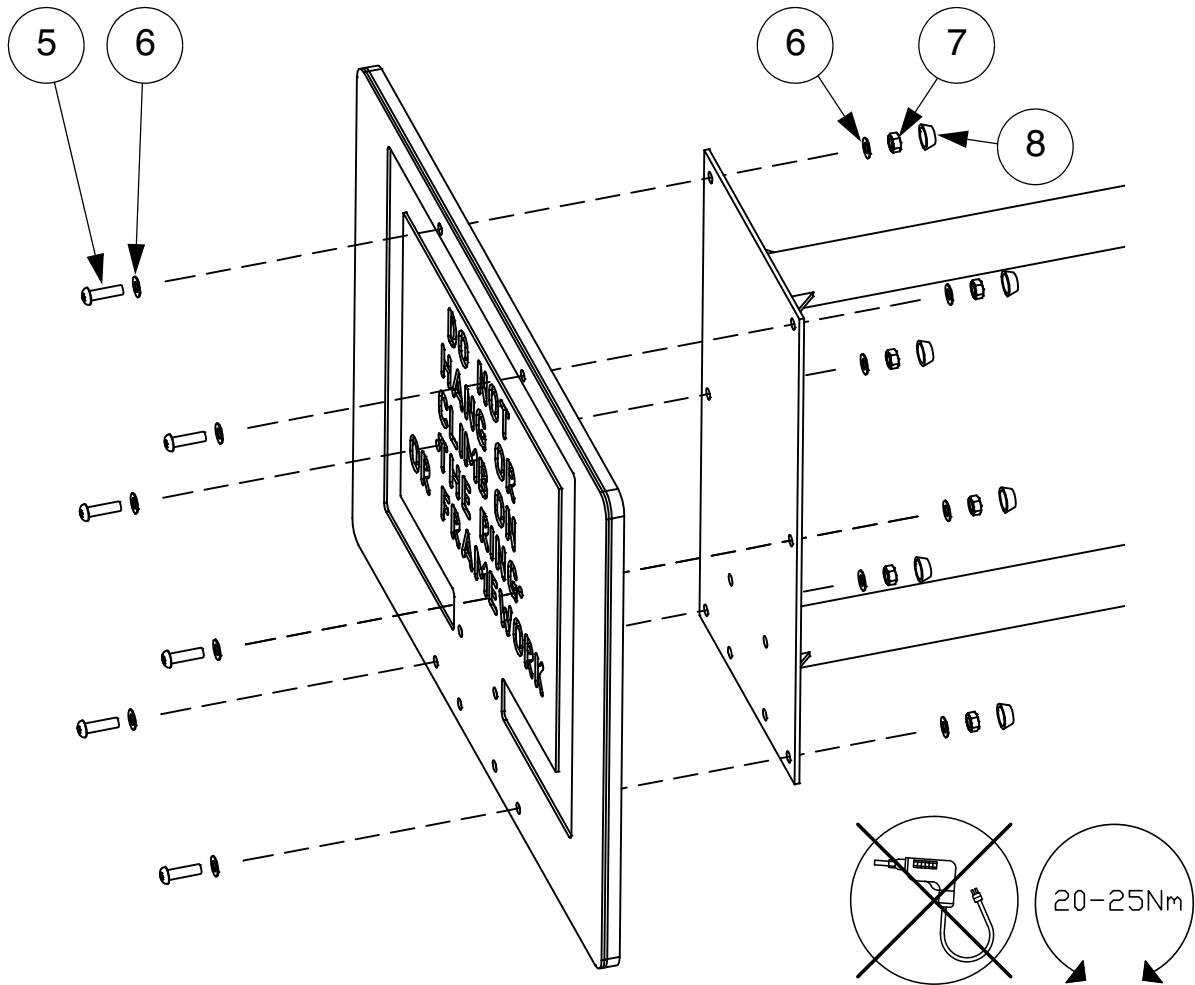
ITEM	REF.		QTY	kg
1	24000119		1	51.000
2	24000905		1	7.500
3	25000907		1	8.000
4	10121040	 M10 X 40	4	0.037
5	10121035	 M10 X 35	6	0.032
6	10301000	 M10 12X18X1	20	0.002
7	10271000	 M10	10	0.020
8	10411000	 M10	10	0.020
9	19024501		24	0.001

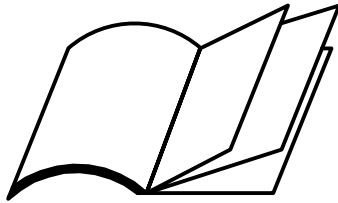


11 SAP42

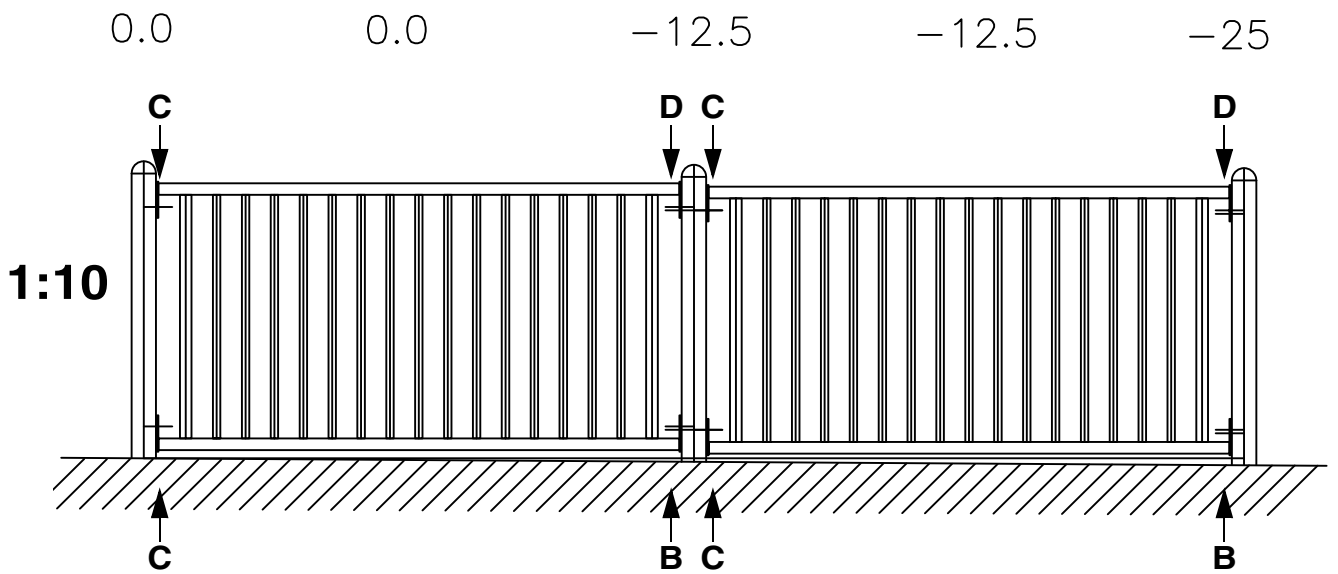
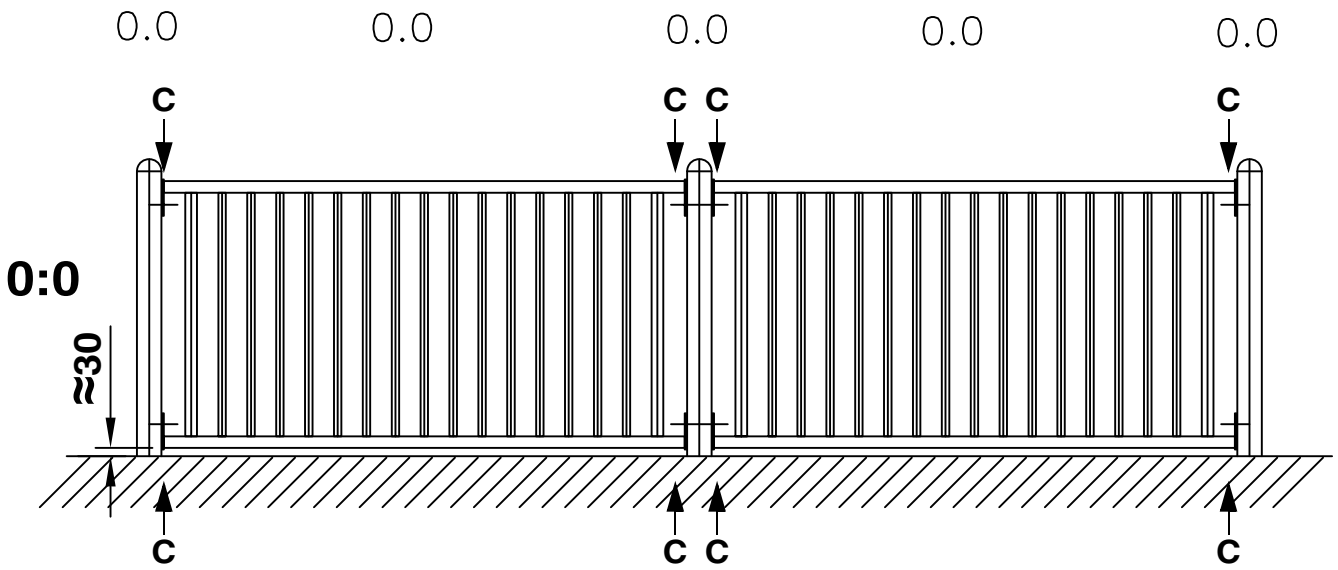
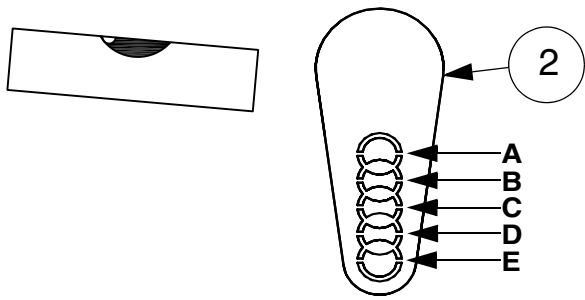
ITEM	REF.		QTY	kg
1	24000129		1	59.000
2	24000905		2	7.500
3	25000907		2	8.000
4	10121040	 M10 X 40	8	0.037
5	10121035	 M10 X 35	12	0.032
6	10301000	 M10 12X18X1	40	0.002
7	10271000	 M10	20	0.020
8	10411000	 M10	20	0.020
9	19024501		24	0.001

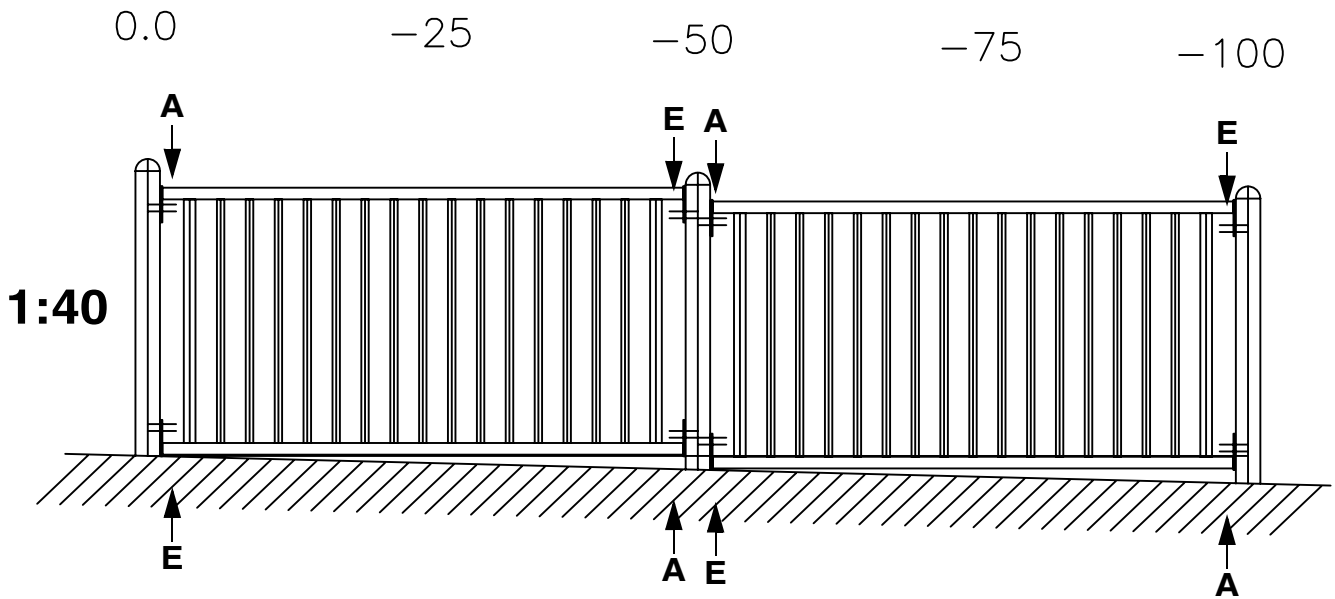
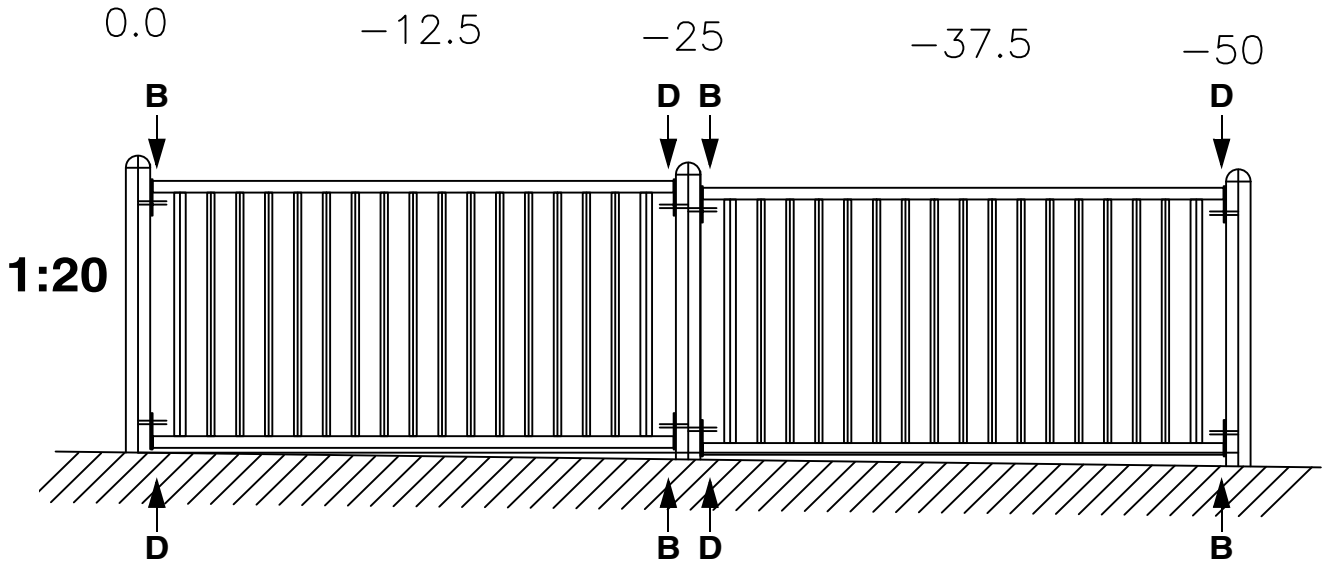
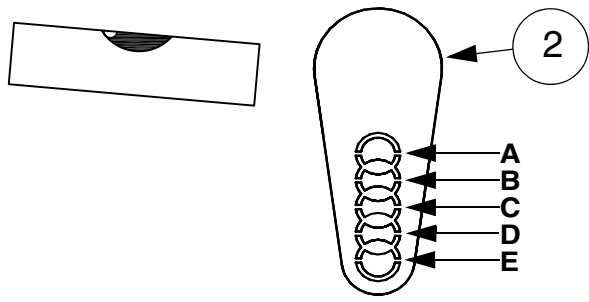




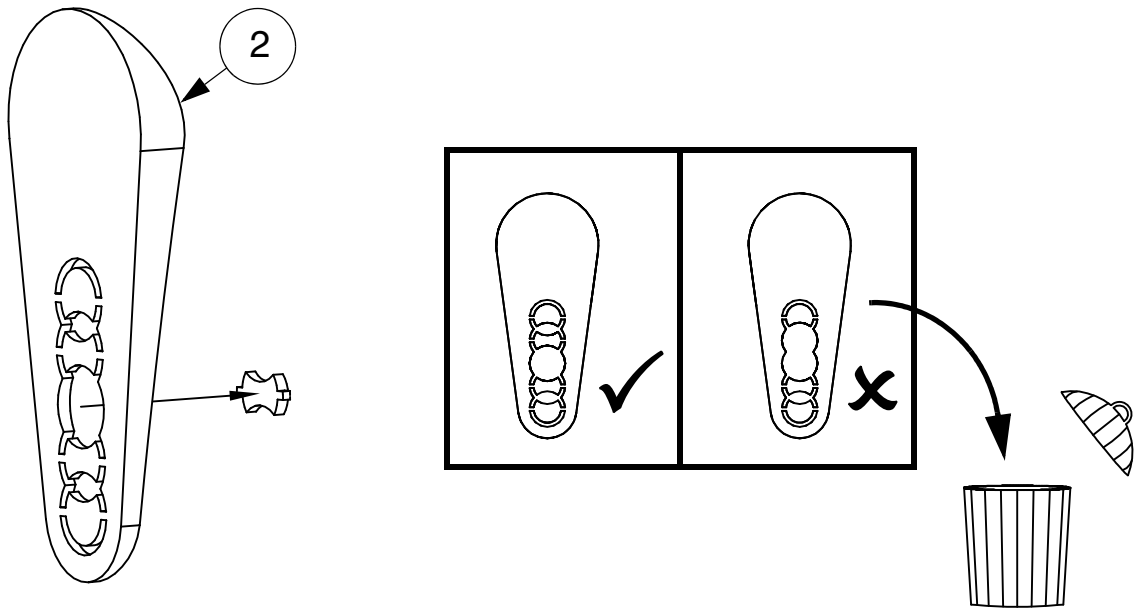


Section 4: PANELS / PANNEAUX / WANDELEMENTE / PANNELLI / SKÄRMAR

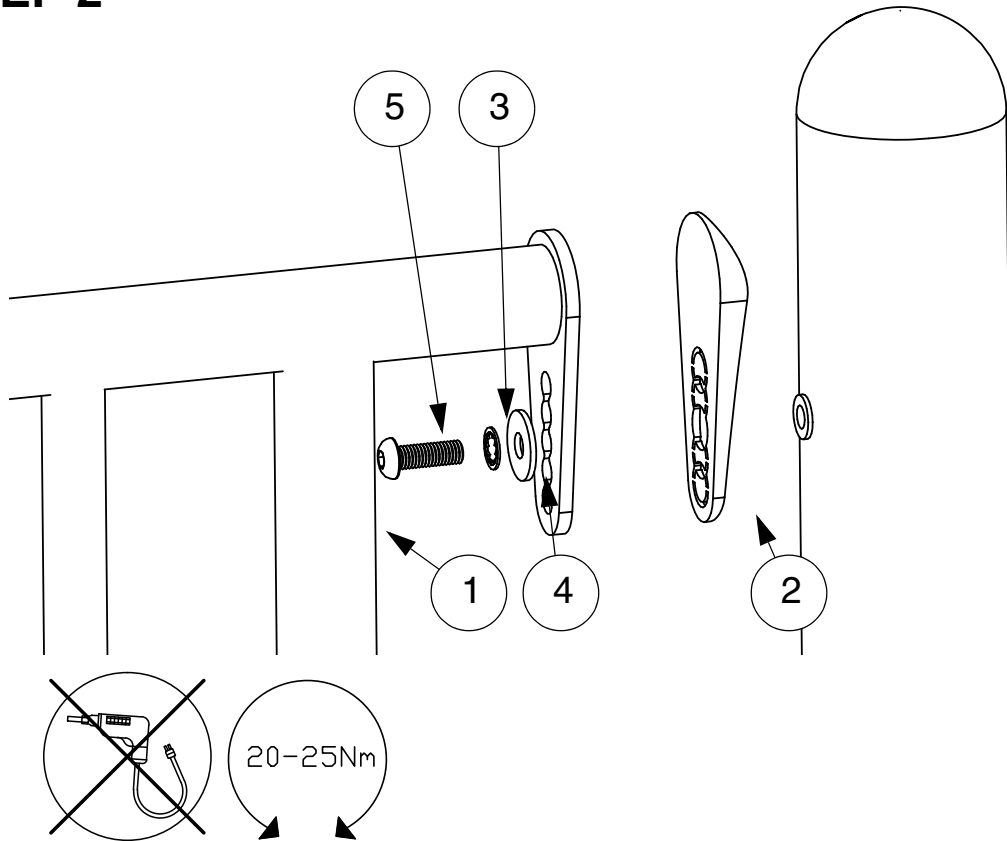




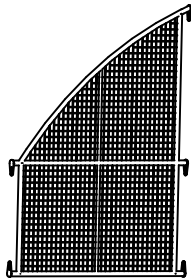
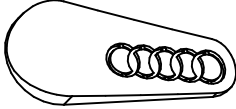
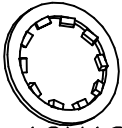
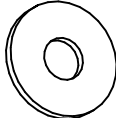
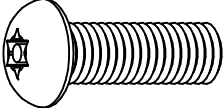
STEP 1



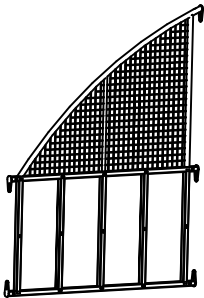
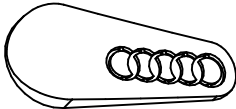
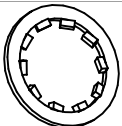
STEP 2

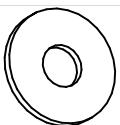
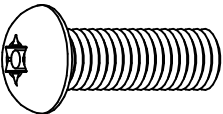


1 SAGAM

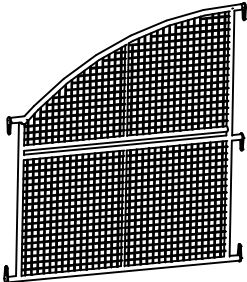
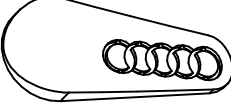
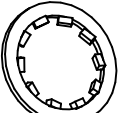
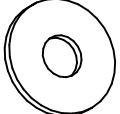
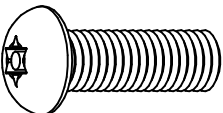
ITEM	REF		QTY	kg
1	24000407		1	47.000
2	19022401		5	0.010
3	10301000	 M10 12X18X1	5	0.002
4	10309999	 M10 11X30X2.5	5	0.011
5	10121030	 M10 X 30	5	0.028

2 SAGAP

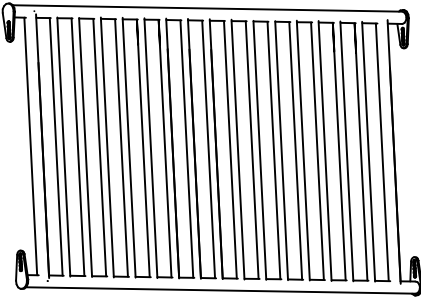
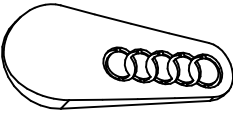
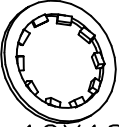
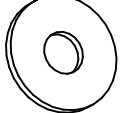
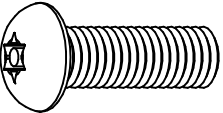
ITEM	REF		QTY	kg
1	24000409		1	47.000
2	19022401		5	0.010
3	10301000	 M10 12X18X1	5	0.002

ITEM	REF		QTY	kg
4	10309999	 M10 11X30X2.5	5	0.011
5	10121030	 M10 X 30	5	0.028

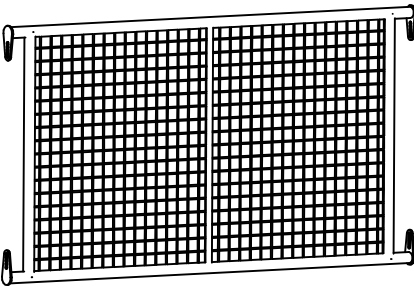
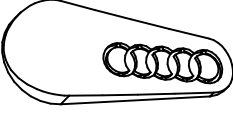
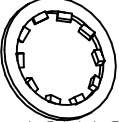
3 SA4AM

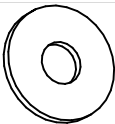
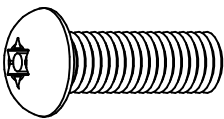
ITEM	REF		QTY	kg
1	24000411		1	54.000
2	19022401		5	0.010
3	10301000	 M10 12X18X1	5	0.002
4	10309999	 M10 11X30X2.5	5	0.011
5	10121030	 M10 X 30	5	0.028

4 SA2LB

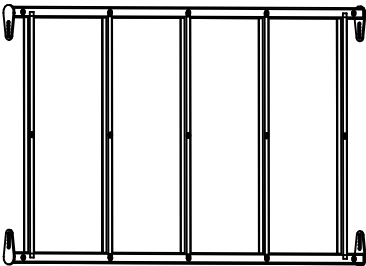

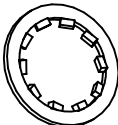
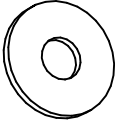
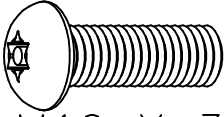
ITEM	REF		QTY	kg
1	24000602		1	39.000
2	19022401		4	0.010
3	10301000	 M10 12X18X1	4	0.002
4	10309999	 M10 11X30X2.5	4	0.011
5	10121030	 M10 X 30	4	0.028

5 SA2UM

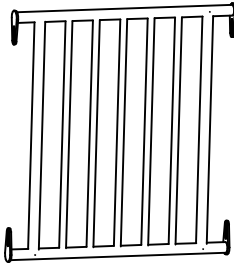

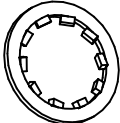
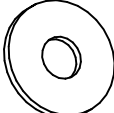
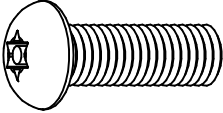
ITEM	REF		QTY	kg
1	24000503		1	31.000
2	19022401		4	0.010
3	10301000	 M10 12X18X1	4	0.002

ITEM	REF		QTY	kg
4	10309999	 M10 11X30X2.5	4	0.011
5	10121030	 M10 X 30	4	0.028

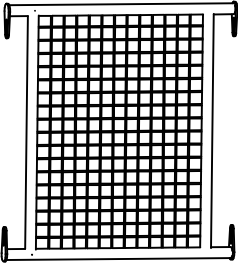

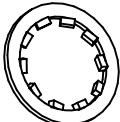
6 SA2LR

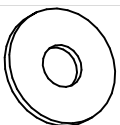
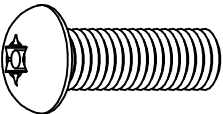
ITEM	REF		QTY	kg
1	24000603		1	28.000
2	19022401		4	0.010
3	10301000	 M10 12X18X1	4	0.002
4	10309999	 M10 11X30X2.5	4	0.011
5	10121030	 M10 X 30	4	0.028

7 SA1LB

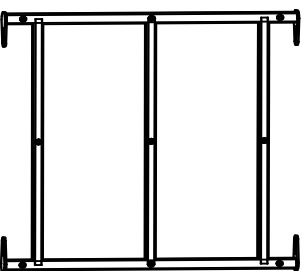
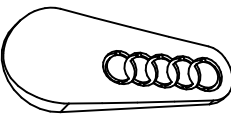
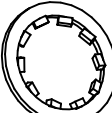
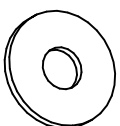
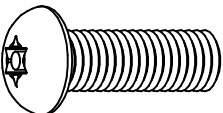
ITEM	REF		QTY	kg
1	24000601		1	23.000
2	19022401		4	0.010
3	10301000	 M10 12X18X1	4	0.002
4	10309999	 M10 11X30X2.5	4	0.011
5	10121030	 M10 X 30	4	0.028

8 SA1UM

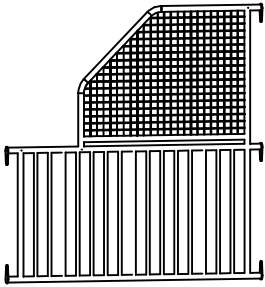
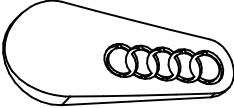
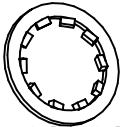
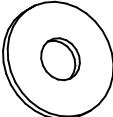
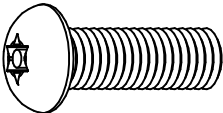
ITEM	REF		QTY	kg
1	24000501		1	15.000
2	19022401		4	0.010
3	10301000	 M10 12X18X1	4	0.002

ITEM	REF		QTY	kg
4	10309999	 M10 11X30X2.5	4	0.011
5	10121030	 M10 X 30	4	0.028

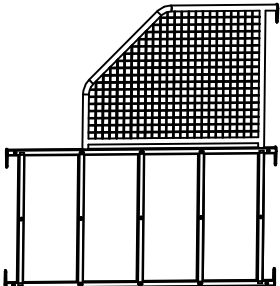

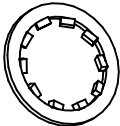
9 SA1LR

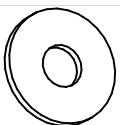
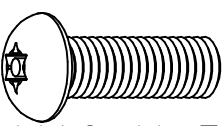
ITEM	REF		QTY	kg
1	24000605		1	21.000
2	19022401		4	0.010
3	10301000	 M10 12X18X1	4	0.002
4	1030999	 M10 11X30X2.5	4	0.011
5	10121030	 M10 X 30	4	0.028

10 SASBM

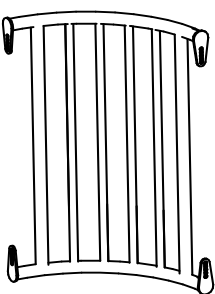
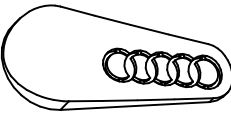
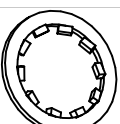
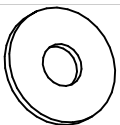
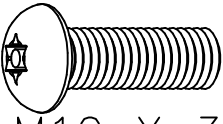
ITEM	REF		QTY	kg
1	24000701		1	59.000
2	19022401		5	0.010
3	10301000	 M10 12X18X1	5	0.002
4	10309999	 M10 11X30X2.5	5	0.011
5	10121030	 M10 X 30	5	0.028

11 SASBR

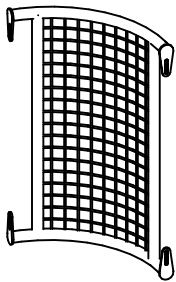
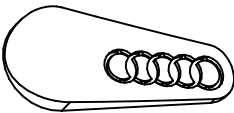
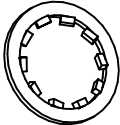
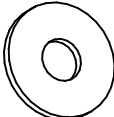
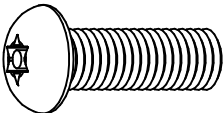
ITEM	REF		QTY	kg
1	24000702		1	47.000
2	19022401		5	0.010
3	10301000	 M10 12X18X1	5	0.002

ITEM	REF		QTY	kg
4	10309999	 M10 11X30X2.5	5	0.011
5	10121030	 M10 X 30	5	0.028

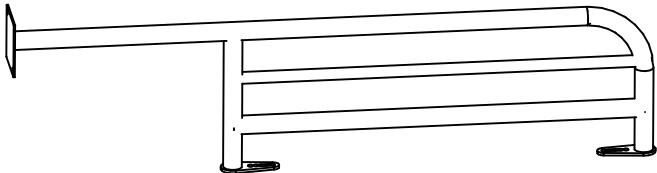
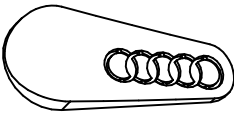
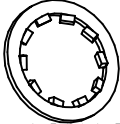
12 SACLB

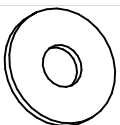
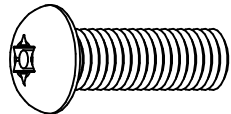
ITEM	REF		QTY	kg
1	24000703		1	15.000
2	19022401		4	0.010
3	10301000	 M10 12X18X1	4	0.002
4	10309999	 M10 11X30X2.5	4	0.011
5	10121030	 M10 X 30	4	0.028

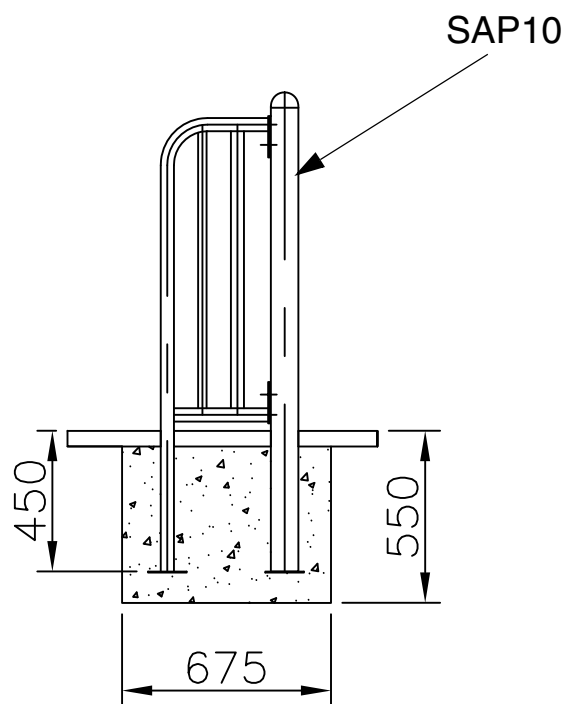
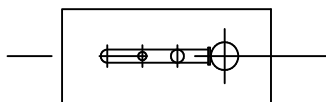
13 SACUM

ITEM	REF		QTY	kg
1	24000705		1	13.000
2	19022401		4	0.010
3	10301000	 M10 12X18X1	4	0.002
4	10309999	 M10 11X30X2.5	4	0.011
5	10121030	 M10 X 30	4	0.028

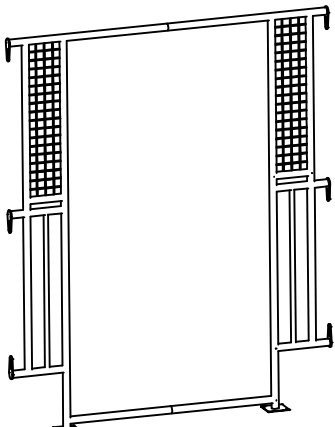
14 SAEPS

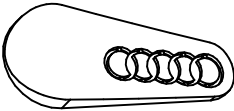
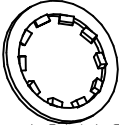
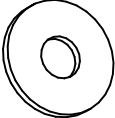
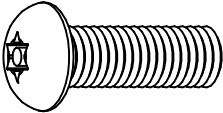
ITEM	REF		QTY	kg
1	24000606		1	13.000
2	19022401		2	0.010
3	10301000	 M10 12X18X1	2	0.002

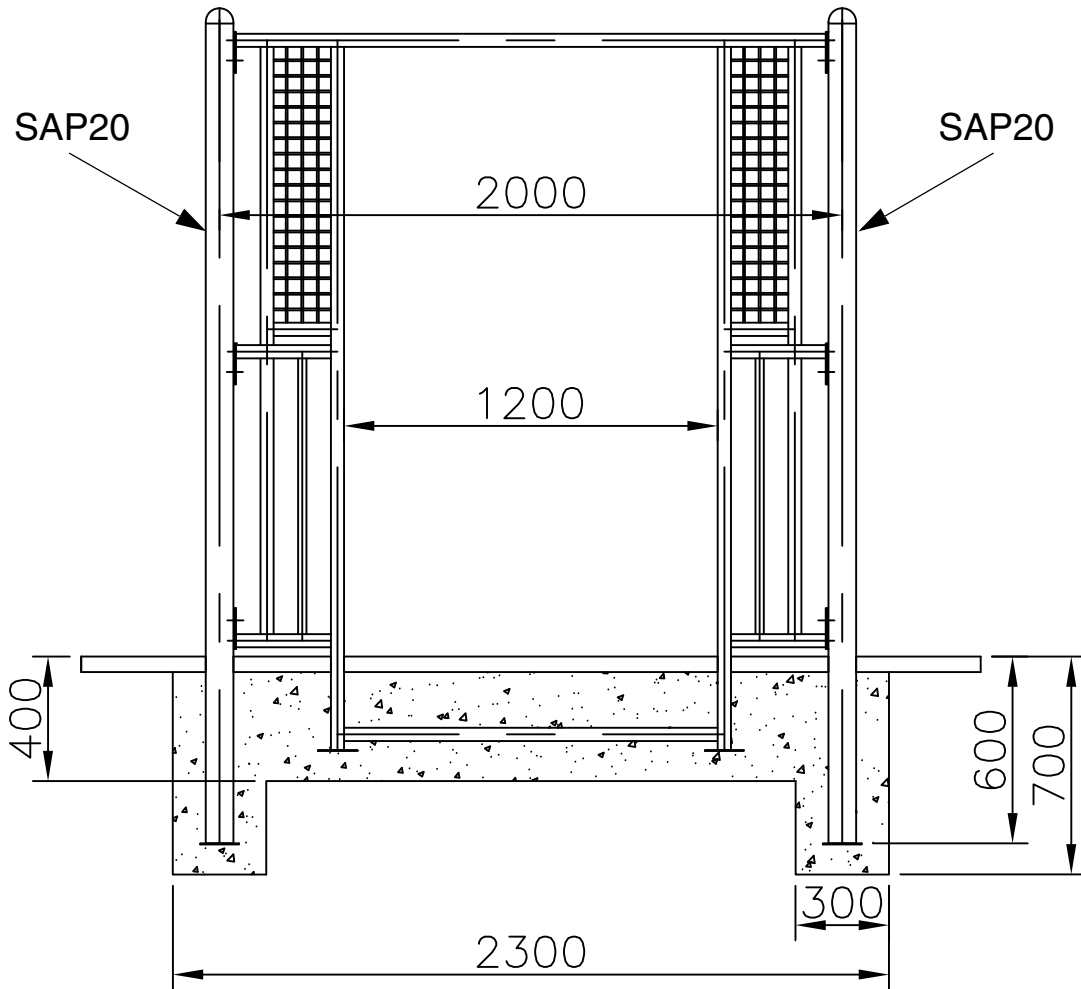
ITEM	REF		QTY	kg
4	10309999	 M10 11X30X2.5	2	0.011
5	10121030	 M10 X 30	2	0.028



15 SAEPD

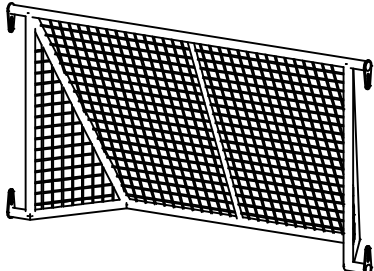
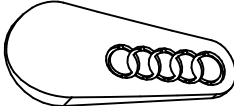
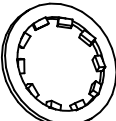
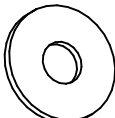
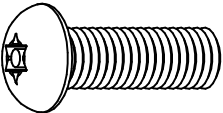
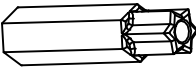
ITEM	REF		QTY	kg
1	24000607		1	50.000

ITEM	REF		QTY	kg
2	19022401		6	0.010
3	10301000	 M10 12X18X1	6	0.002
4	10309999	 M10 11X30X2.5	6	0.011
5	10121030	 M10 X 30	6	0.028

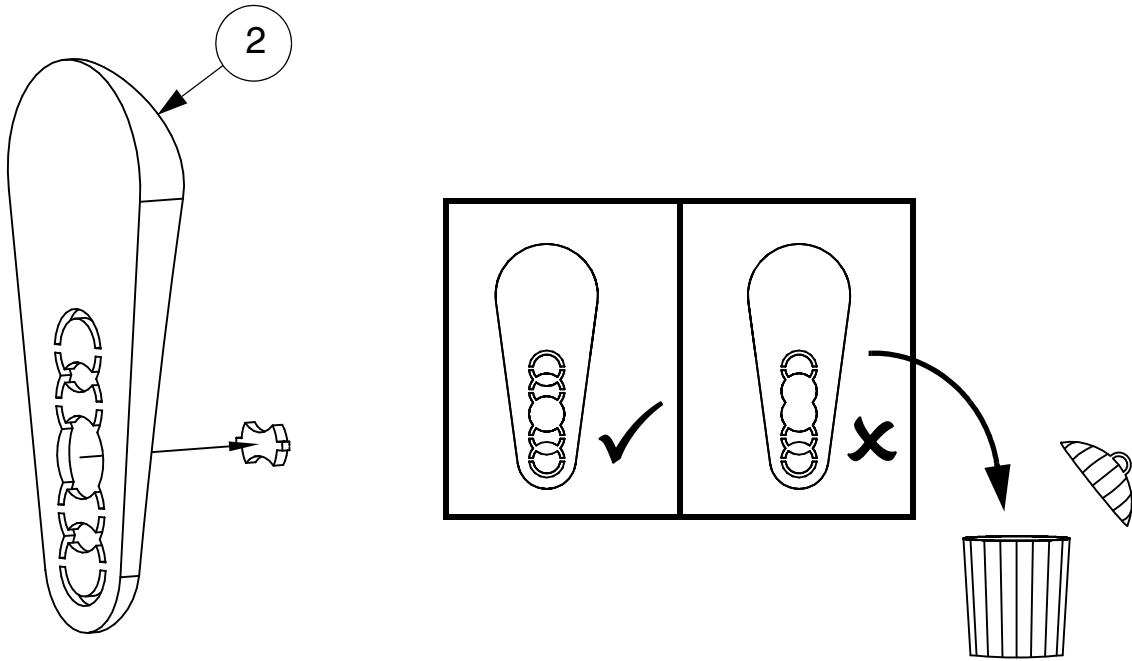


Section 5: MINI GOAL & SEATS / MINI-BUTS & PLACES ASSISES / MINI TORE & SITZGELEGENHEITEN / MINI PORTE DA CALCETTO & SEDUTE / MINIMÅL & BÄNKAR

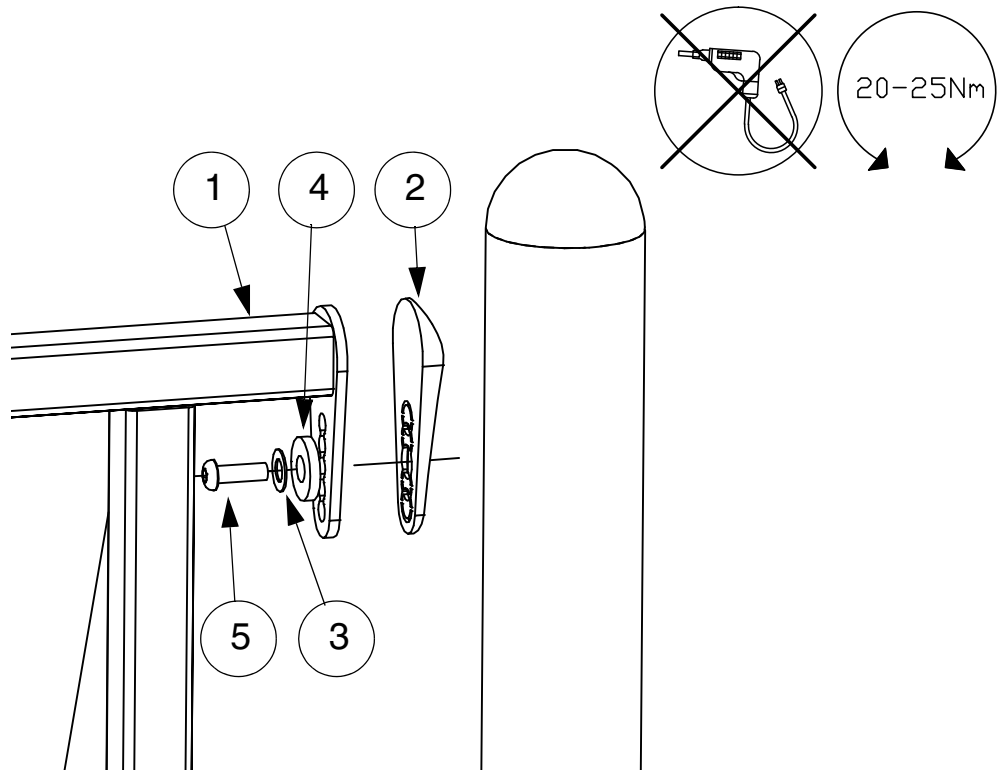
1 SA2MG

ITEM	CODE		QTY	kg
1	24000203		1	40.00
2	19022401		4	0.010
3	10301000	 M10 12X18X1	4	0.002
4	10309999	 M10 11X30X2.5	4	0.011
5	10121030	 M10 X 30	4	0.028
6	10121000	 T45 M10	1	

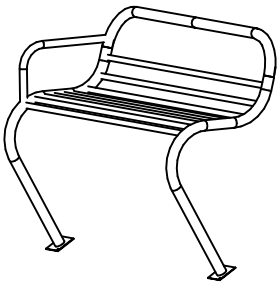
STEP 1

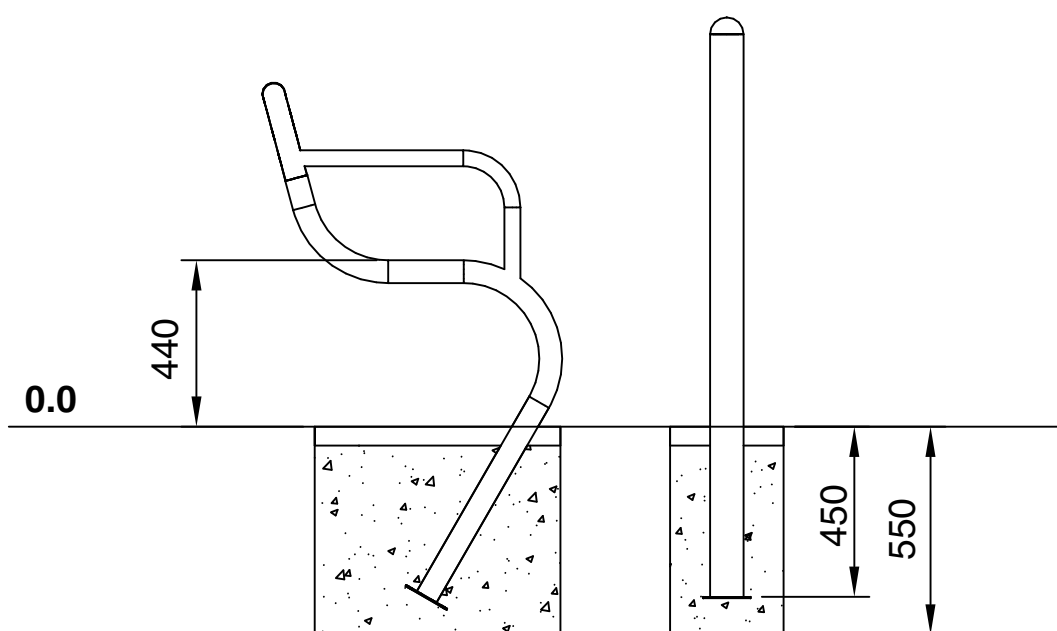
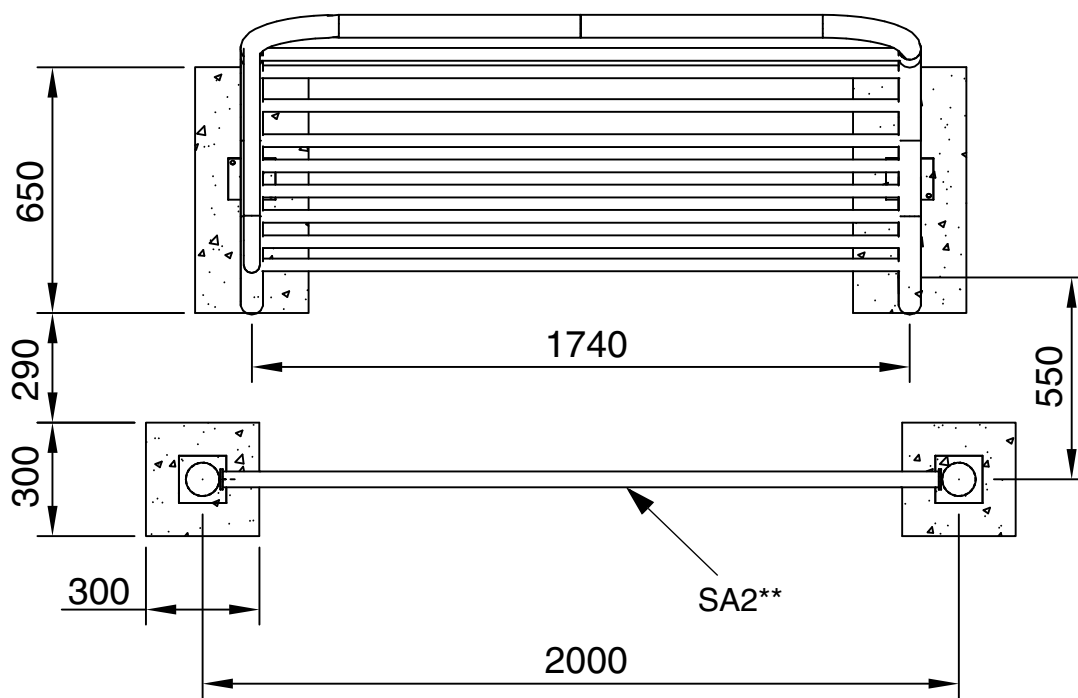


STEP 2

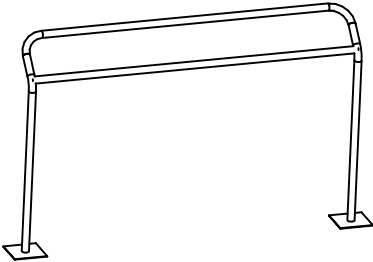


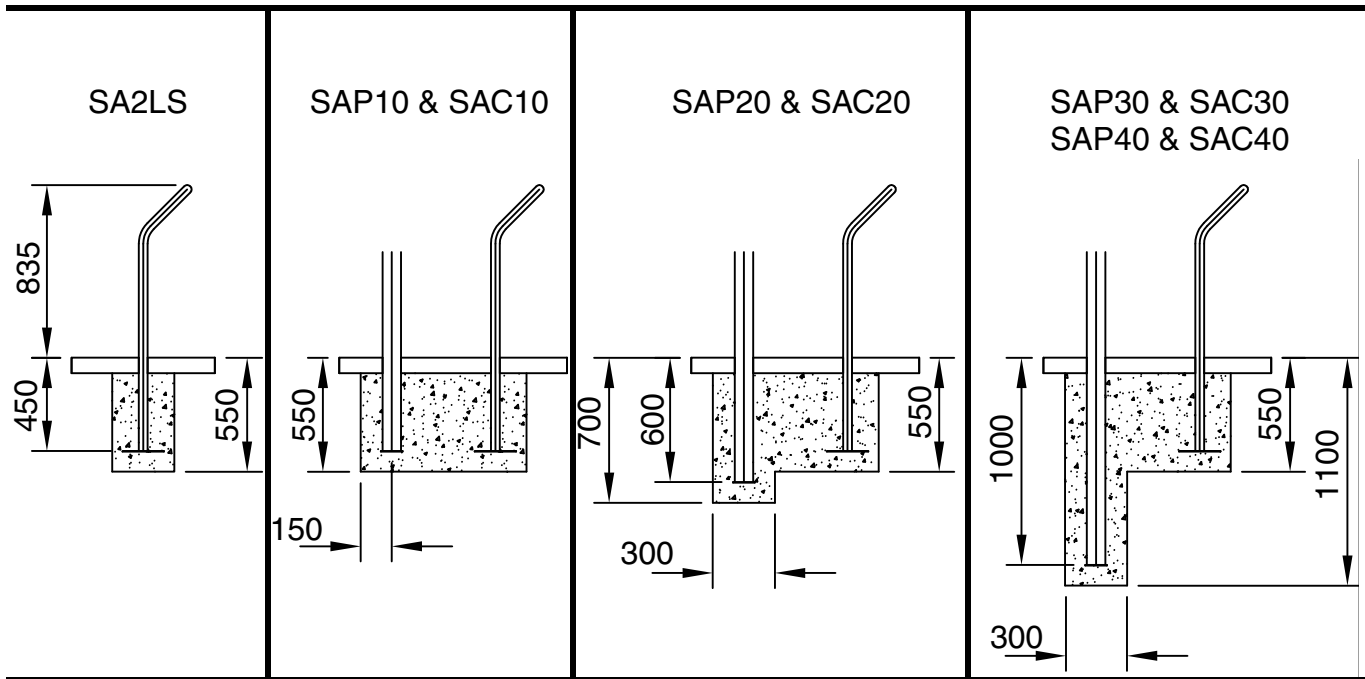
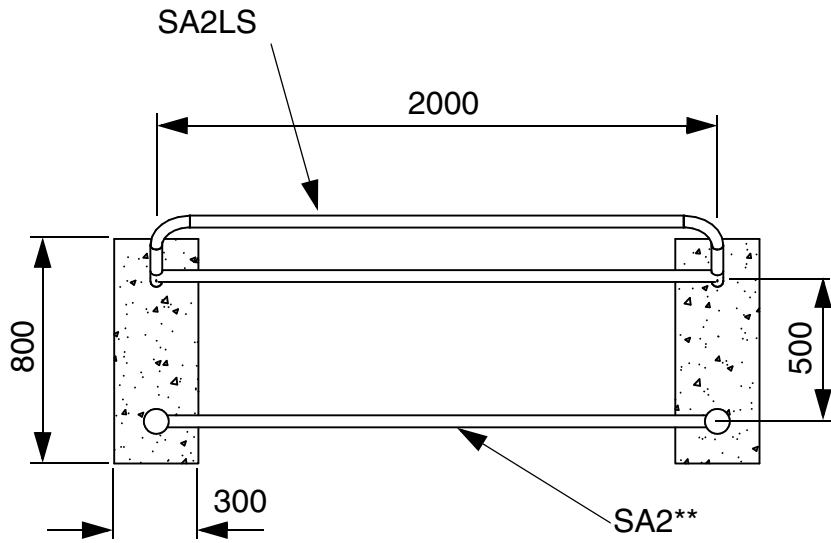
2 SA2SS

ITEM	CODE		kg
1	24000801		78.00

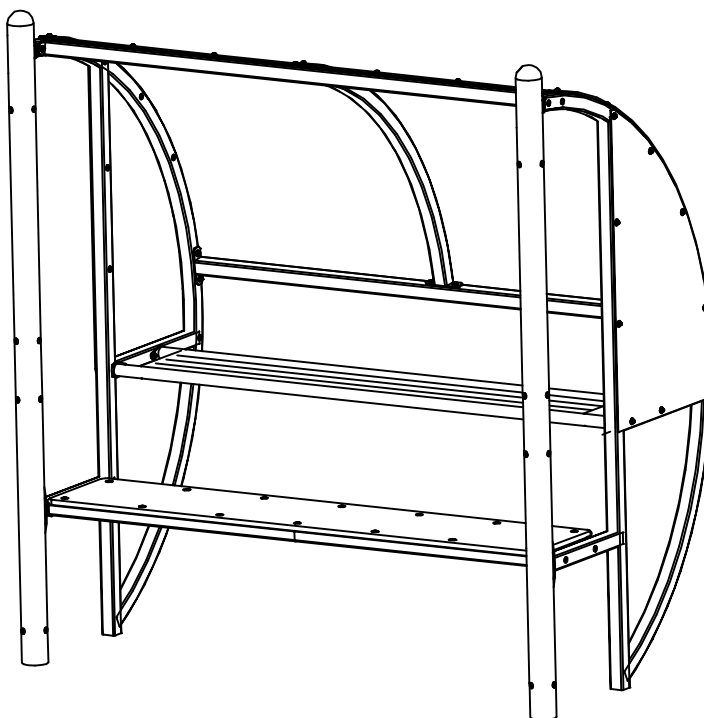


3 SA2LS

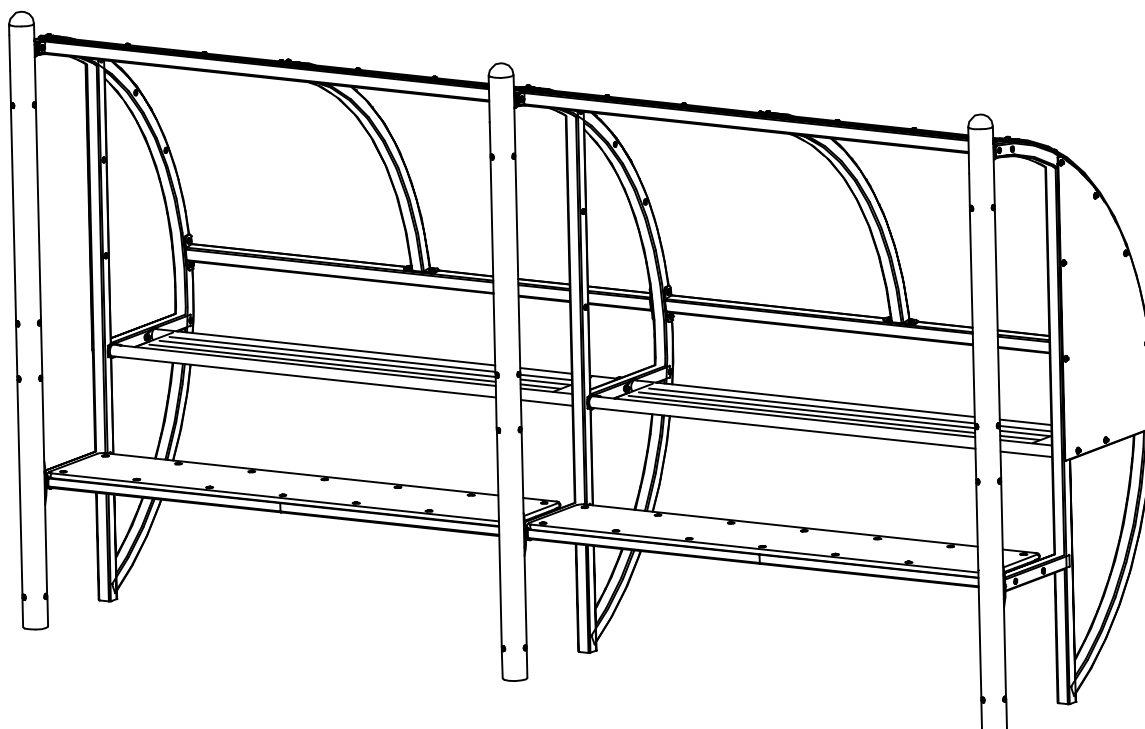
ITEM	CODE		kg
1	25000803		25.00



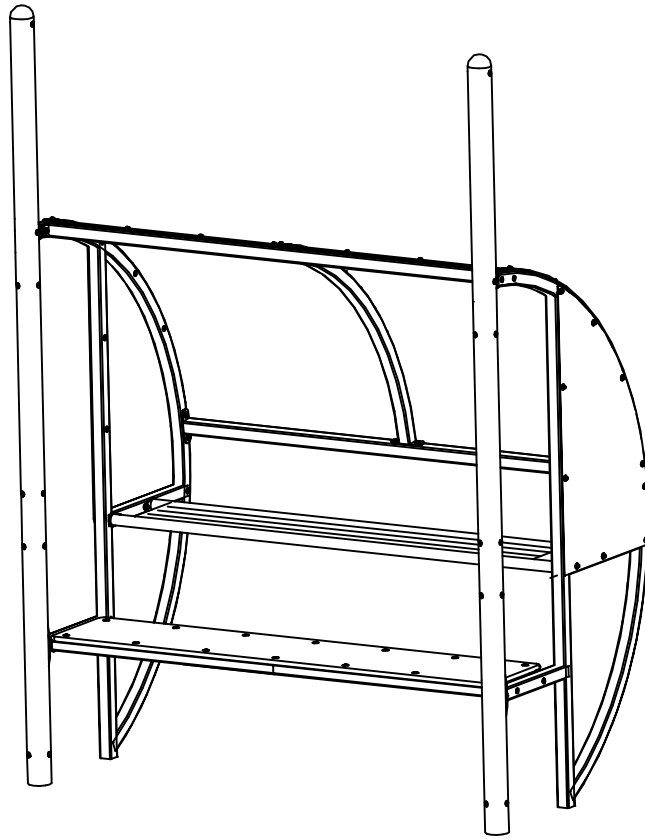
4 SAH22, SAH23, SAH42 & SAH43



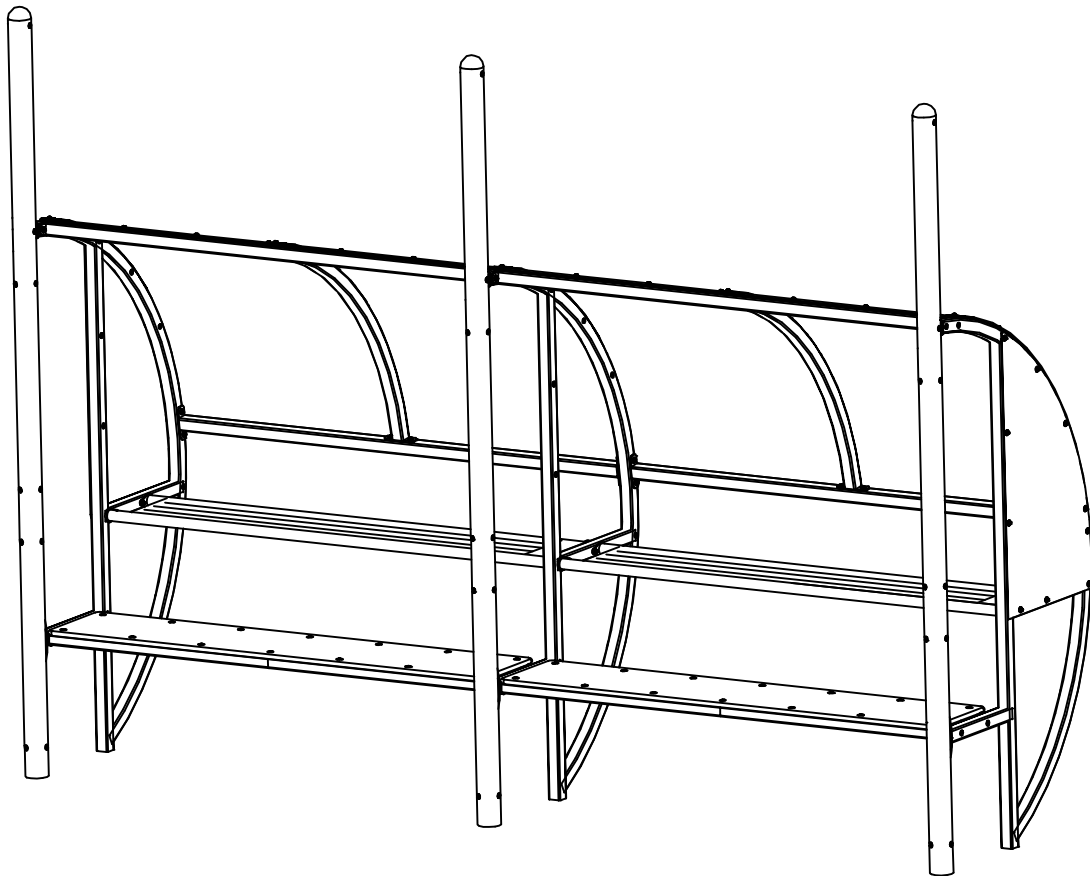
SAH22



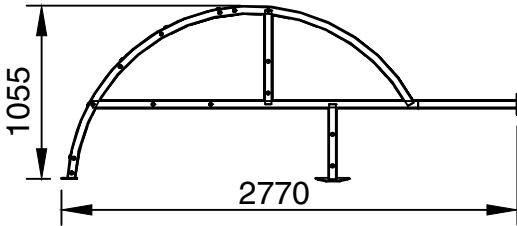
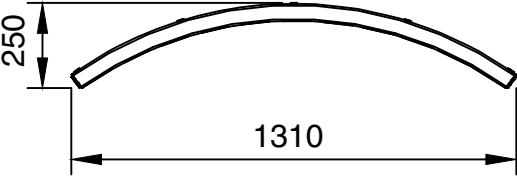
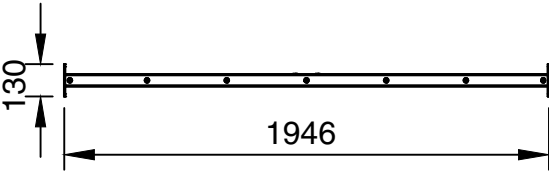
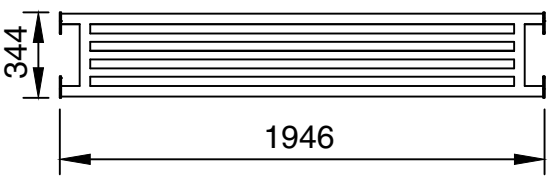
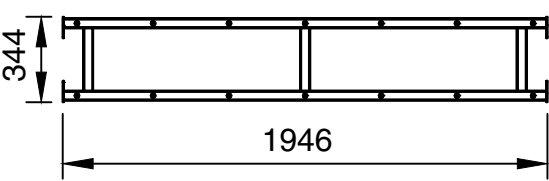
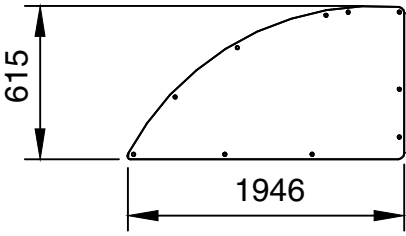
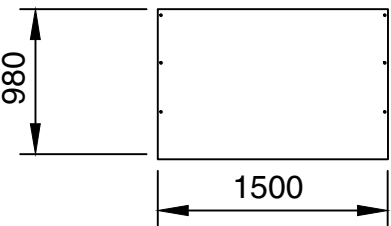
SAH42

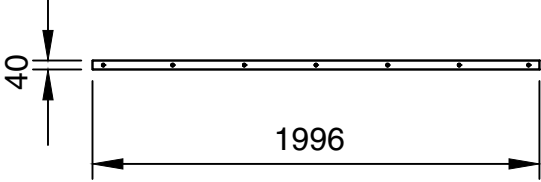
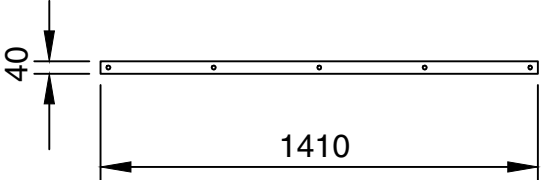
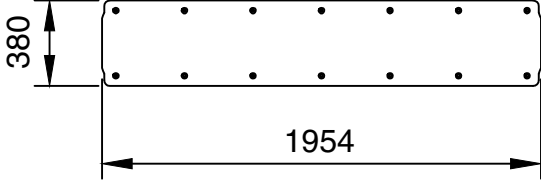
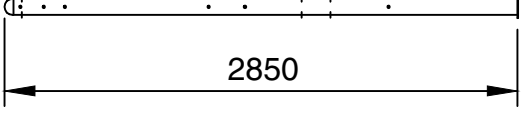
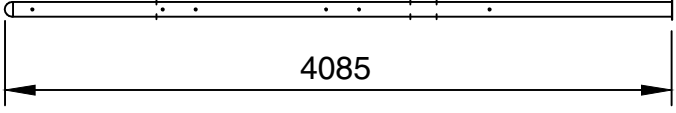
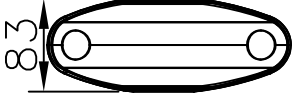
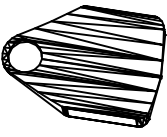
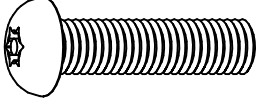
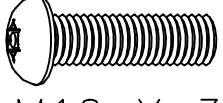


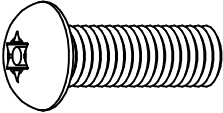
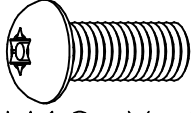
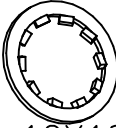
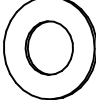

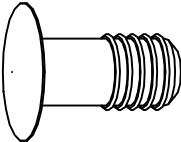
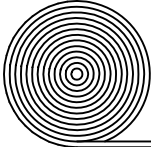
SAH23

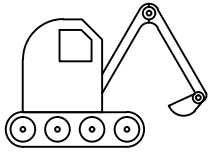


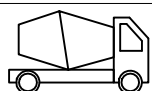

SAH43

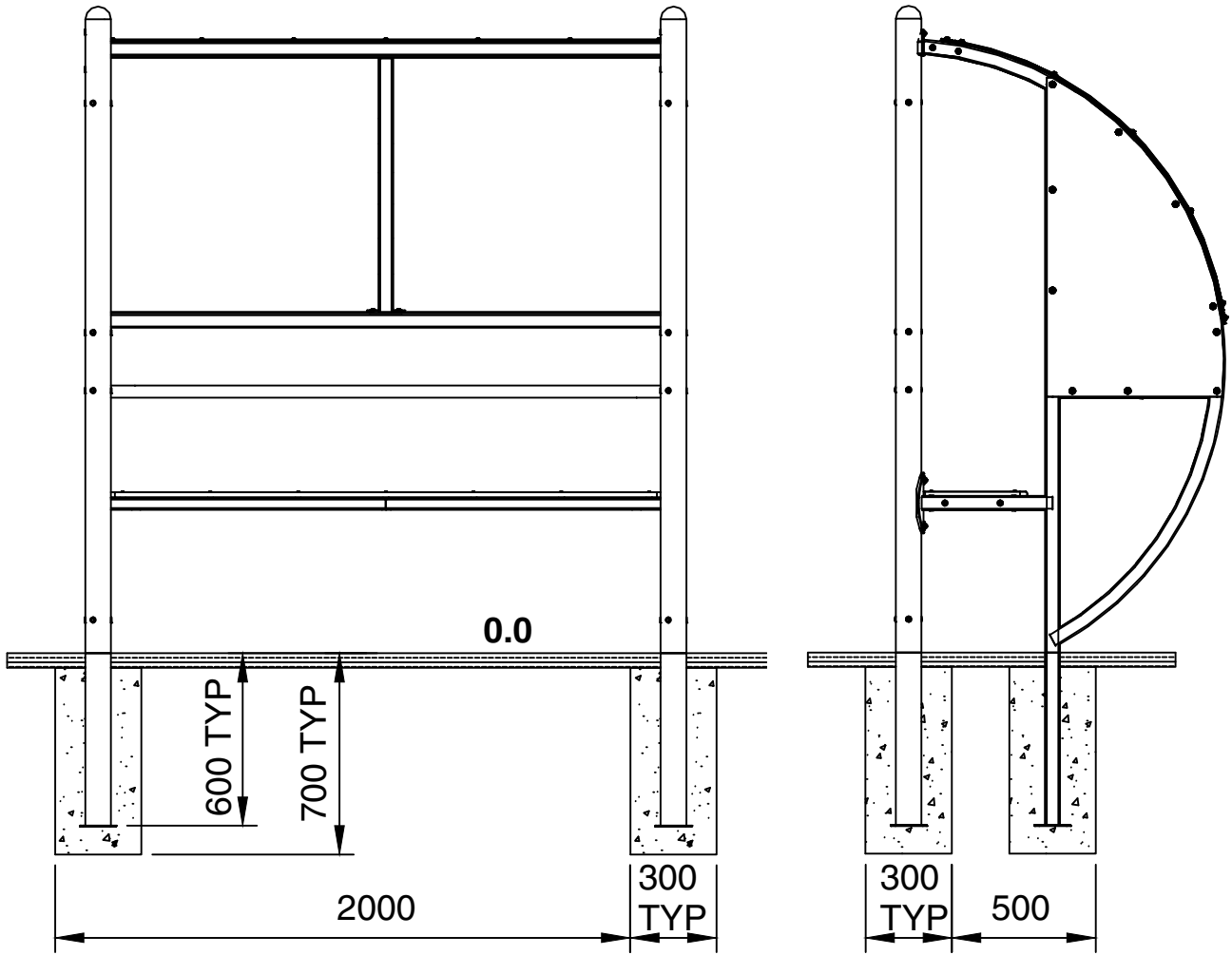
ITEM	CODE		SAH22	SAH23	SAH42	SAH43	kg
1	24004300		2		3		28.00
2	24004305		1		2		6.00
3	24004310		2		4		8.50
4	24004315		1		2		25.50
5	24004320		1		2		17.50
6	24004010		2				16.50
7	24004015		2		4		23.50

ITEM	CODE		SAH22	SAH23	SAH42	SAH43	kg
8	24004020		2		4		3.25
9	24004025		3		5		2.25
10	24004500		1		2		13.00
11	24000132		2		3		24.00
12	24000134				2	3	34.00
13	19023802		2		3		.050
14	19024503		2		3		0.020
15	10121040	 M10 X 40	4		6		0.037
16	10121035	 M10 X 35	36		71		0.032

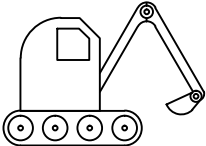
ITEM	CODE		SAH22	SAH23	SAH42	SAH43	kg
17	10121030	 M10 X 30	29		53		0.028
18	10121025	 M10 X 25	20				0.024
19	10301000	 M10 12X18X1	4		6		0.002
20	10291000	 M10 11X21X1	85		144		0.011
21	38001019	 M10 12X32X6.5	4		6		0.002
22	19024501		48	36	70	58	0.001
23	19027126		2		4		-

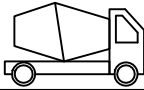



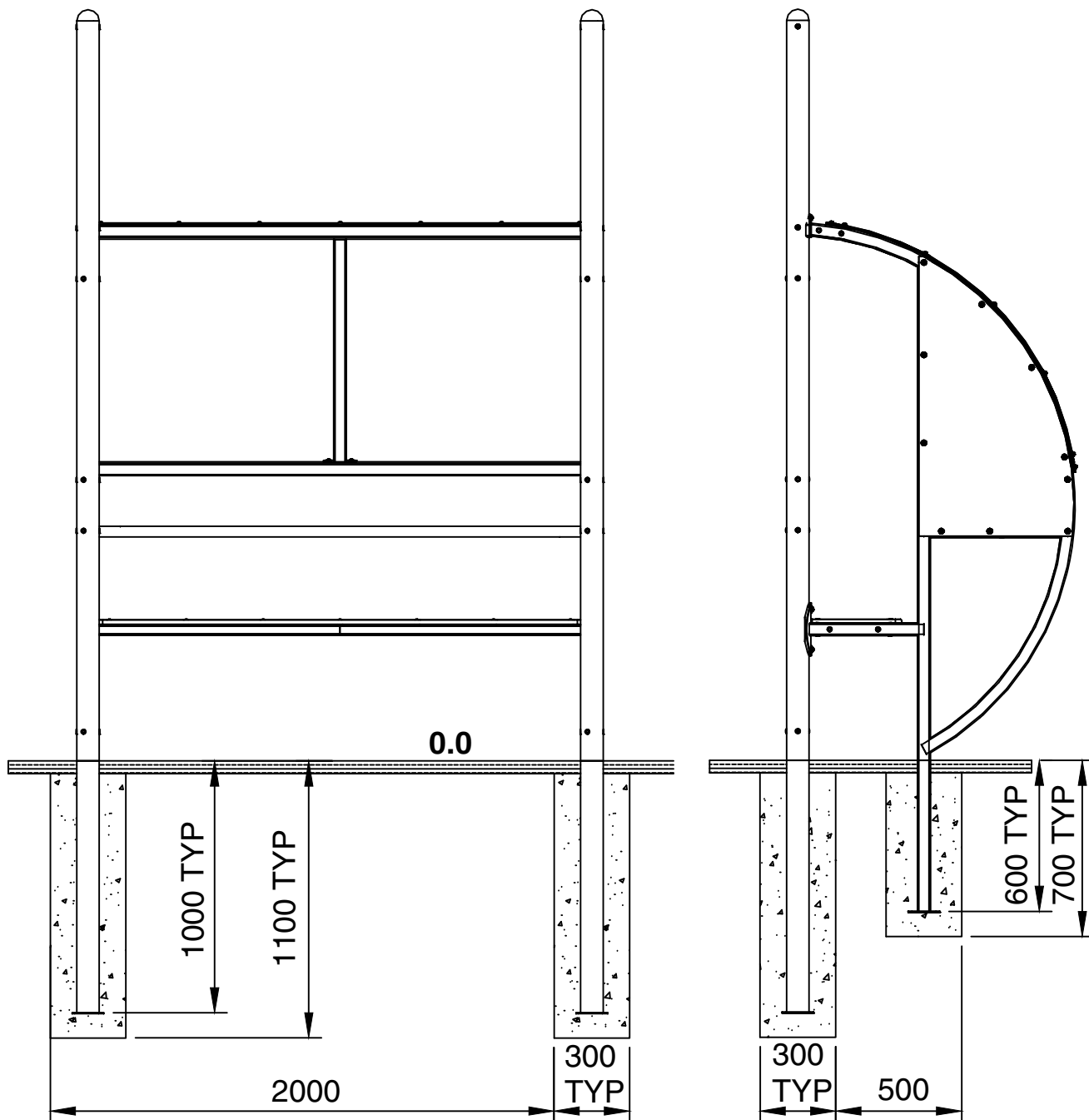

S2 (50mm)
≥C20-25
 101



SAH22

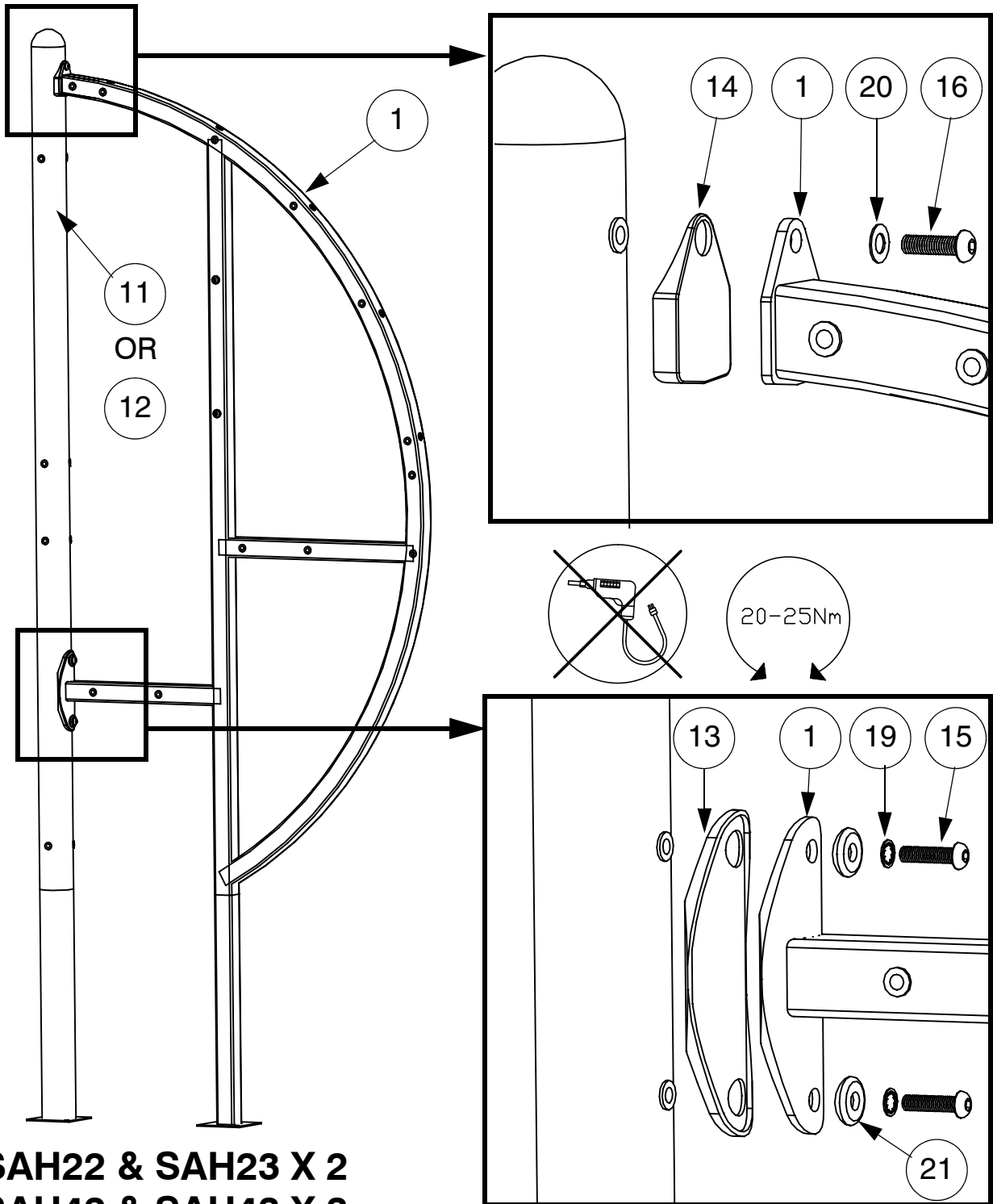



S2 (50mm)
≥C20-25
 101



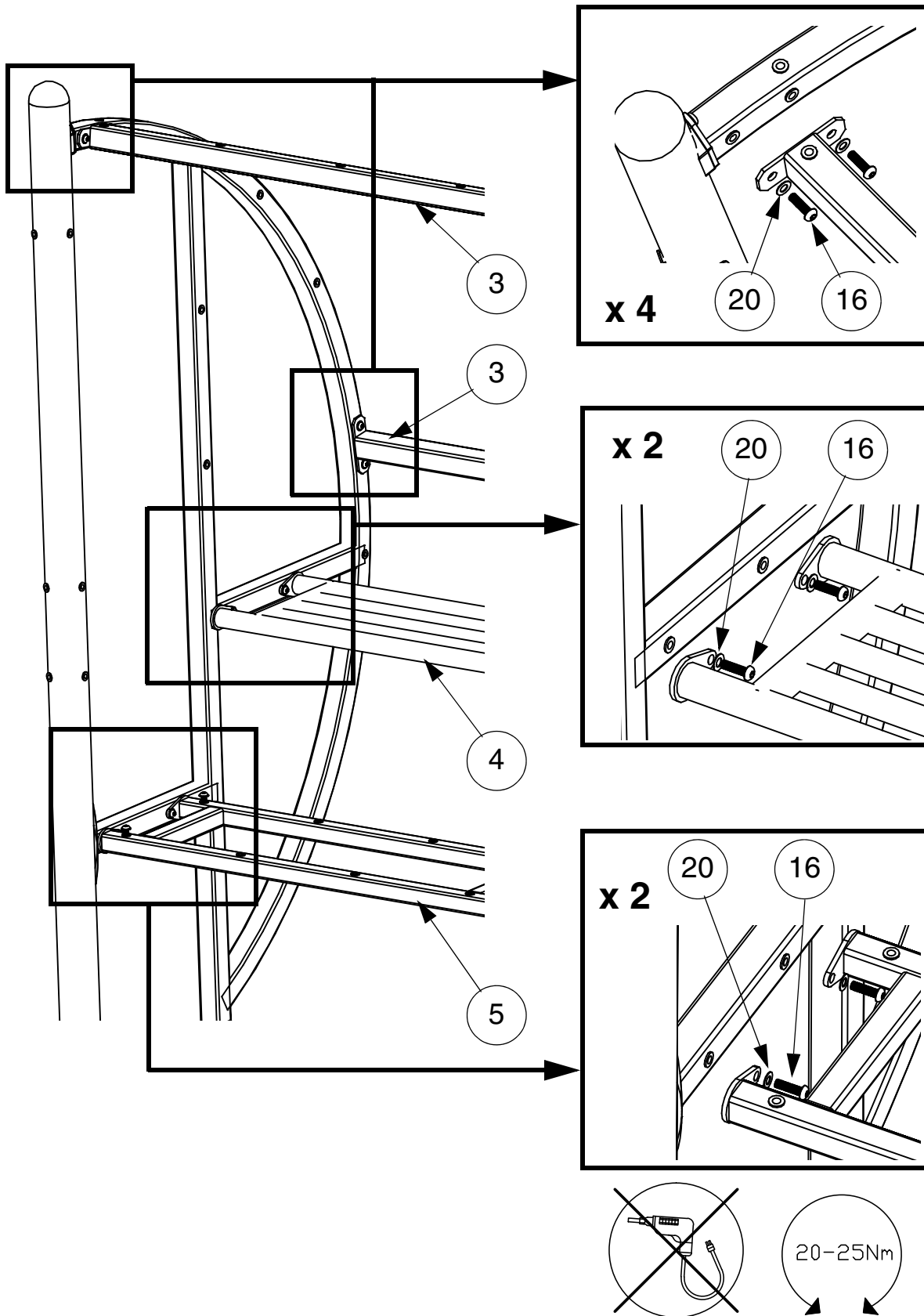
SAH23

STEP 1

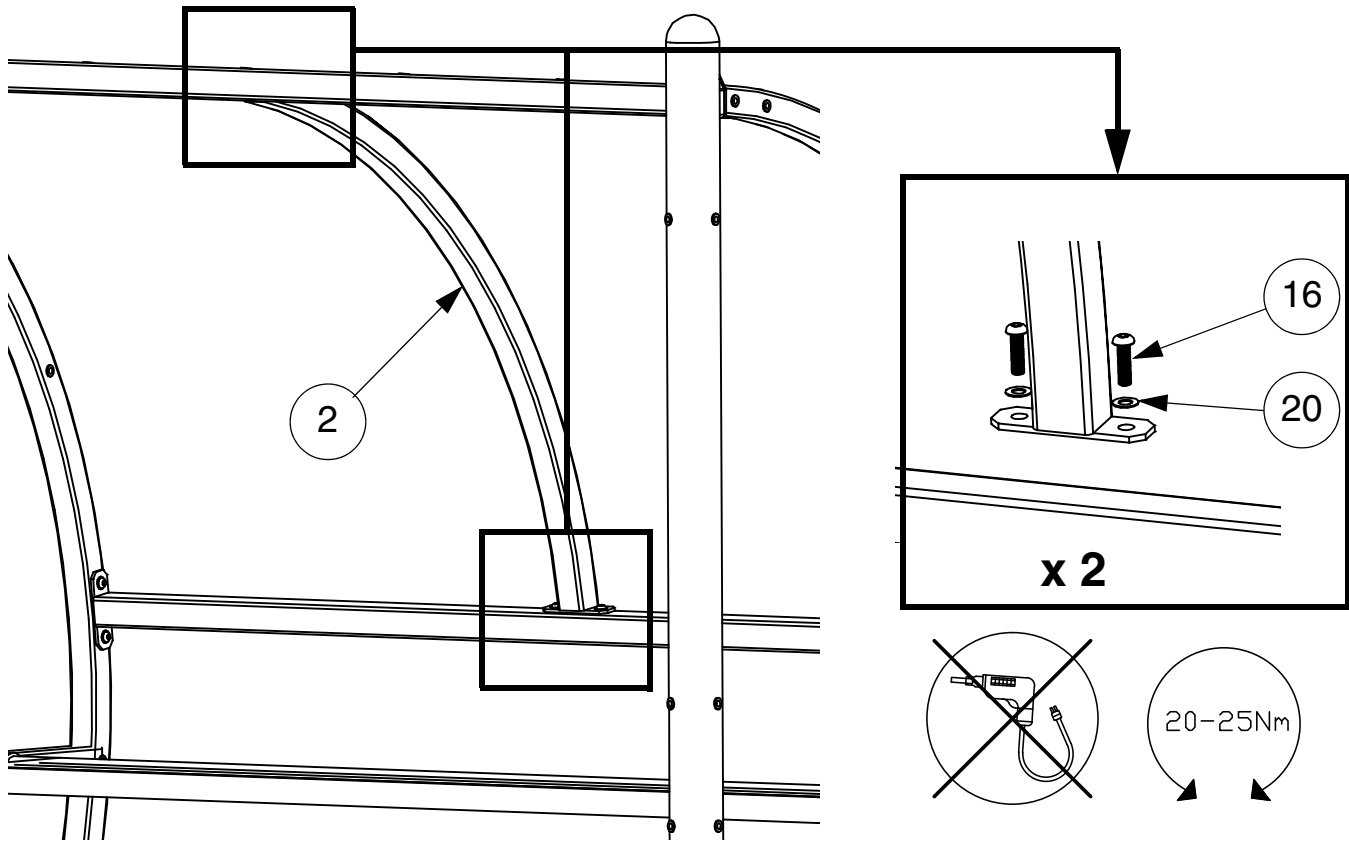


SAH22 & SAH23 X 2
SAH42 & SAH43 X 3

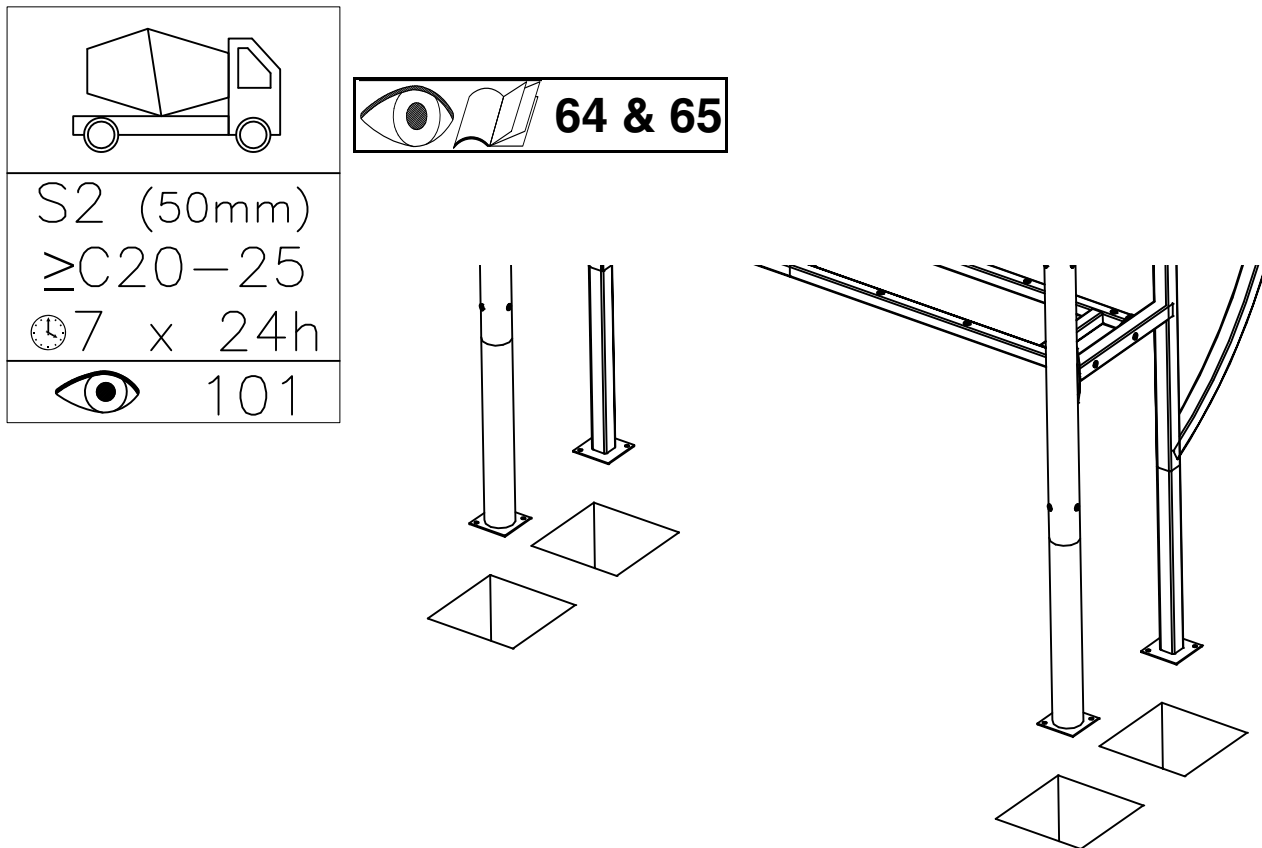
STEP 2



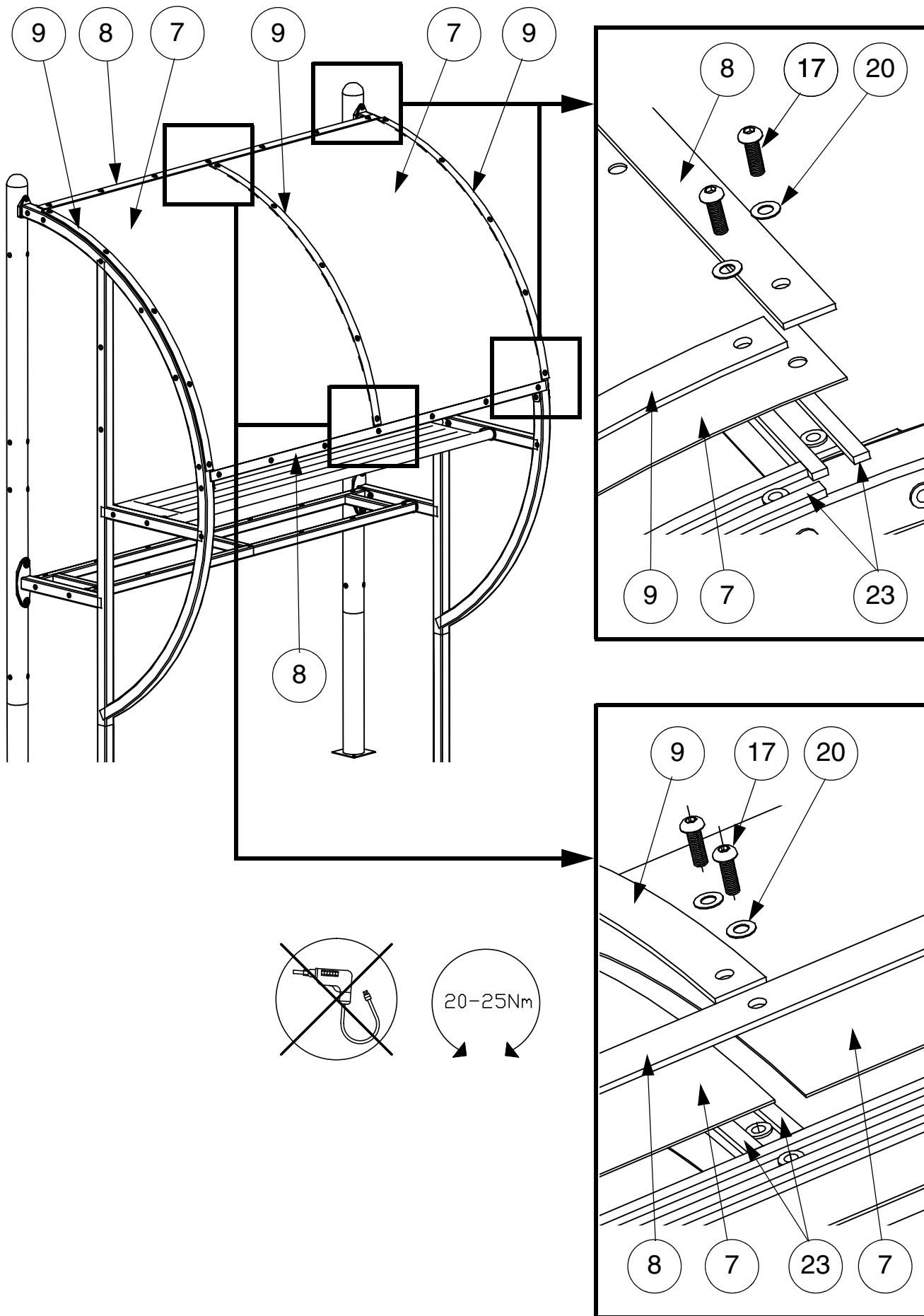
STEP 3



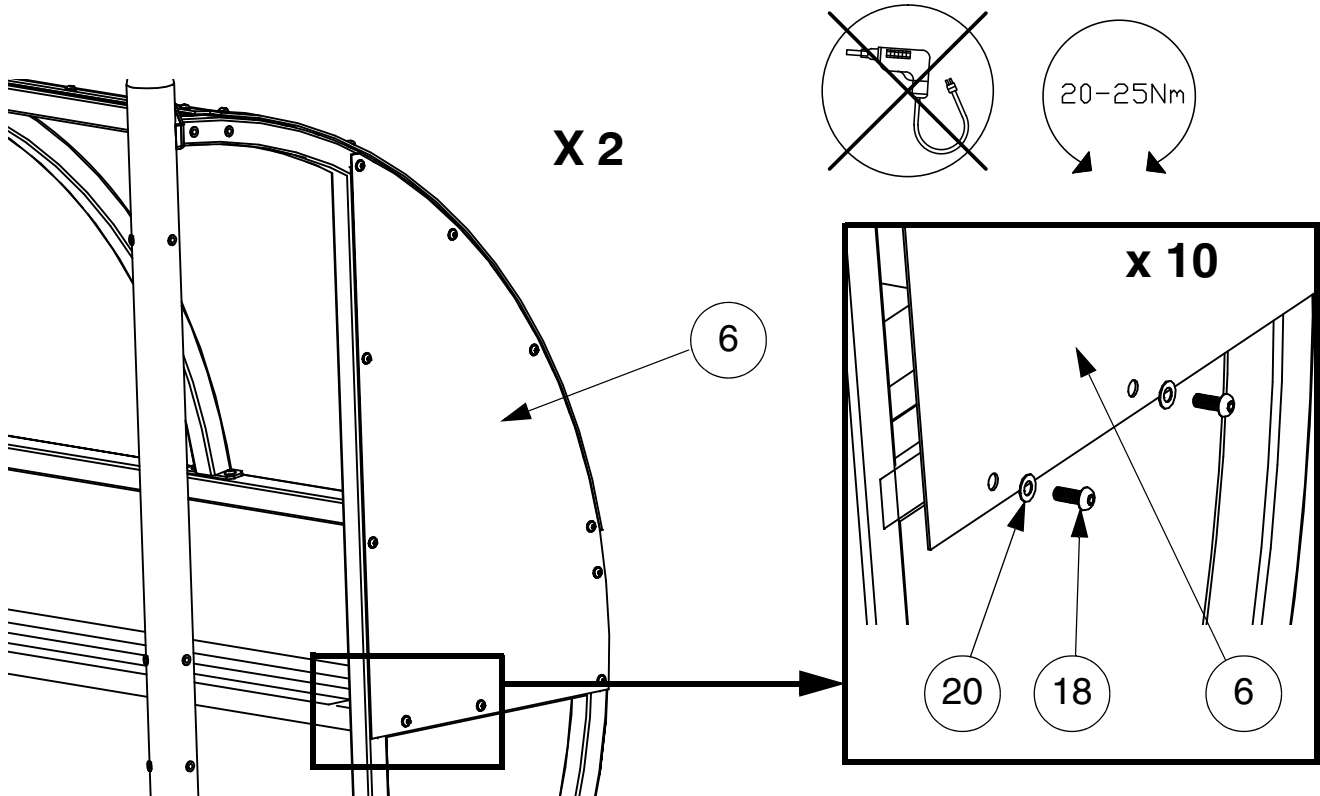
STEP 4



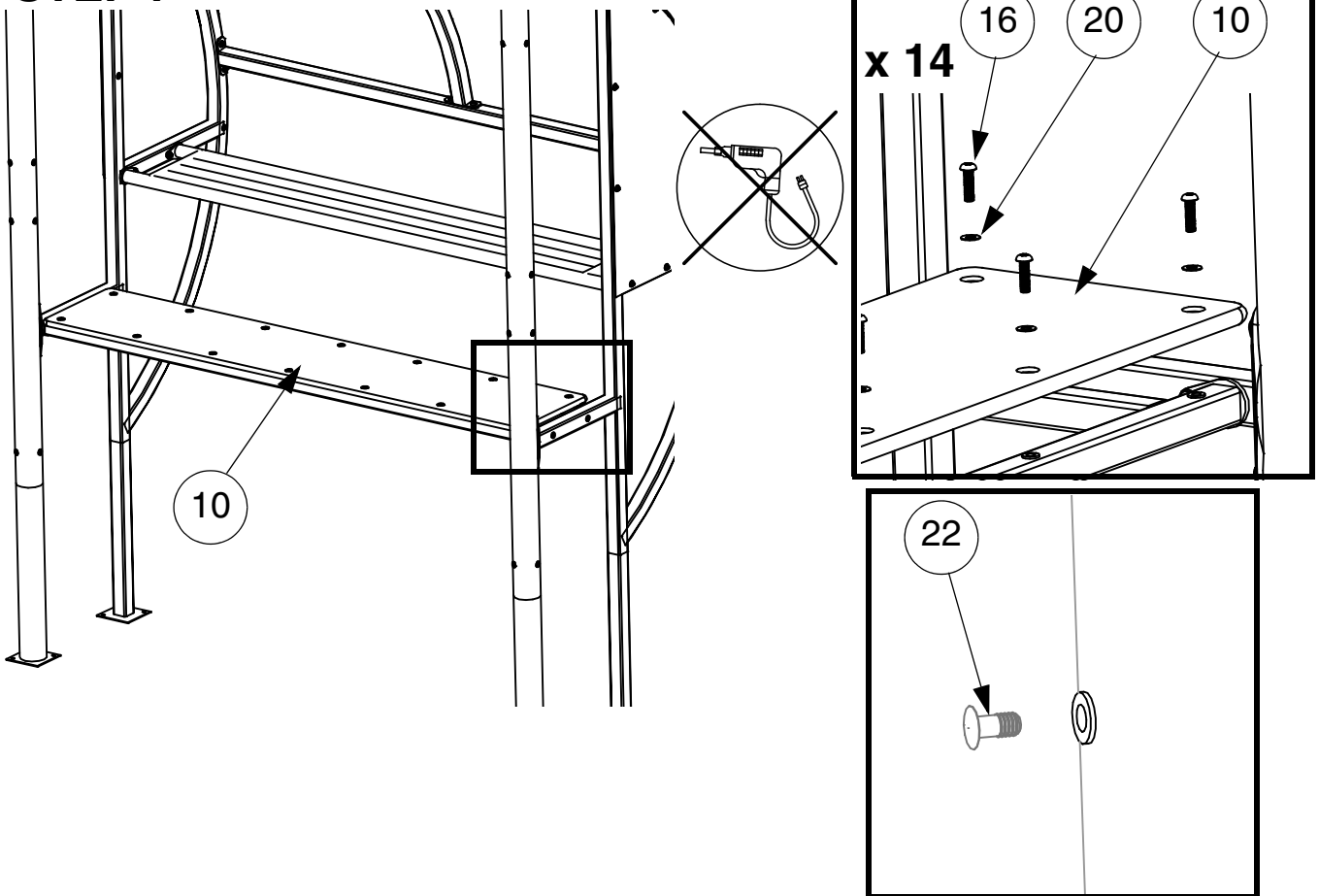
STEP 5



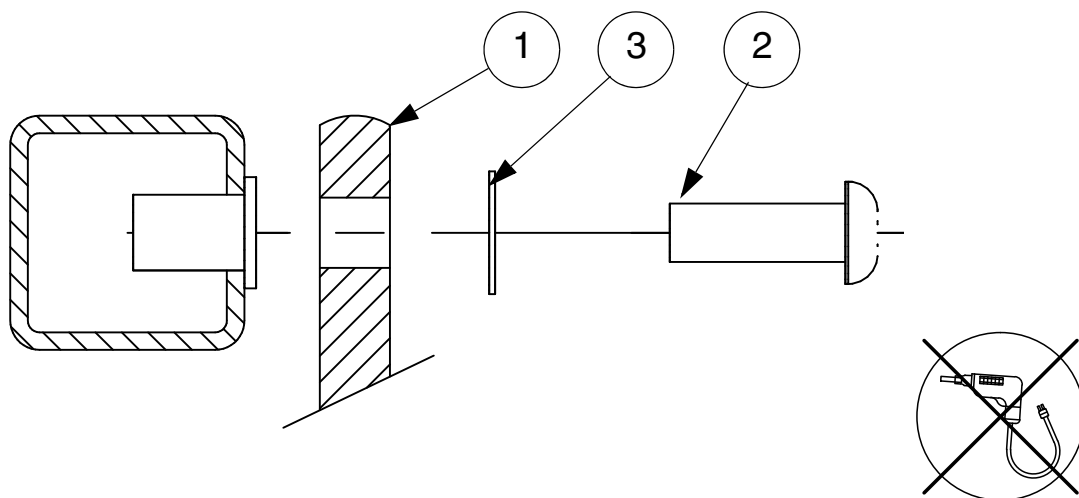
STEP 6



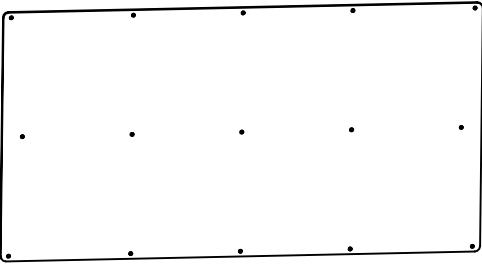
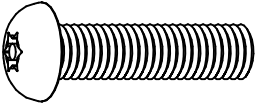
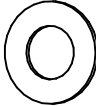
STEP 7



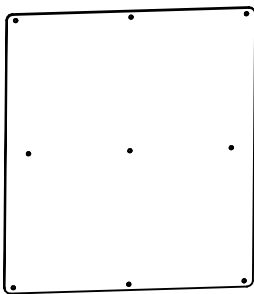
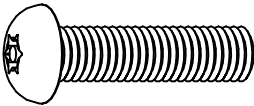
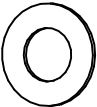
**Section 6: POLY PANELS / ECRANS EN POLYETHYLENE / POLY-
WANDELMENENTE / PANNELLI IN POLIETILENE / PP SKÄRMAR**



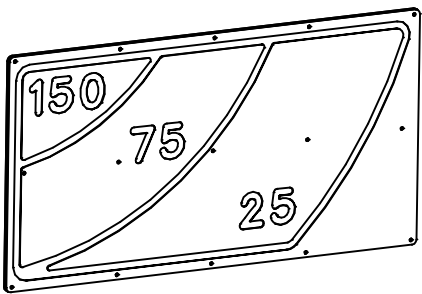

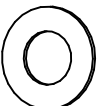
1 SA2RB

ITEM			QTY	kg
1	24003007		1	22.000
2	10121040	 M10 X 40	15	0.028
3	10291000	 M10 11X21X1	15	0.002

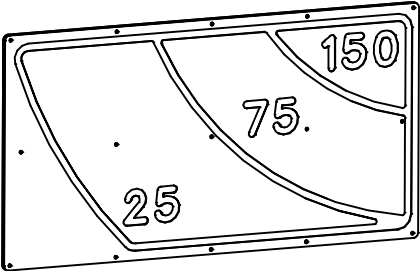
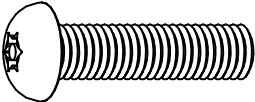
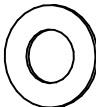
2 SA1RB

ITEM			QTY	kg
1	24003006		1	11.000
2	10121040	 M10 X 40	9	0.028
3	10291000	 M10 11X21X1	9	0.002

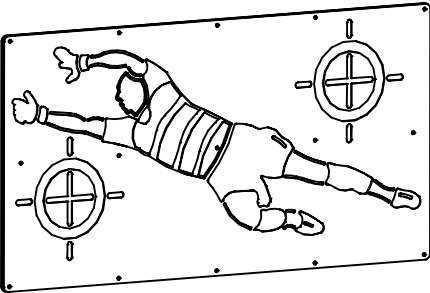
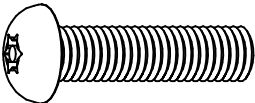
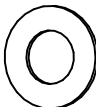
3 SAYLS

ITEM			QTY	kg
1	24001103		1	22.000
2	10121040	 M10 X 40	15	0.037
3	10291000	 M10 11X21X1	15	0.002

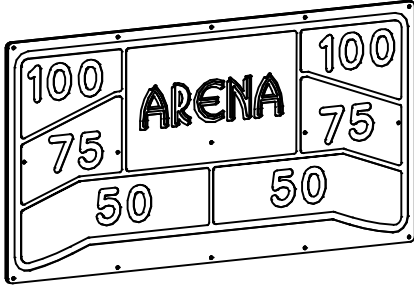
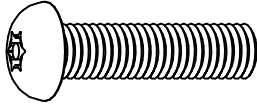
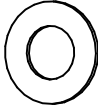
4 SAYRS

ITEM			QTY	kg
1	24001104		1	22.000
2	10121040	 <p>M10 X 40</p>	15	0.037
3	10291000	 <p>M10 11X21X1</p>	15	0.002

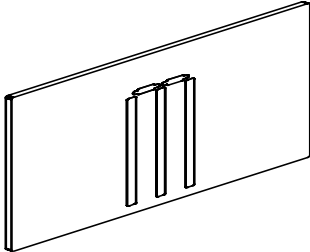
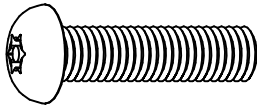
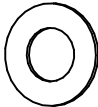
5 SAYGK

ITEM			QTY	kg
1	24001105		1	22.000
2	10121040	 <p>M10 X 40</p>	15	0.037
3	10291000	 <p>M10 11X21X1</p>	15	0.002

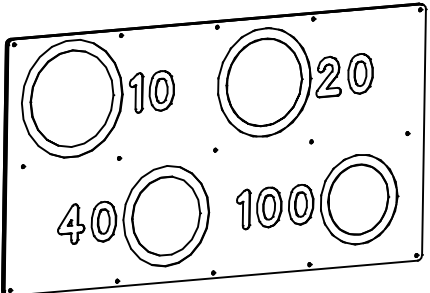
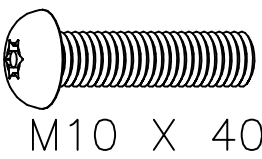
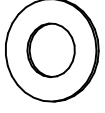
6 SAYDS

ITEM			QTY	kg
1	24001106		1	22.000
2	10121040	 M10 X 40	15	0.037
3	10291000	 M10 11X21X1	15	0.002

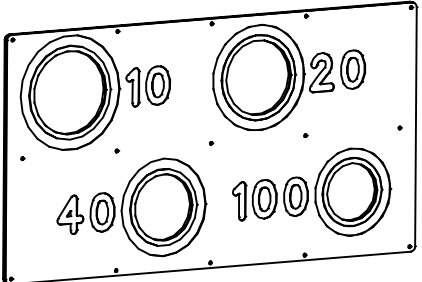
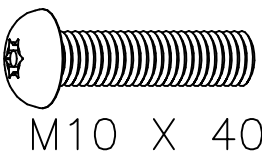
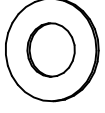
7 SAYCR

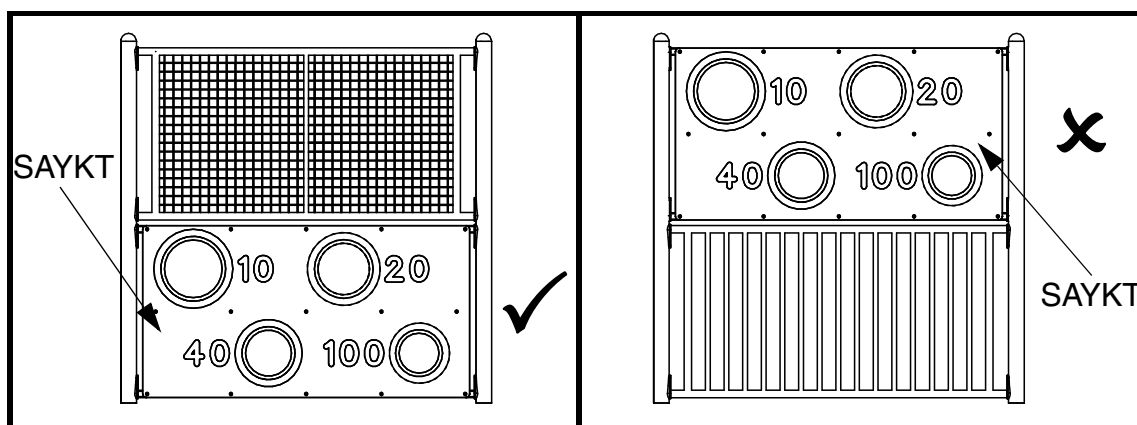
			QTY	kg
1	24002001		1	22.000
2	10121040	 M10 X 40	15	0.037
3	10291000	 M10 11X21X1	15	0.002

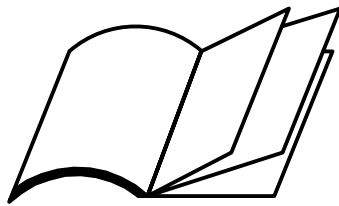
8 SAYST

ITEM			QTY	kg
1	24001102		1	22.000
2	10121040	 M10 X 40	15	0.037
3	10291000	 M10 11X21X1	15	0.002

9 SAYKT

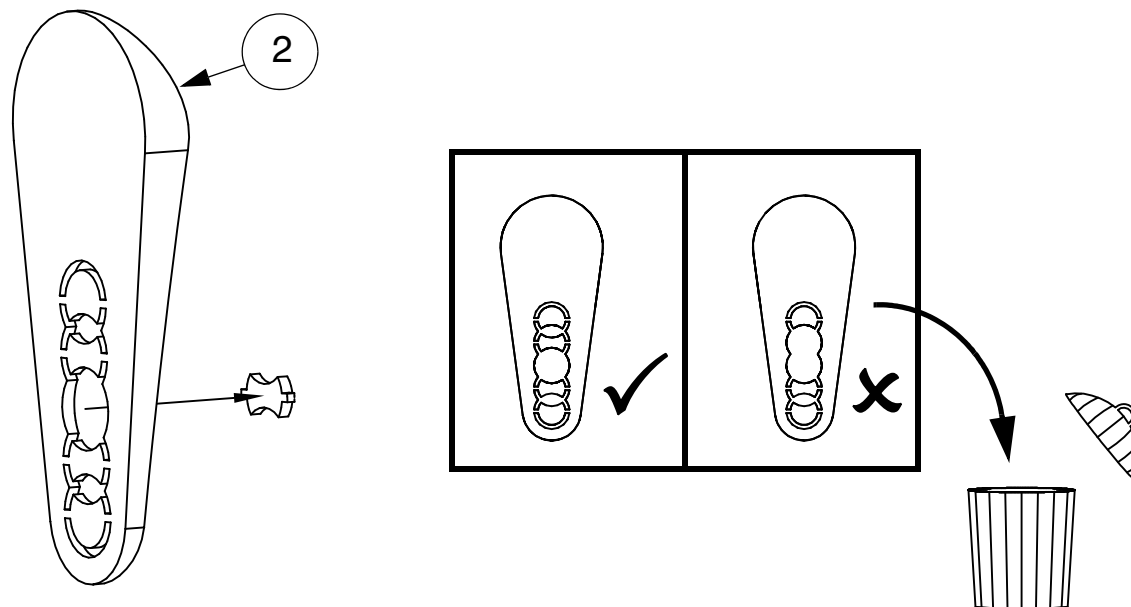
ITEM			QTY	kg
1	24001101		1	22.000
2	10121040	 M10 X 40	15	0.037
3	10291000	 M10 11X21X1	15	0.002



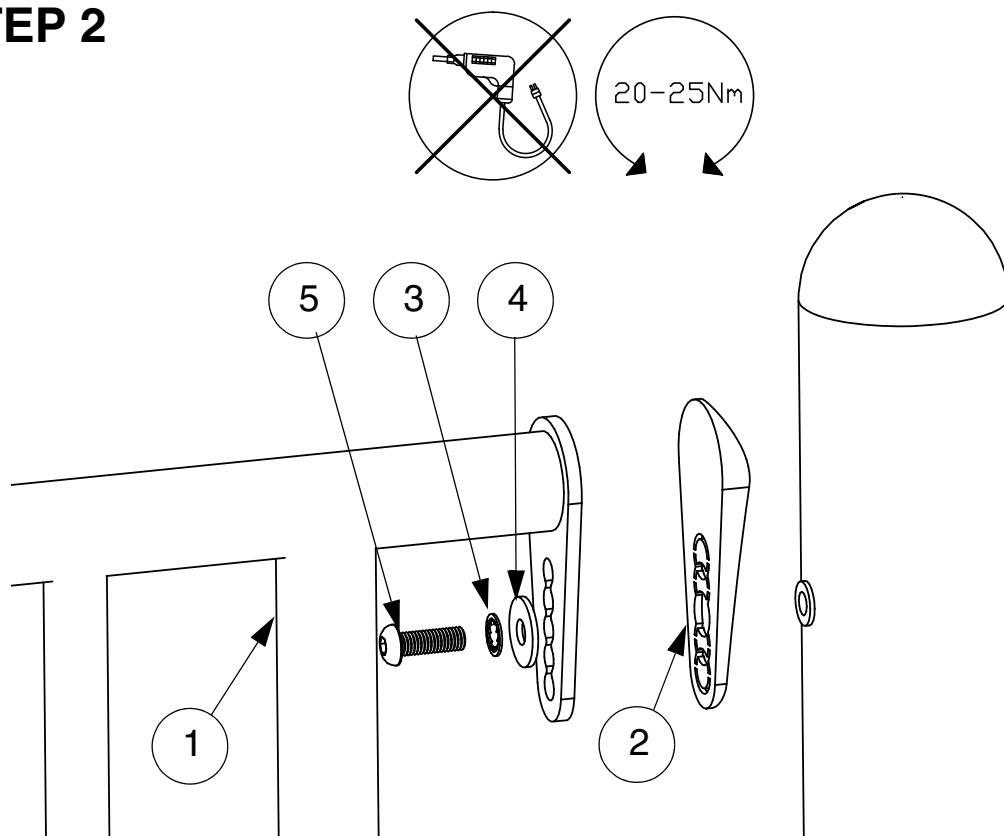


Section 7: GATES / PORTILLONS / EINGANGE / CANCELLI / GRINDAR

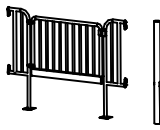
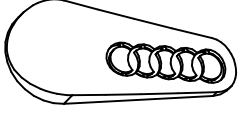
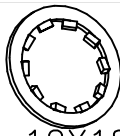
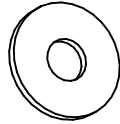
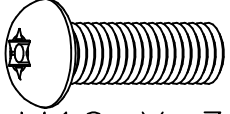
STEP 1

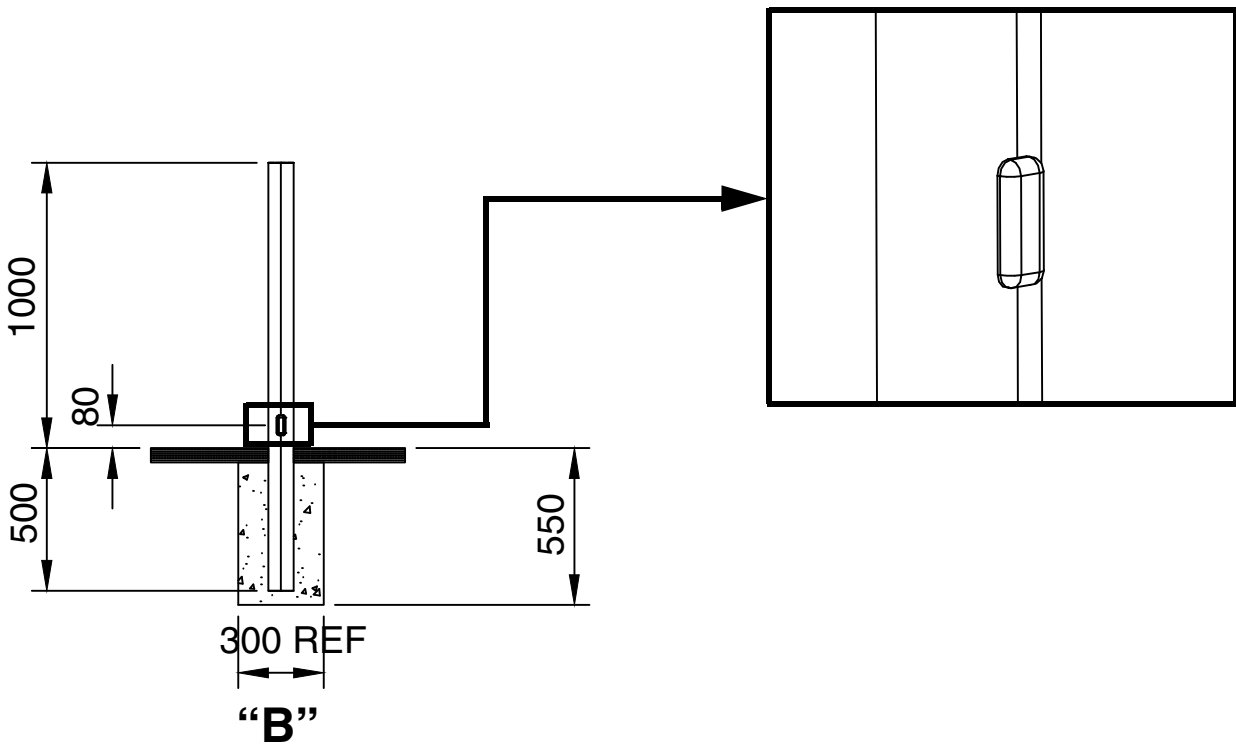
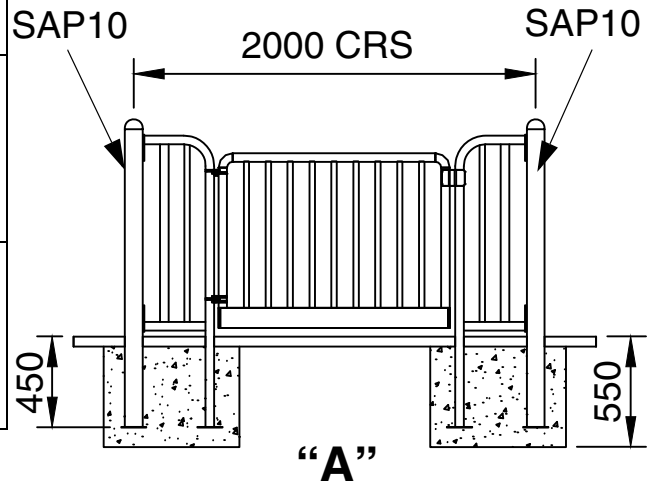
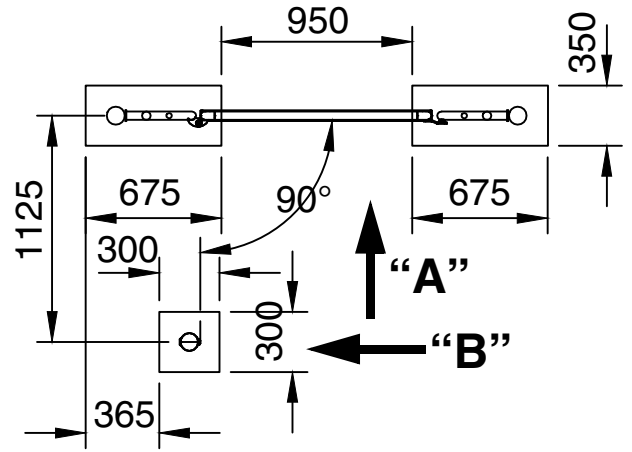


STEP 2

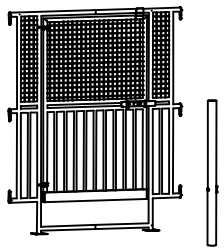
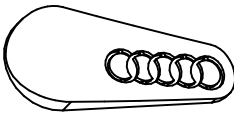
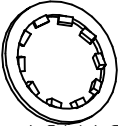
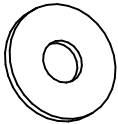
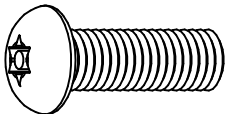


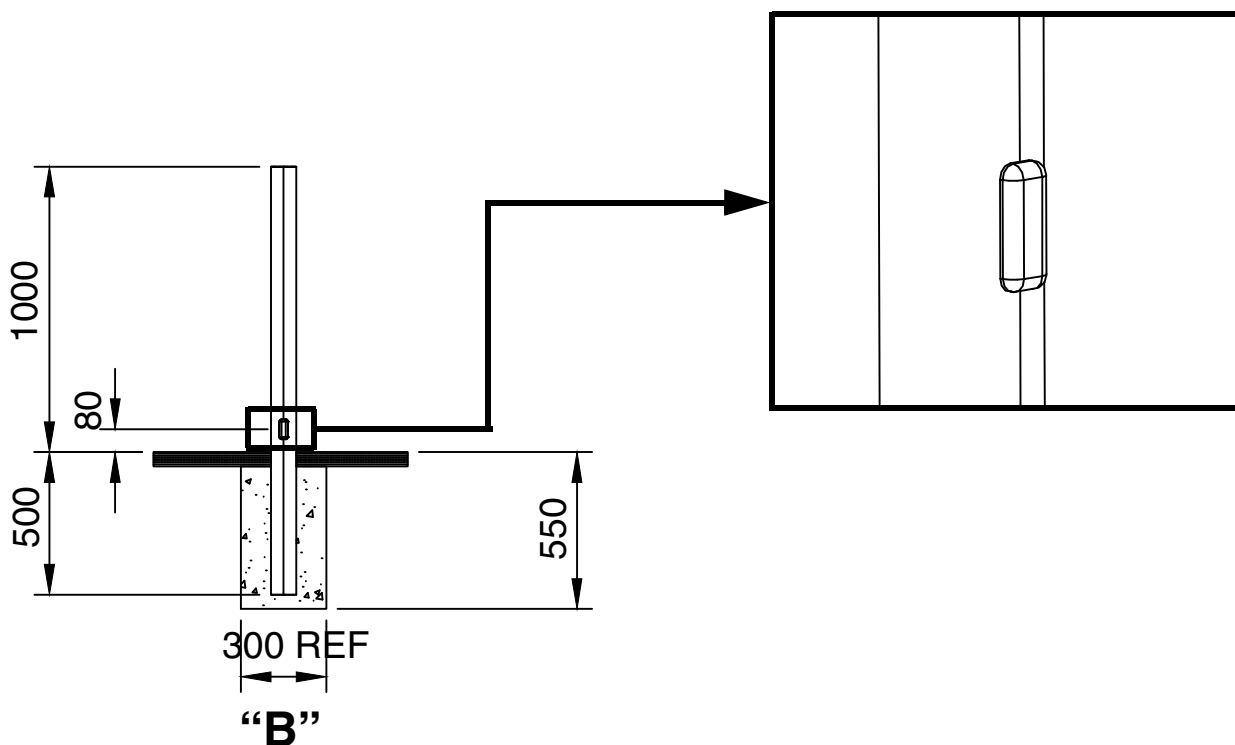
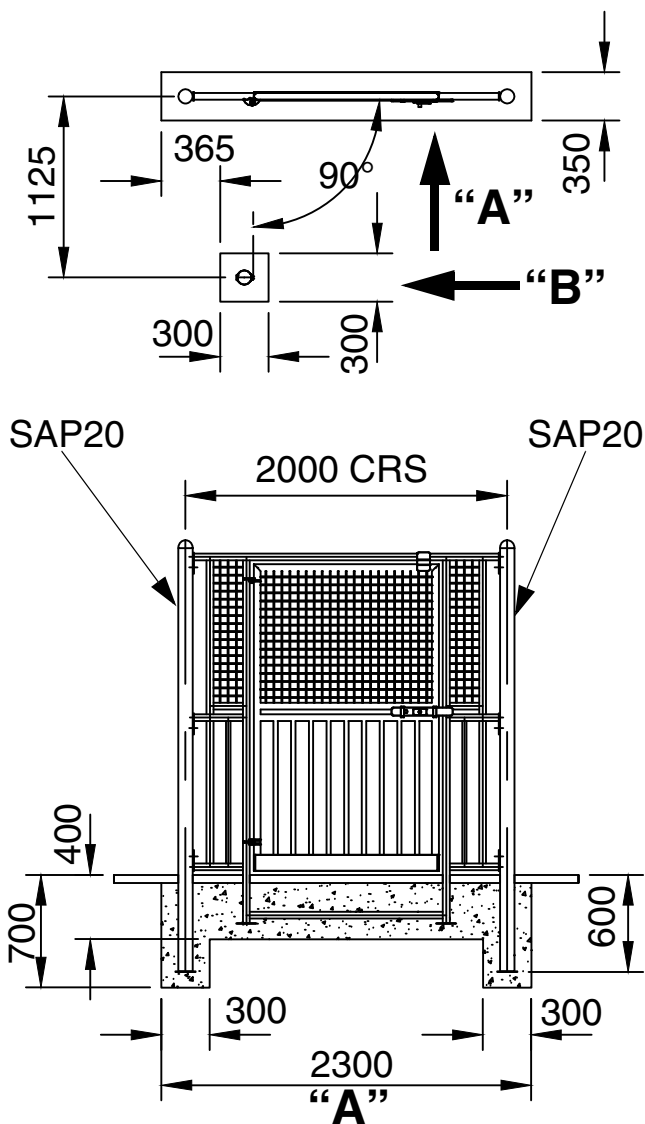
1 SAZ10

ITEM	REF		QTY	kg
1	24000608		1	58.50
2	19022401		4	0.010
3	10301000	 M10 12X18X1	4	0.002
4	10309999	 M10 11X30X2.5	4	0.011
5	10121030	 M10 X 30	4	0.028

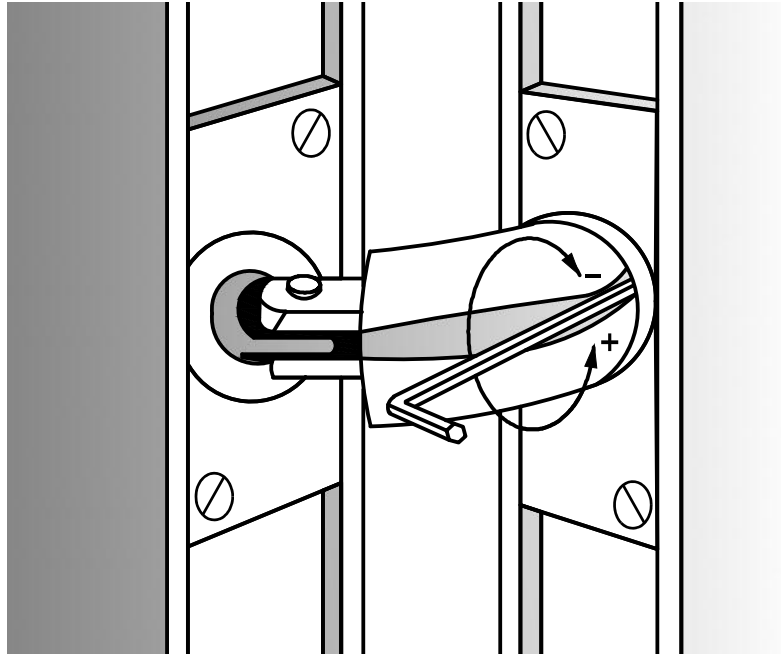


2 SAZ20

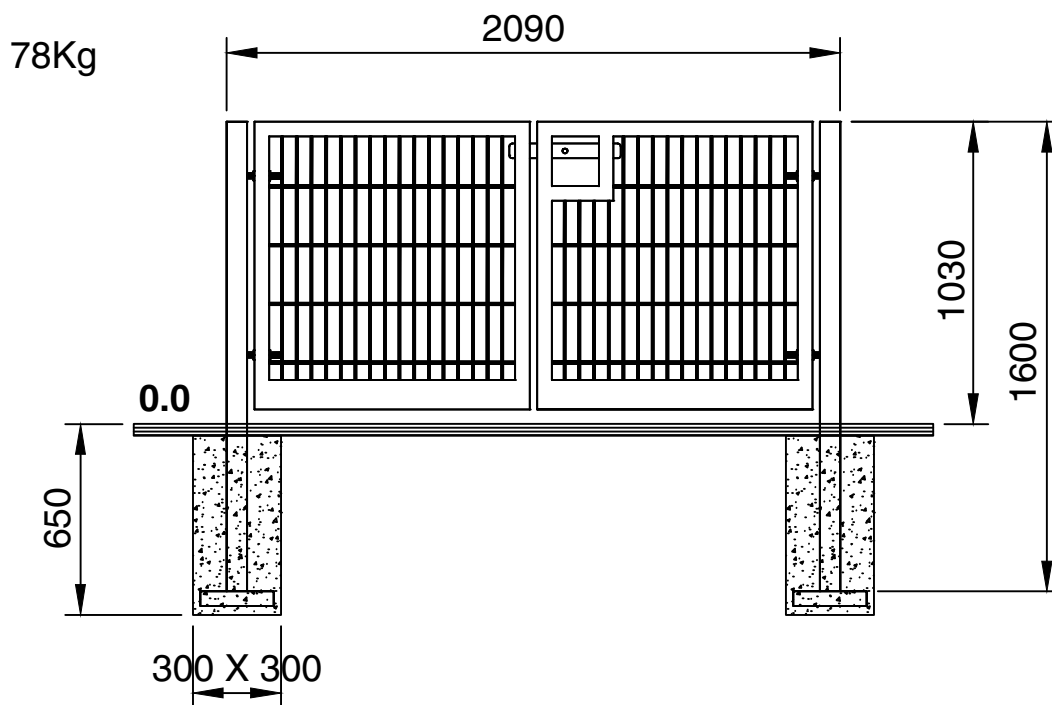
ITEM	REF		QTY	kg
1	24000609		1	103.50
2	19022401		6	0.010
3	10301000	 M10 12X18X1	6	0.002
4	10309999	 M10 11X30X2.5	6	0.011
5	10121030	 M10 X 30	6	0.028



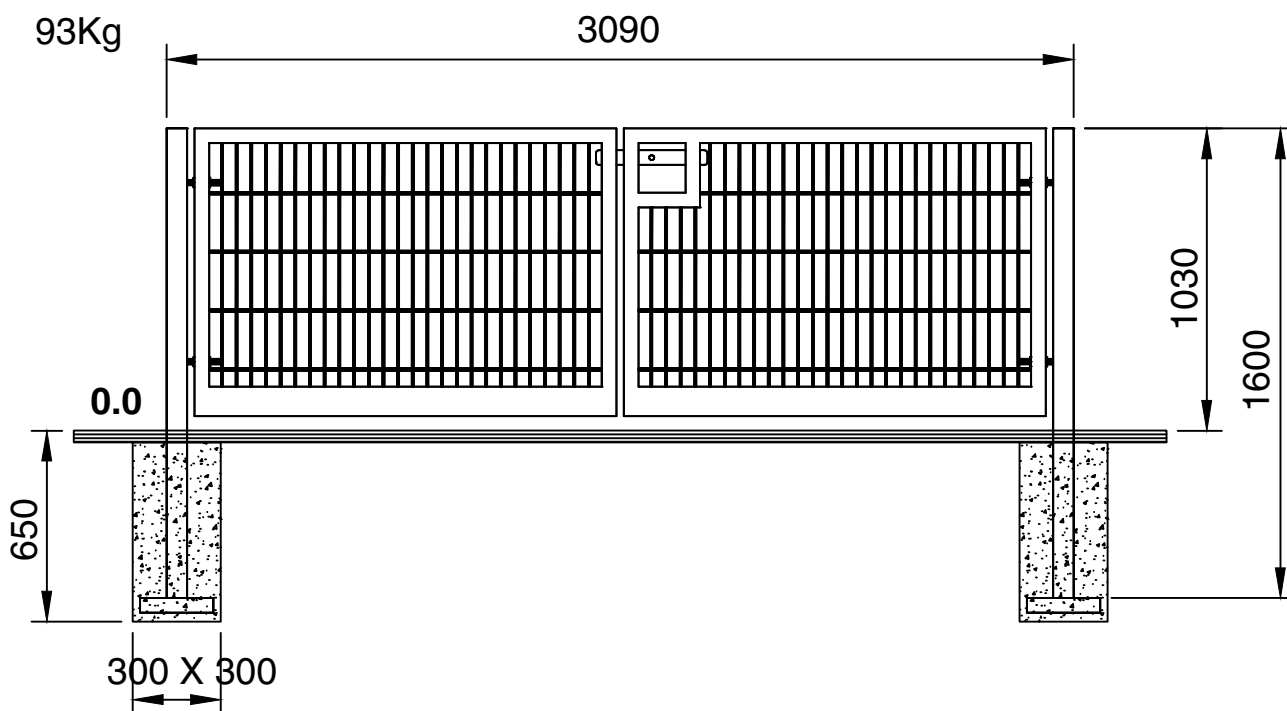
3 ADJUSTMENT OF GATE CLOSING SPEED
AJUSTEMENT DE LA VITESSE DE FERMETURE DU PORTILLON
EINSTELLEN DER SCHLISSGESCHWINDIGKEIT DES EINGANGSTORES
REGOLAZIONE DELLA VELOCITÀ DI CHIUSURA DEL CANCELLO
JUSTERING HASTIGHET AV GRINDENS STÄNGNING



4 SAZ12

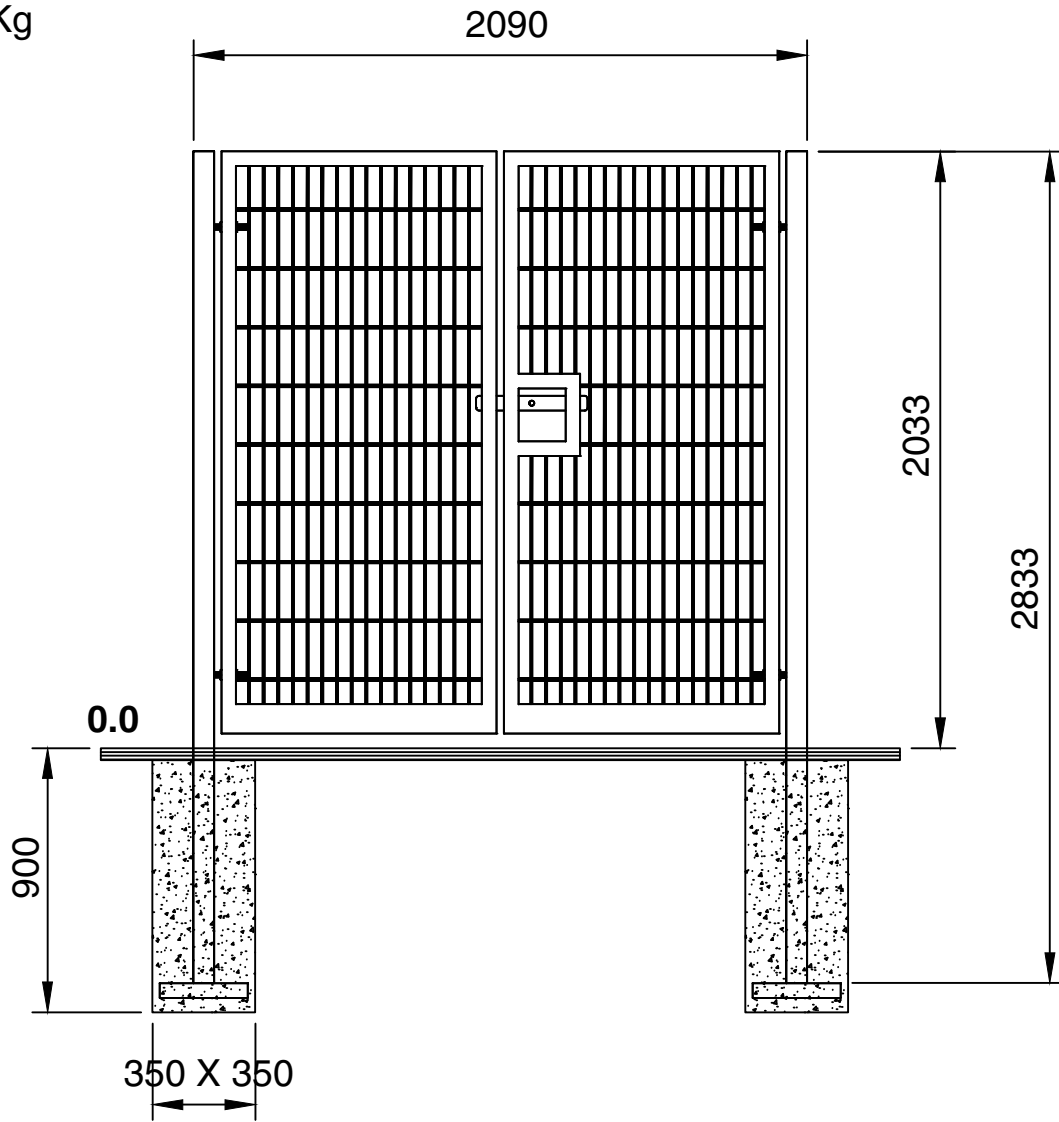


5 SAZ13

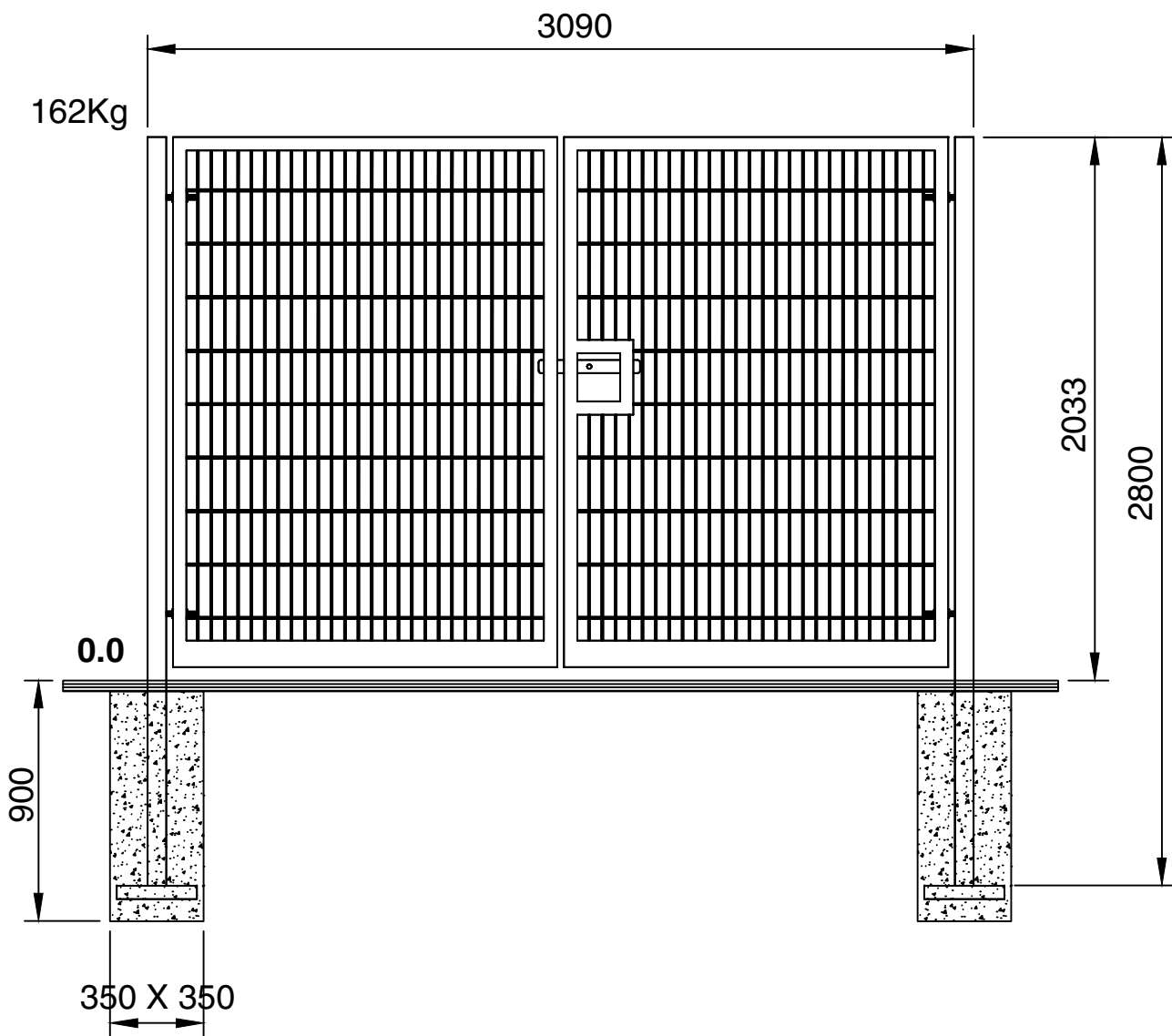


6 SAZ22

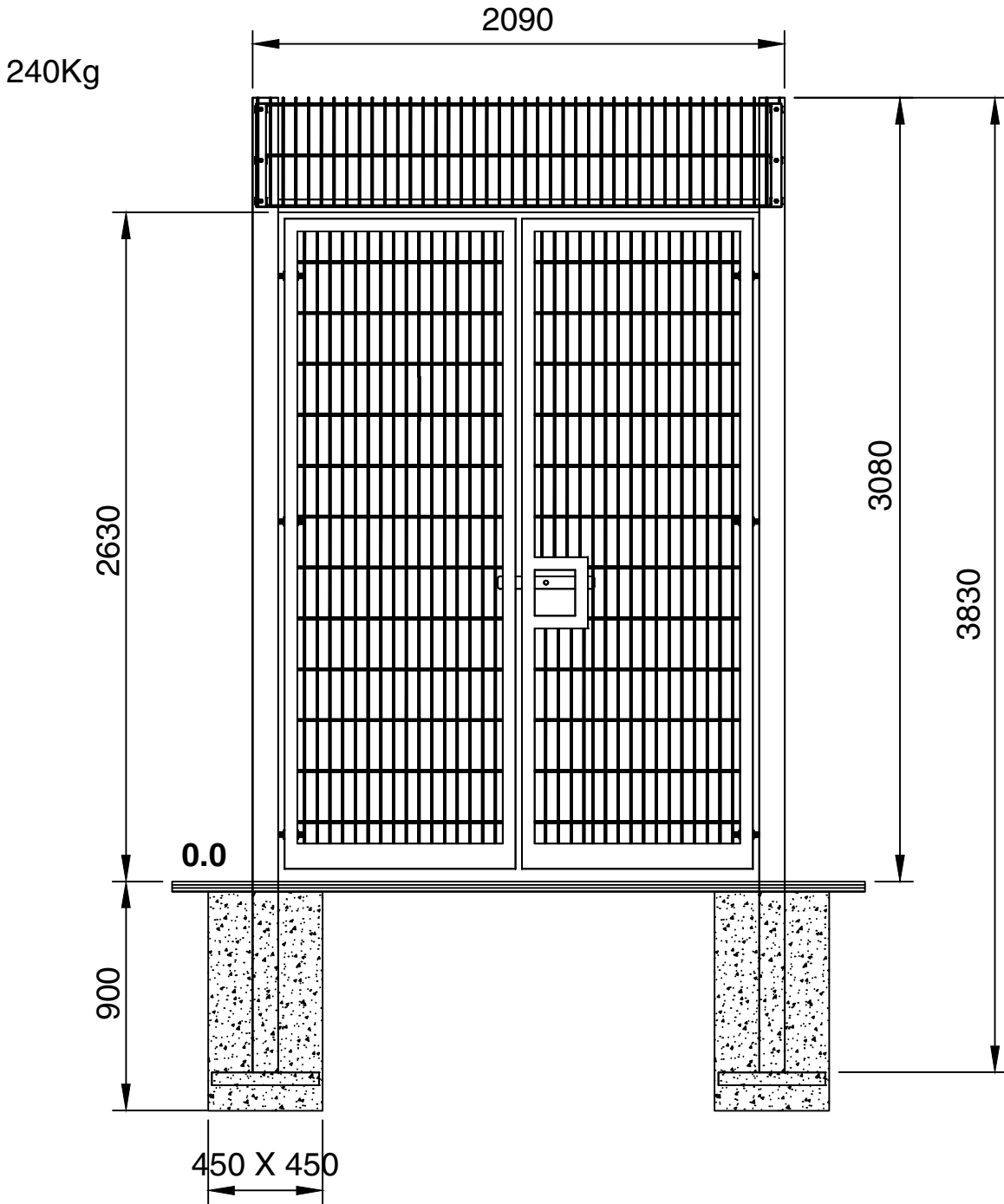
140Kg



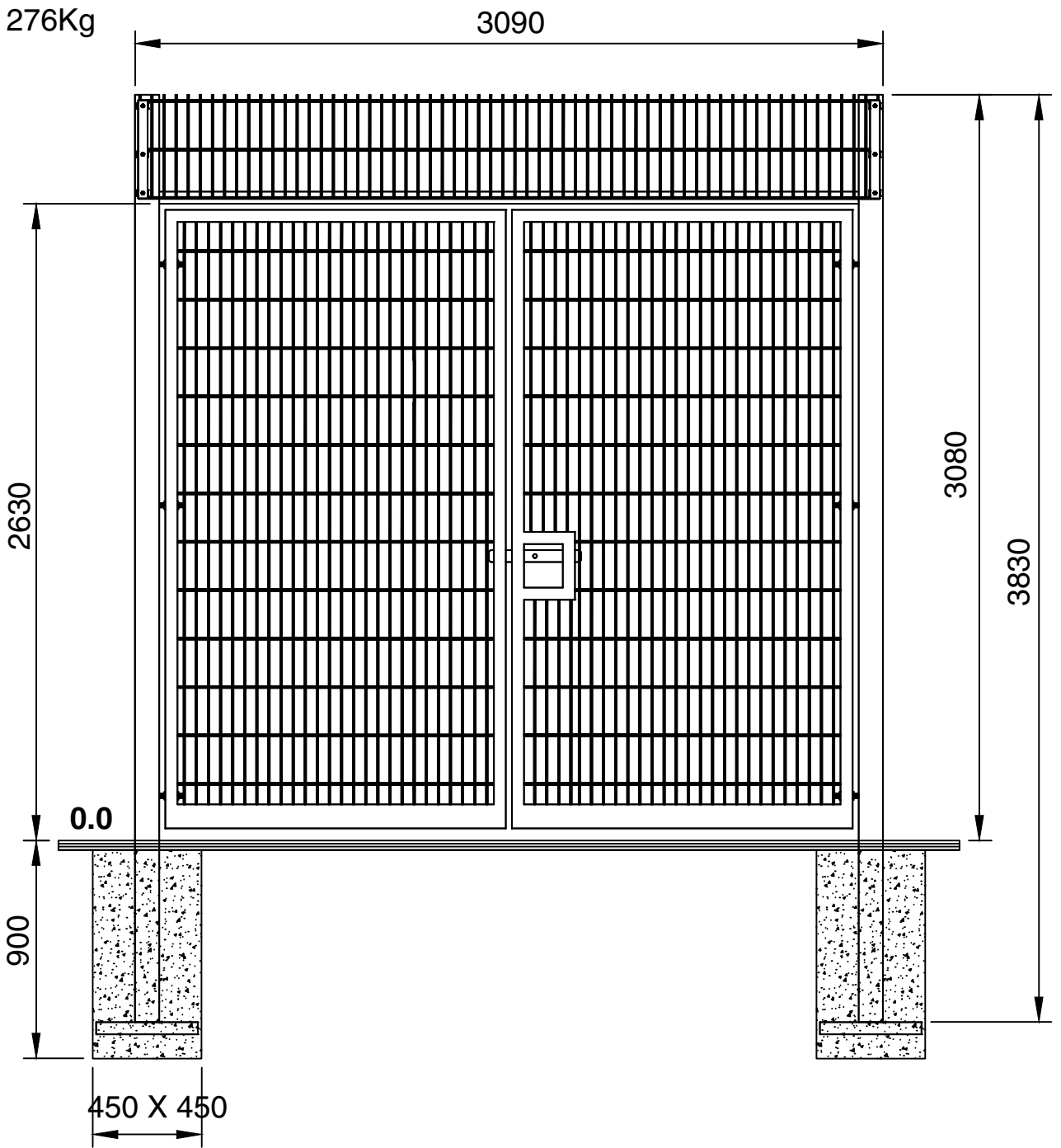
7 SAZ23



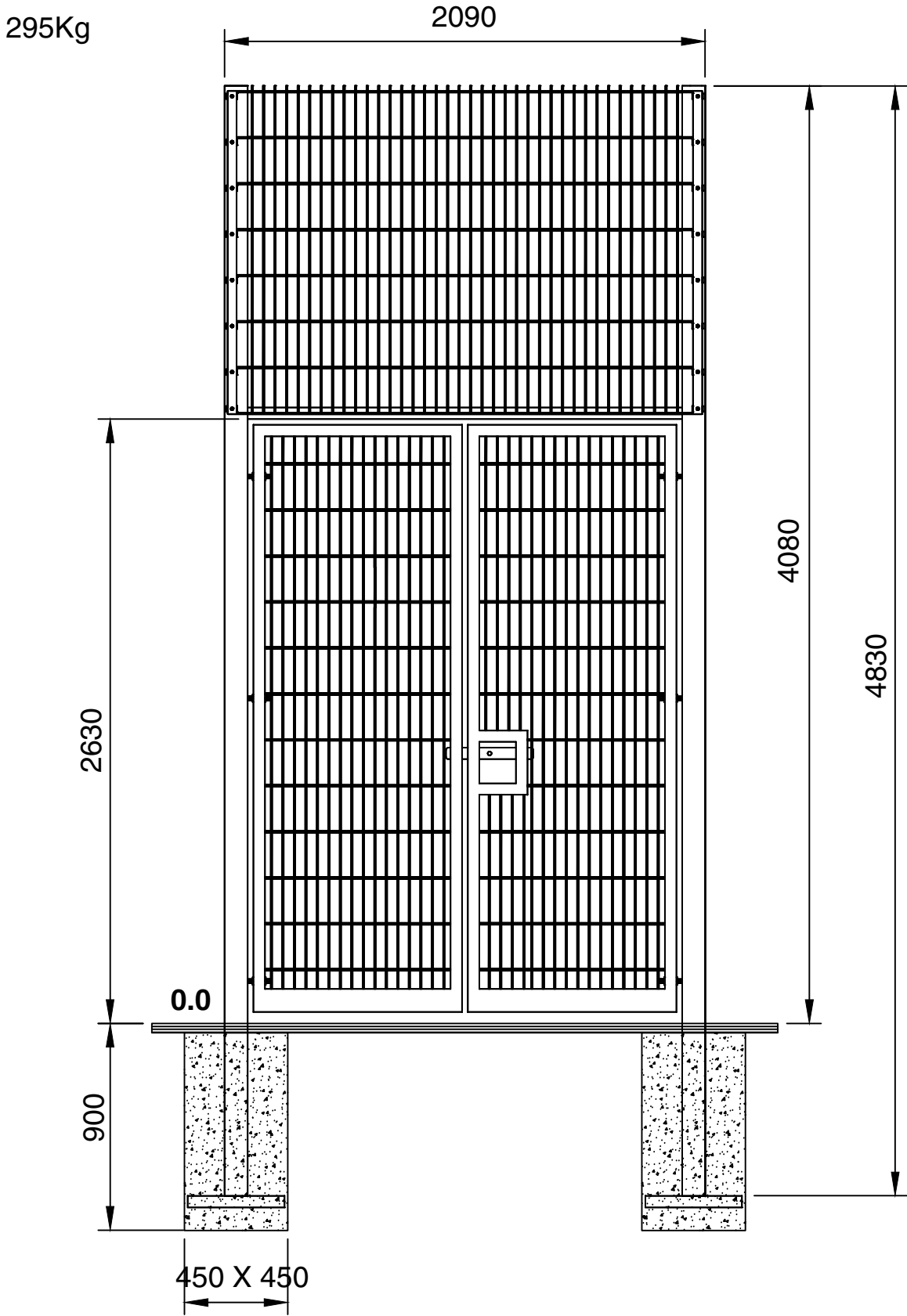
8 SAZ32



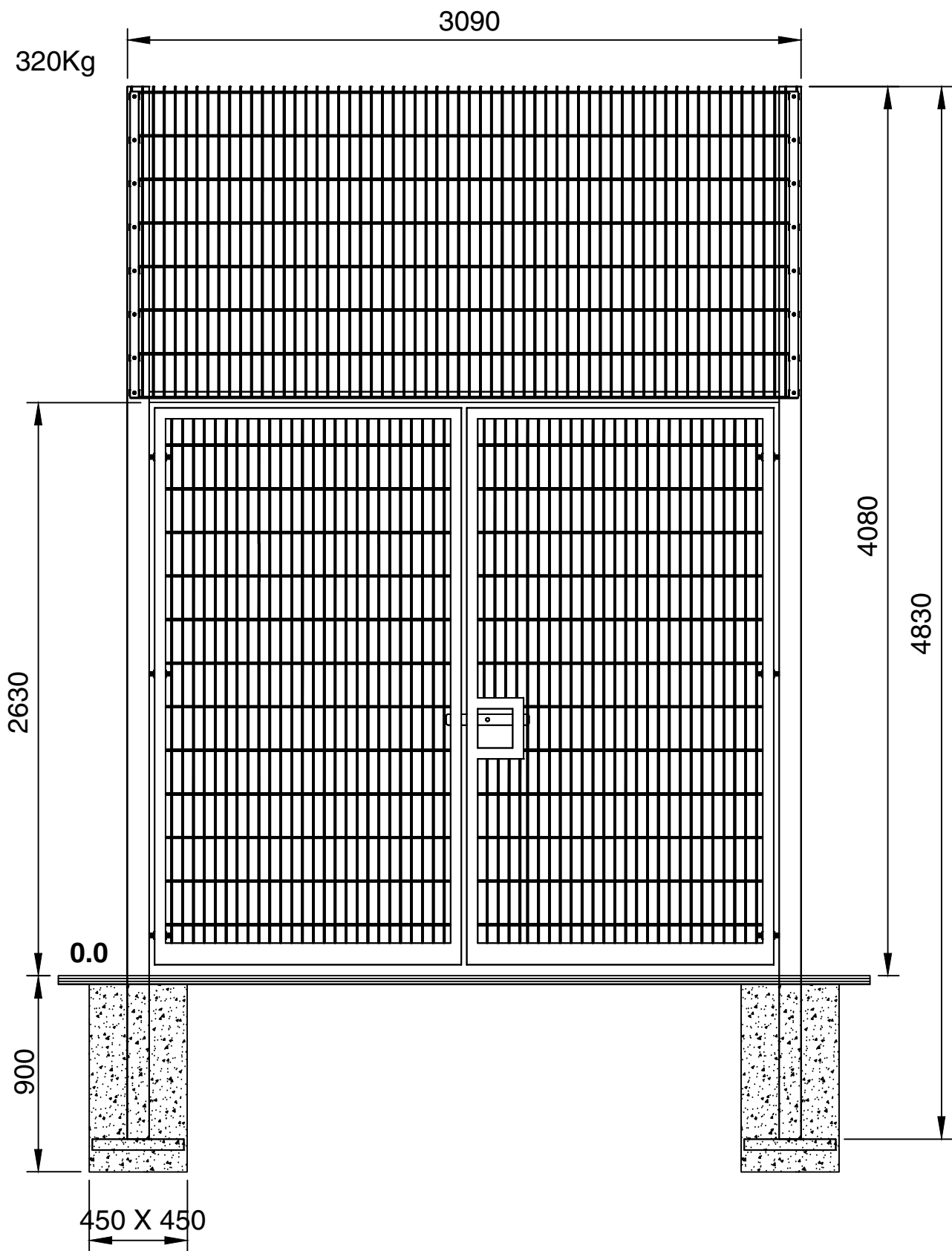
9 SAZ33

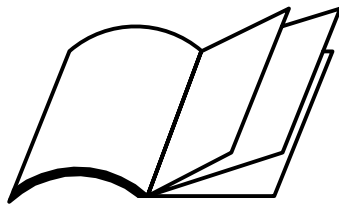


10 SAZ42



11 SAZ43

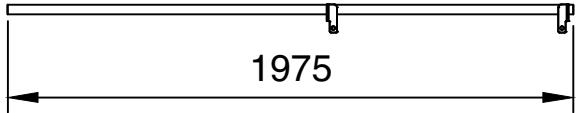




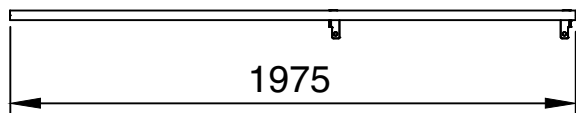
Section 8: NET EXTENSIONS / RALLONGES PARE-BALLONS / NETZ- VERLÄNGERUNGEN / ESTENSIONI RETI / FÖRLÄNGNINGSTOLPE

1

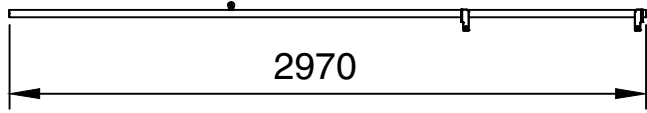
1.1 SABSL10

ITEM	REF		QTY	kg
1	24101012		1	5.00

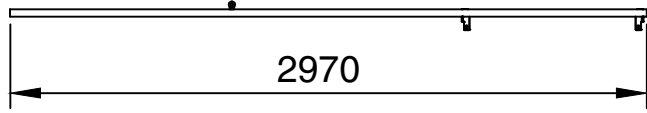
1.2 SABSR10

ITEM	REF		QTY	kg
1	24101018		1	5.00


1.3 SABSL20

ITEM	REF		QTY	kg
1	24102012		1	7.00

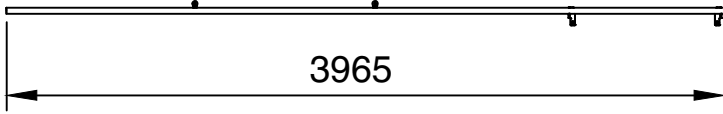
1.4 SABSR20

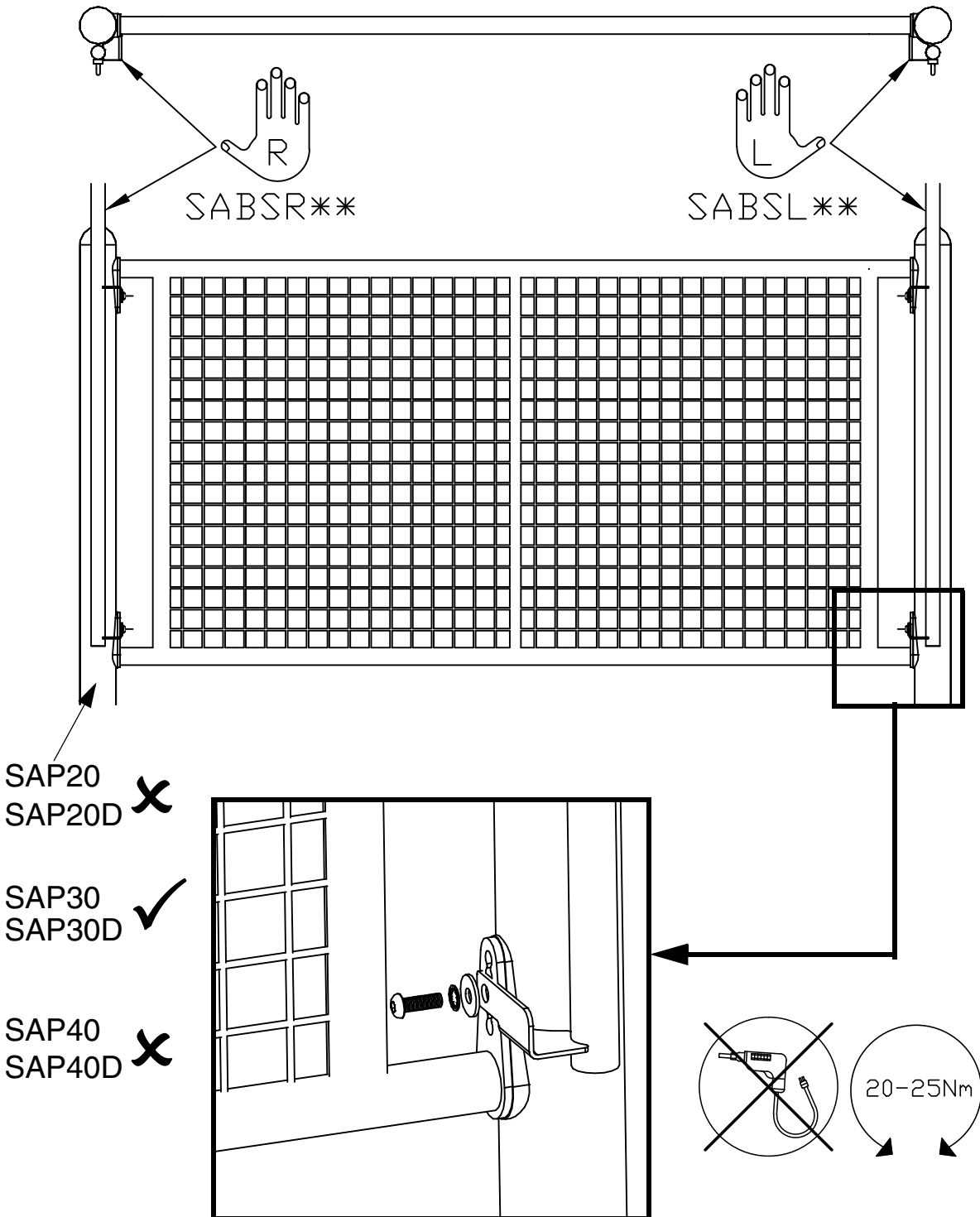
ITEM	REF		QTY	kg
1	24102018		1	7.00

1.5 SABSL30

ITEM	REF		QTY	kg
1	24103012		1	9.50

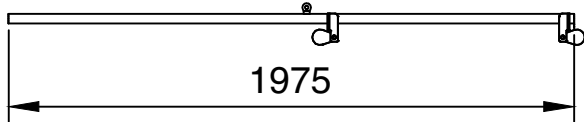
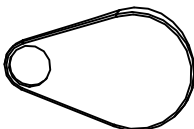
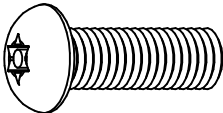
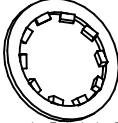
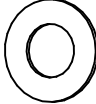
1.6 SABSR30

ITEM	REF		QTY	kg
1	24103018		1	9.50

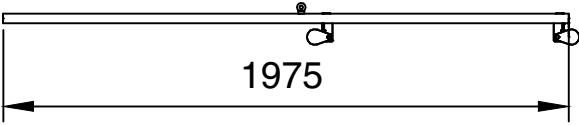
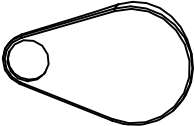
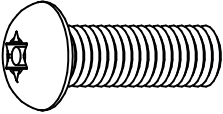
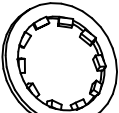
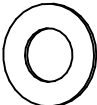


2

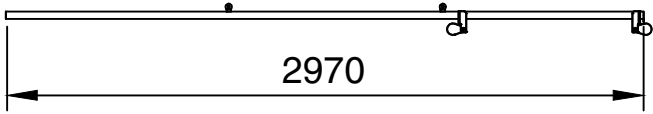
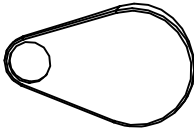
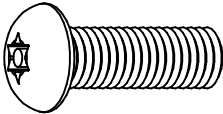
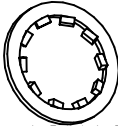
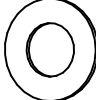
2.1 SABSL10S

ITEM	REF		QTY	kg
1	24111012		1	5.00
2	19025501		2	0.015
3	10121030	 M10 X 30	2	0.028
4	10301000	 M10 12X18X1	2	0.002
5	10291000	 M10 11X21X1	2	0.002

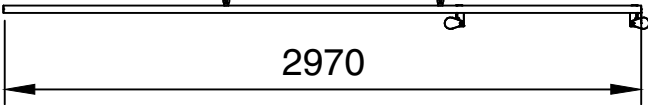
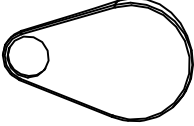
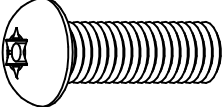
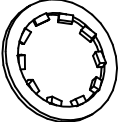
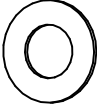
2.2 SABSR10S

ITEM	REF		QTY	kg
1	24111018		1	5.00
2	19025501		2	0.015
3	10121030	 M10 X 30	2	0.028
4	10301000	 M10 12X18X1	2	0.002
5	10291000	 M10 11X21X1	2	0.002

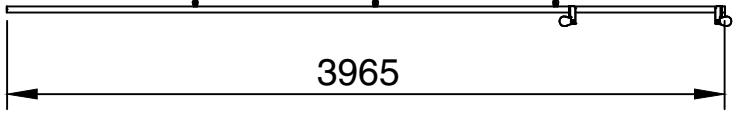
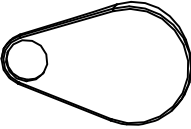
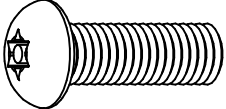
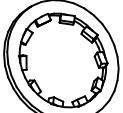
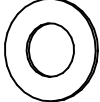
2.3 SABSL20S

ITEM	REF		QTY	kg
1	24112012		1	7.00
2	19025501		2	0.015
3	10121030	 M10 X 30	2	0.028
4	10301000	 M10 12X18X1	2	0.002
5	10291000	 M10 11X21X1	2	0.002

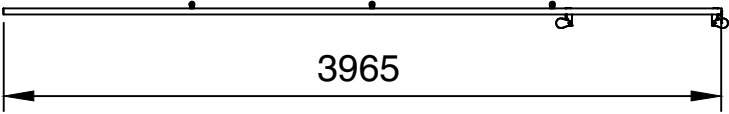
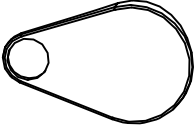
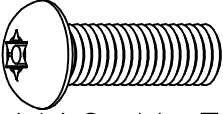
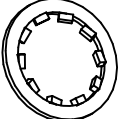
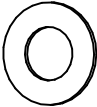
2.4 SABSR20S

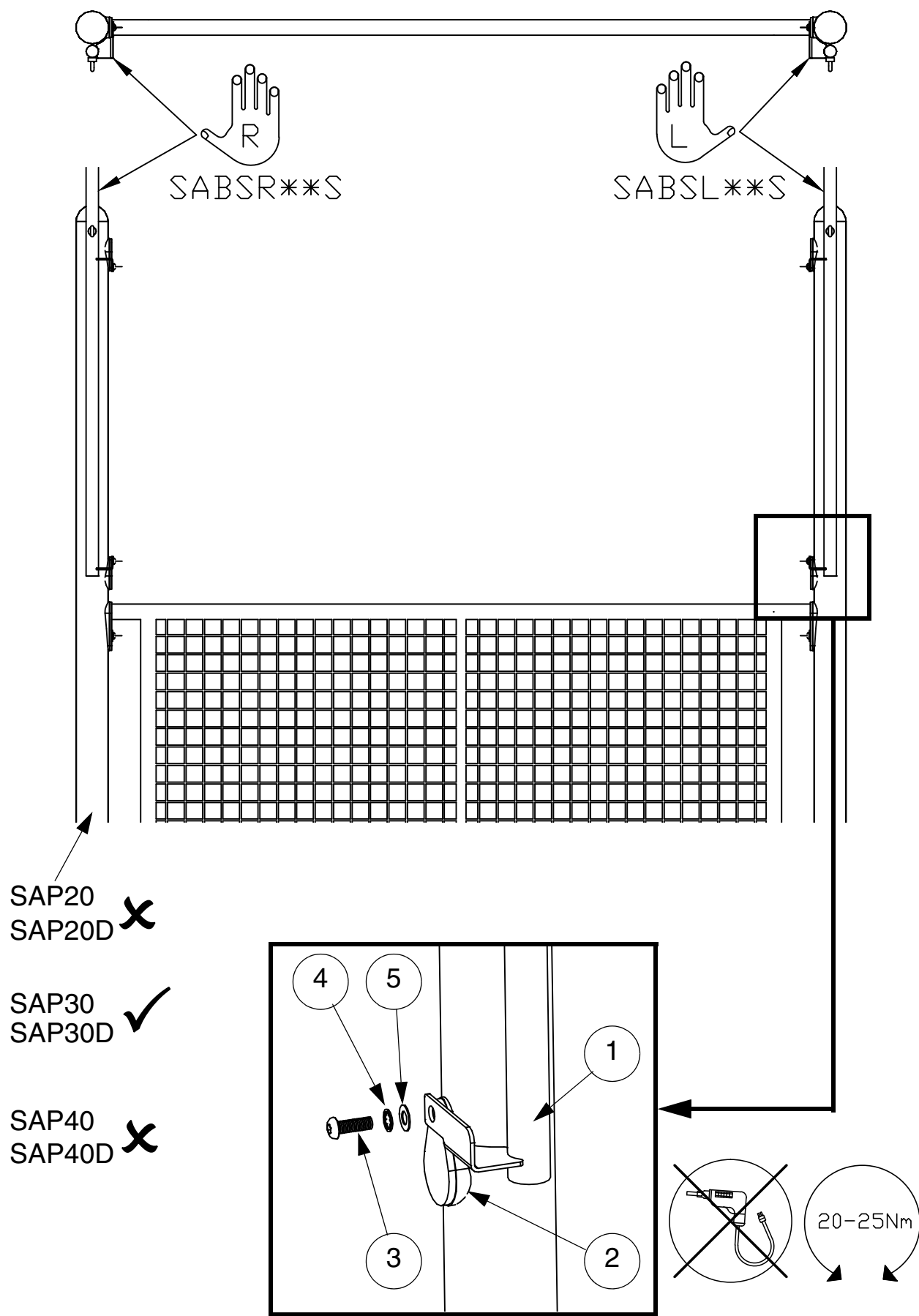
ITEM	REF		QTY	kg
1	24112018		1	7.00
2	19025501		2	0.015
3	10121030	 <p data-bbox="539 712 778 757">M10 X 30</p>	2	0.028
4	10301000	 <p data-bbox="517 913 759 949">M10 12X18X1</p>	2	0.002
5	10291000	 <p data-bbox="517 1093 759 1128">M10 11X21X1</p>	2	0.002

2.5 SABSL30S

ITEM	REF		QTY	kg
1	24113012		1	9.50
2	19025501		2	0.015
3	10121030	 <p data-bbox="614 716 853 761">M10 X 30</p>	2	0.028
4	10301000	 <p data-bbox="590 907 837 952">M10 12X18X1</p>	2	0.002
5	10291000	 <p data-bbox="590 1086 837 1131">M10 11X21X1</p>	2	0.002

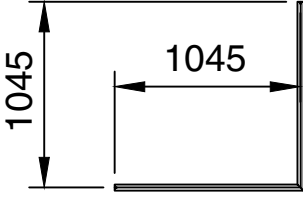
2.6 SABSR30S

ITEM	REF		QTY	kg
1	24113018		1	9.50
2	19025501		2	0.015
3	10121030	 <p data-bbox="539 712 778 757">M10 X 30</p>	2	0.028
4	10301000	 <p data-bbox="517 913 759 949">M10 12X18X1</p>	2	0.002
5	10291000	 <p data-bbox="517 1093 759 1128">M10 11X21X1</p>	2	0.002

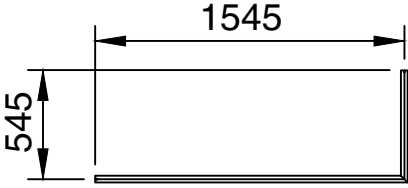


3

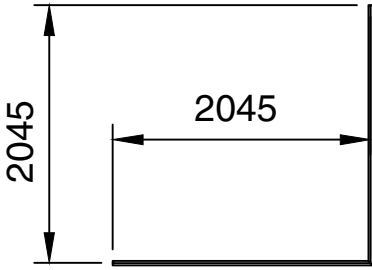
3.1 SABTA10

ITEM	REF		QTY	kg
1	24300550		1	5.00

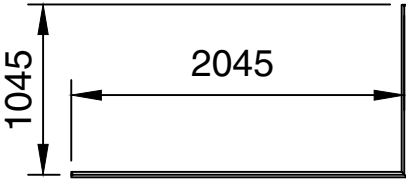
3.2 SABTA15

ITEM	REF		QTY	kg
1	24302040		1	4.50

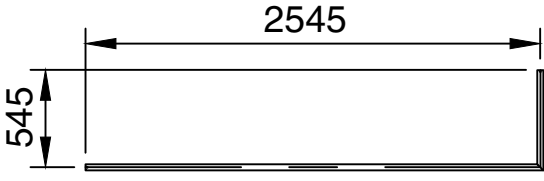
3.3 SABTA20

ITEM	REF		QTY	kg
1	24300555		1	9.50

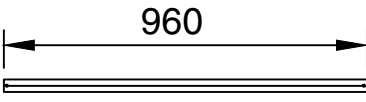
3.4 SABTA21

ITEM	REF		QTY	kg
1	24302045		1	7.00

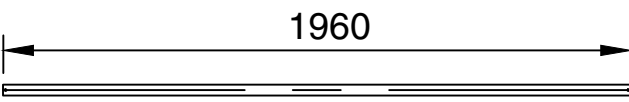
3.5 SABTA25

ITEM	REF		QTY	kg
1	24302050		1	6.75

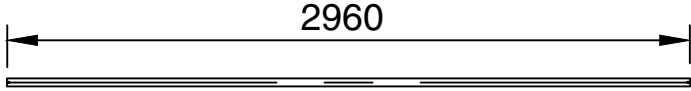
3.6 SABTS10

ITEM	REF		QTY	kg
1	24200960		1	2.25

3.7 SABTS20

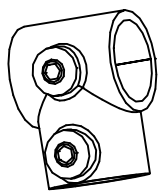
ITEM	REF		QTY	kg
1	24201960		1	4.50

3.8 SABTS30

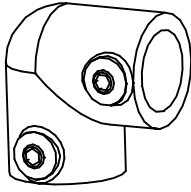
ITEM	REF		QTY	kg
1	24202960		1	7.00

4

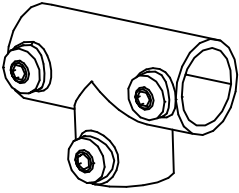
4.1 SABSF10

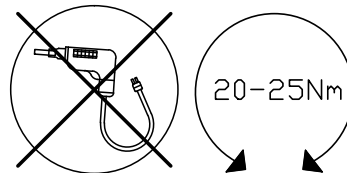
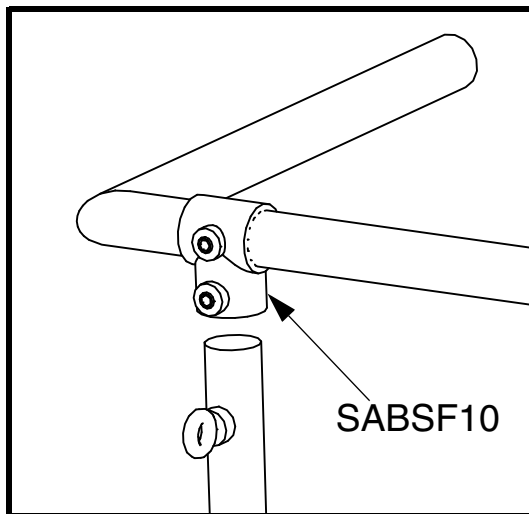
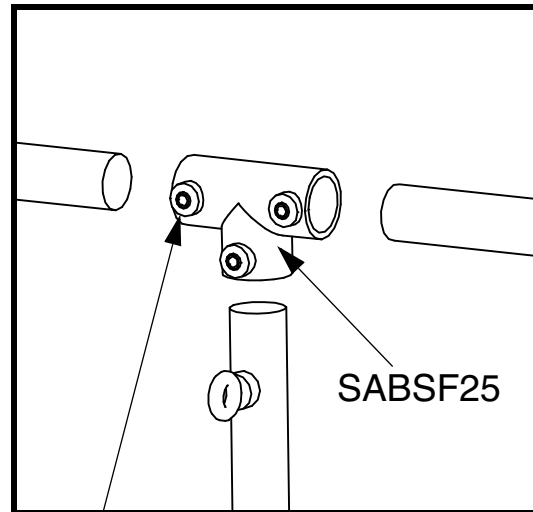
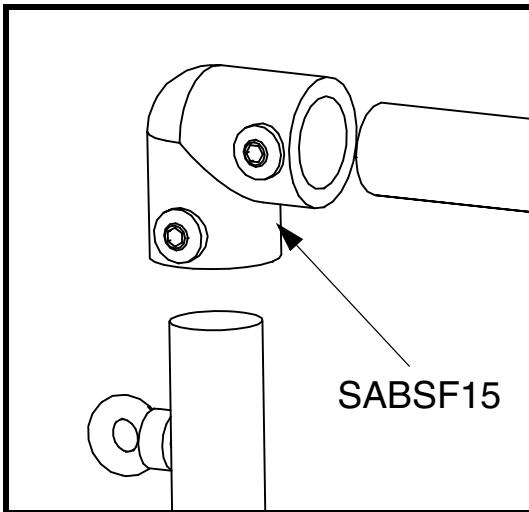
ITEM	REF		QTY	kg
1	16011006		1	0.29

4.2 SABSF15

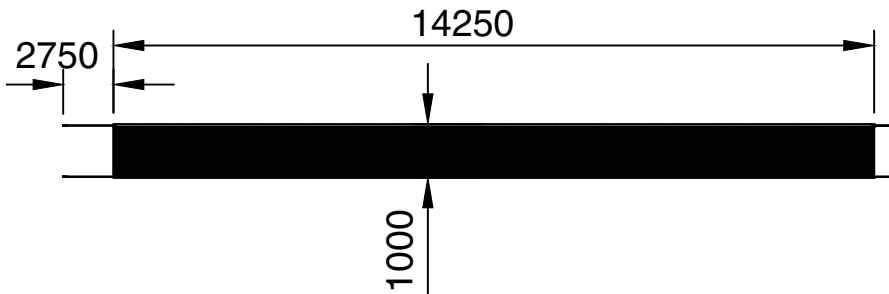
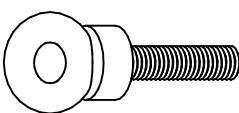
ITEM	REF		QTY	kg
1	16011506		1	0.37

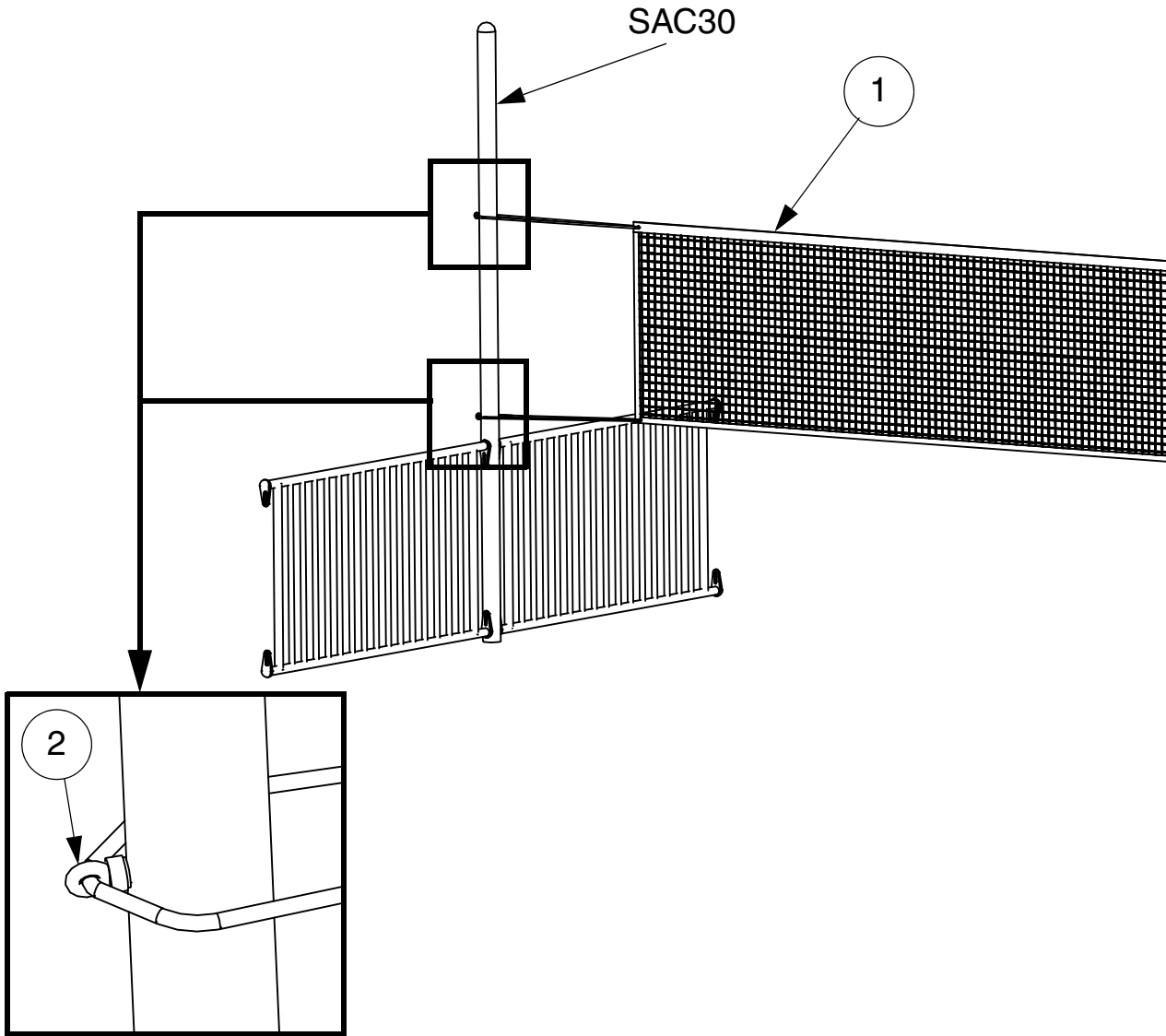
4.3 SABSF25

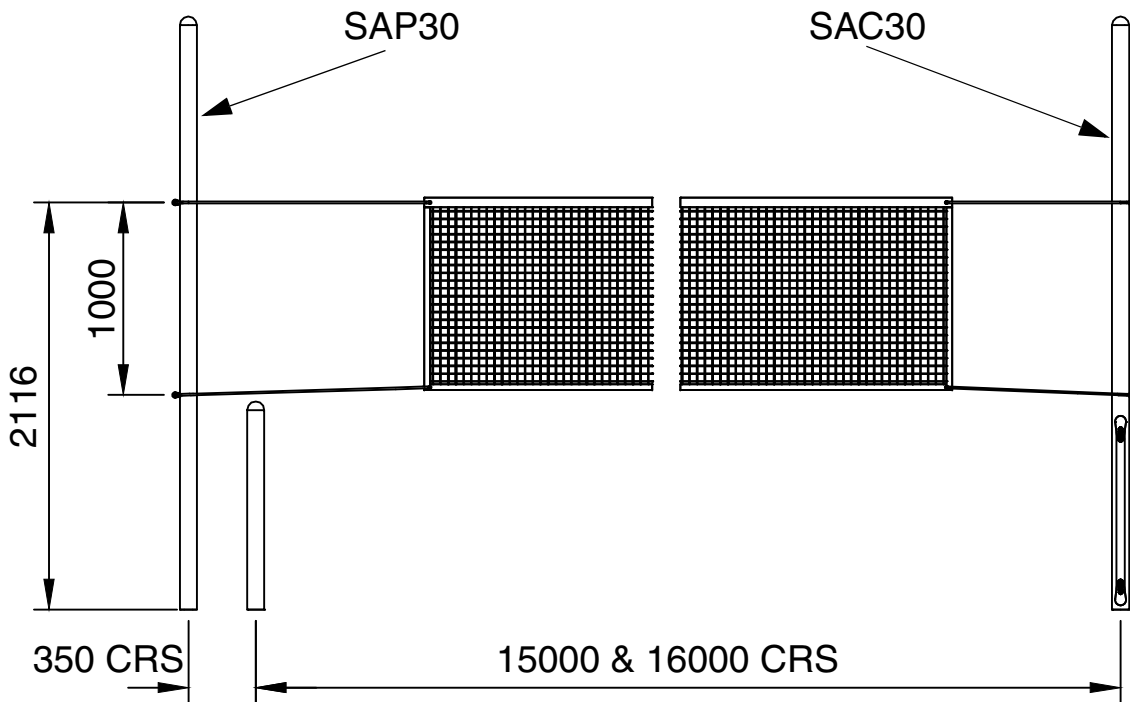
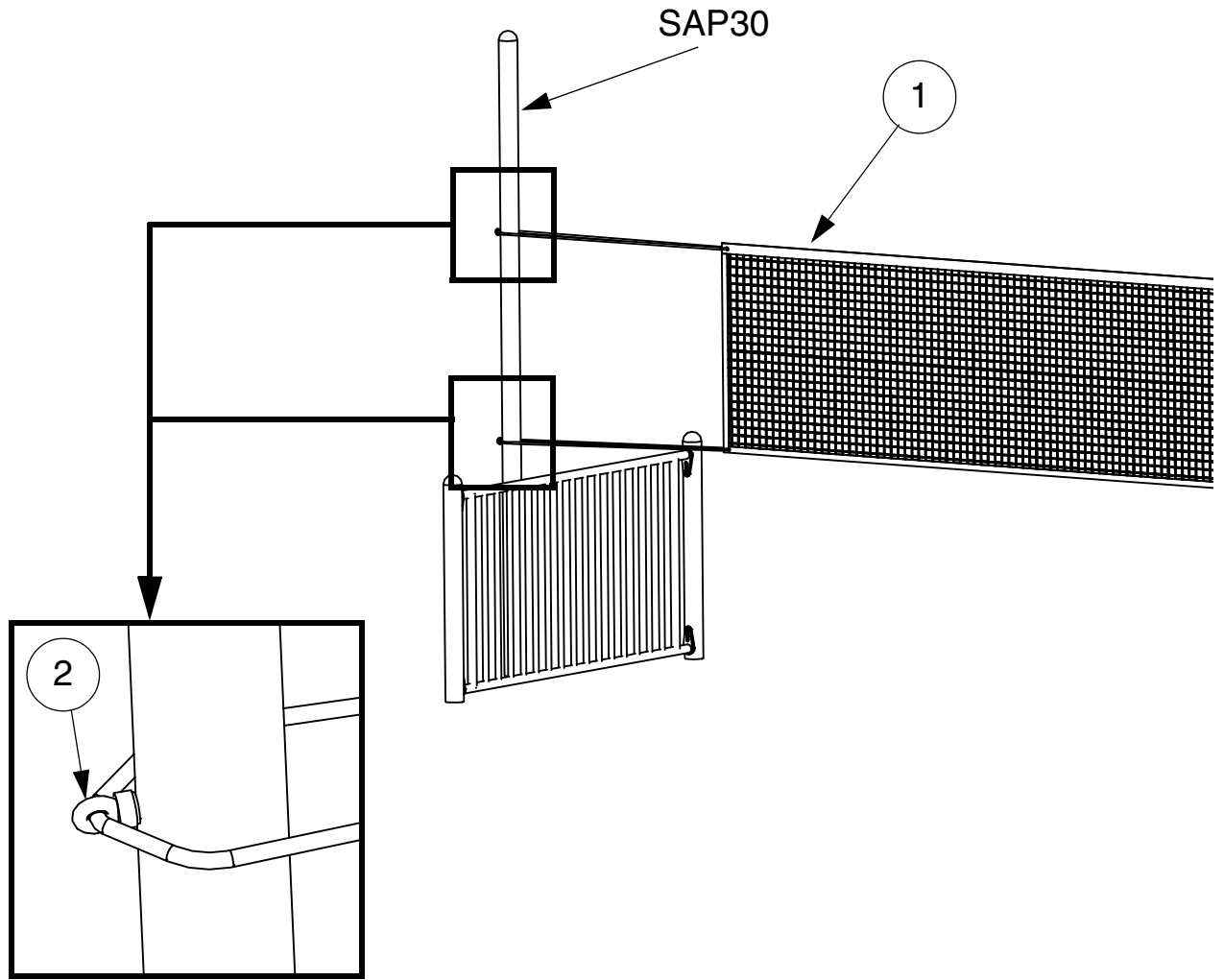
ITEM	REF		QTY	kg
1	16012506		1	0.49

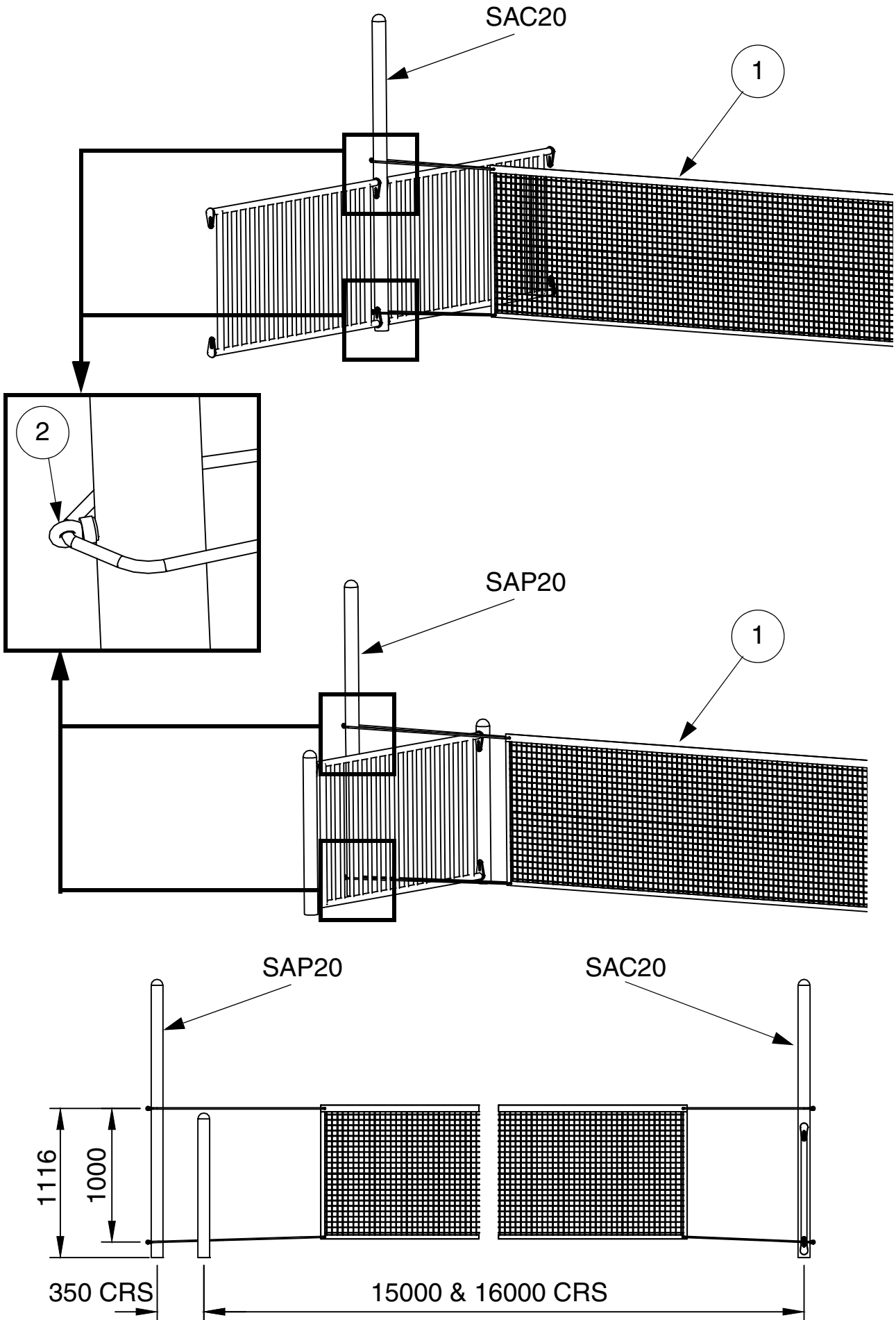


Section 9: TENNIS NET / FILET DE TENNIS / TENNIS-NETZ / RETE DA TENNIS / TENNISNÄT**1 SANET**

ITEM	CODE		QTY	kg
1	HUCK0034		1	3.70
2	15711010	 M10	4	0.105

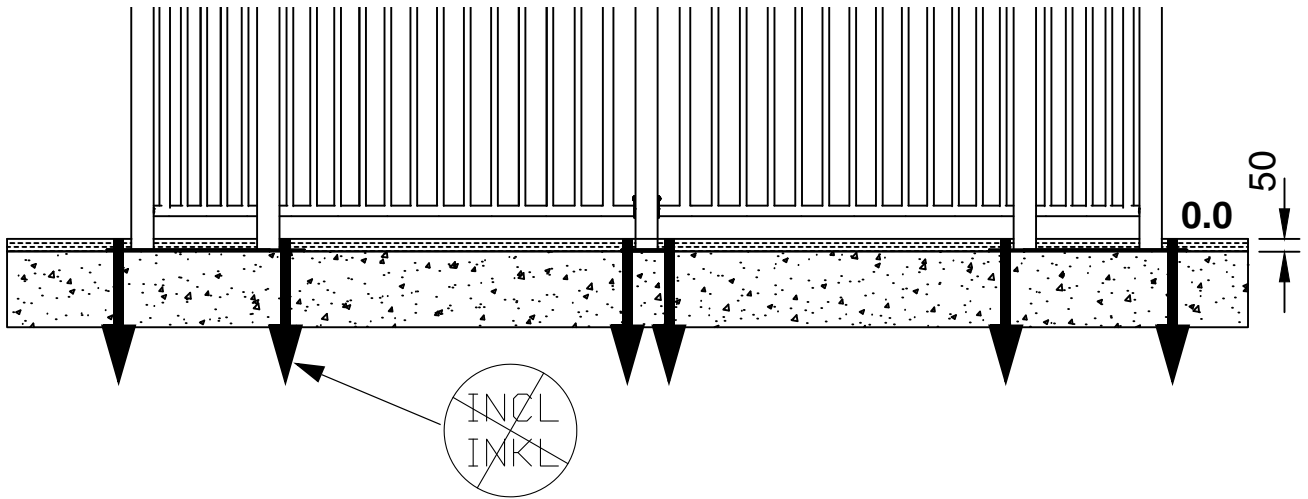




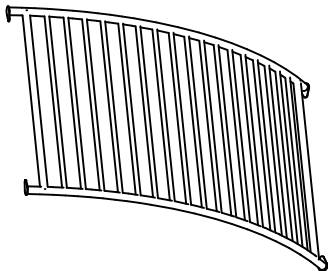
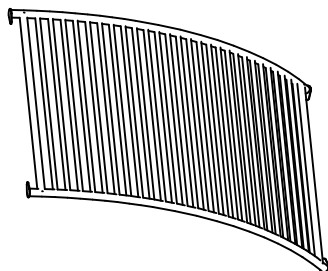
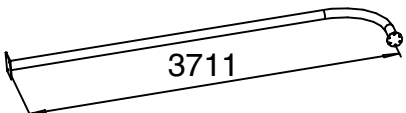
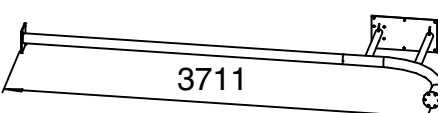
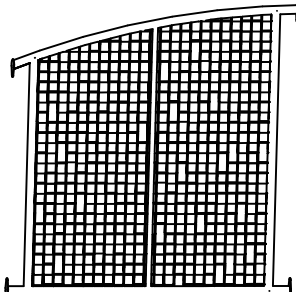
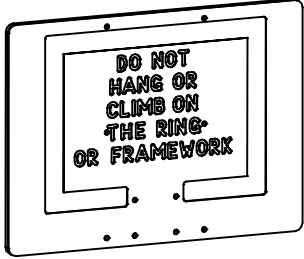
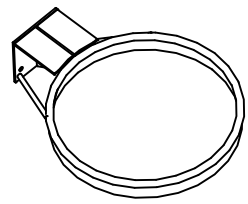


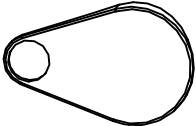
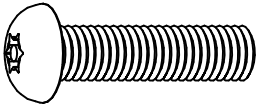

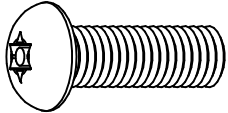
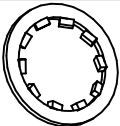
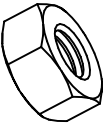
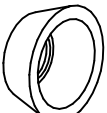
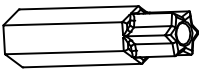
**Appendix A: GOALS DECK MOUNTED / BUTS SUR PLATINES / TORE OBERERDIG
MONTIERT / PORTE DA CALCETTO FILO SUOLO / MÅL OVAN MARK
MONTERING**

**1 SAG2BD, SAGSMD, SAG2RD, SAGMRD, SAG2BBD, SAG2RBD, SAGMRBD &
SAGSMBD**

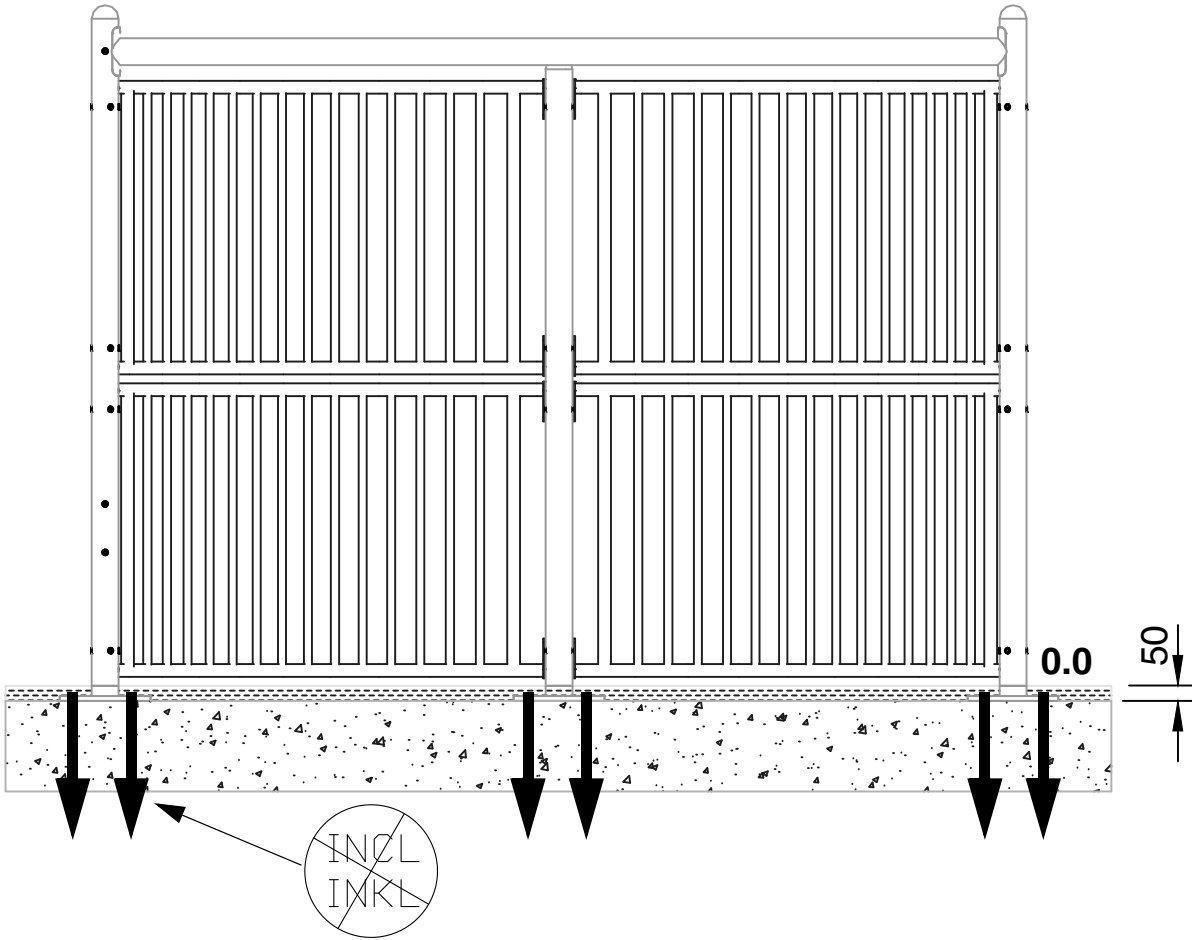


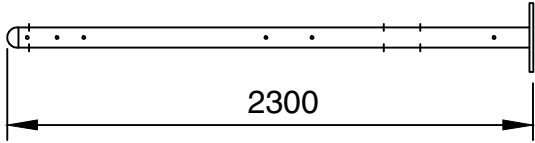
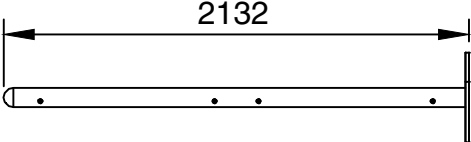
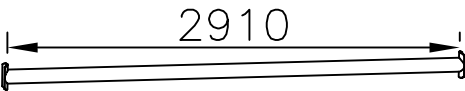
ITEM	REF.		QTY								kg
			SAG2BD	SAGSMD	SAG2RD	SAGMRD	SAG2BBD	SAG2RBD	SAGMRBD	SAGSMBD	
1.1	24000101DM		SET OF 2		SET OF 2		SET OF 2	SET OF 2			70.00
	24000102DM			SET OF 2		SET OF 2			SET OF 2	SET OF 2	82.00
1.2	25000205						1				27.00
1.3	25000201						1				14.00

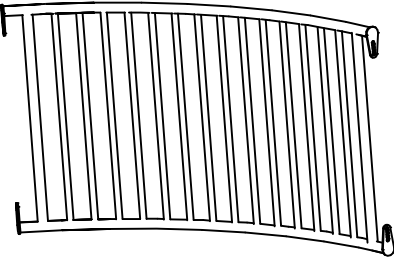
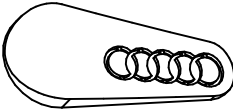
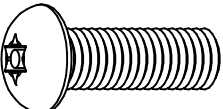
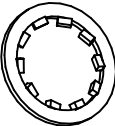
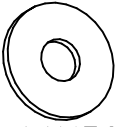
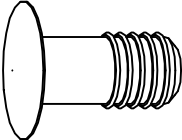
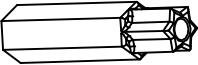
ITEM	REF.		QTY								kg
			SAG2BD	SAGSMD	SAG2RD	SAGMRD	SAG2BBD	SAG2RBD	SAGMRBD	SAGSMBD	
1.4	24000301		4	4			4			4	50.00
	24000305				4	4		4	4		68.00
1.5	24000111DM		1								48.00
	24000115DM						1				61.00
1.6	25000405		2								26.00
1.7	24000905						1				7.500
1.8	25000907						1				8.000

ITEM	REF.		QTY								kg
			SAG2BD	SAGSMD	SAG2RD	SAGMRD	SAG2BBD	SAG2RBD	SAGMRBD	SAGSMBD	
1.9	19025501		24								0.015
1.10	10121040	 M10 X 40					4				0.037
1.11	10121035	 M10 X 35					6				0.032
1.12	10121030	 M10 X 30	30								0.028
1.13	10301000	 M10 12X18X1	30				50				0.002
1.14	10271000	 M10					10				0.020
1.15	10411000	 M10					10				0.020
1.16		 T45 M10	1								

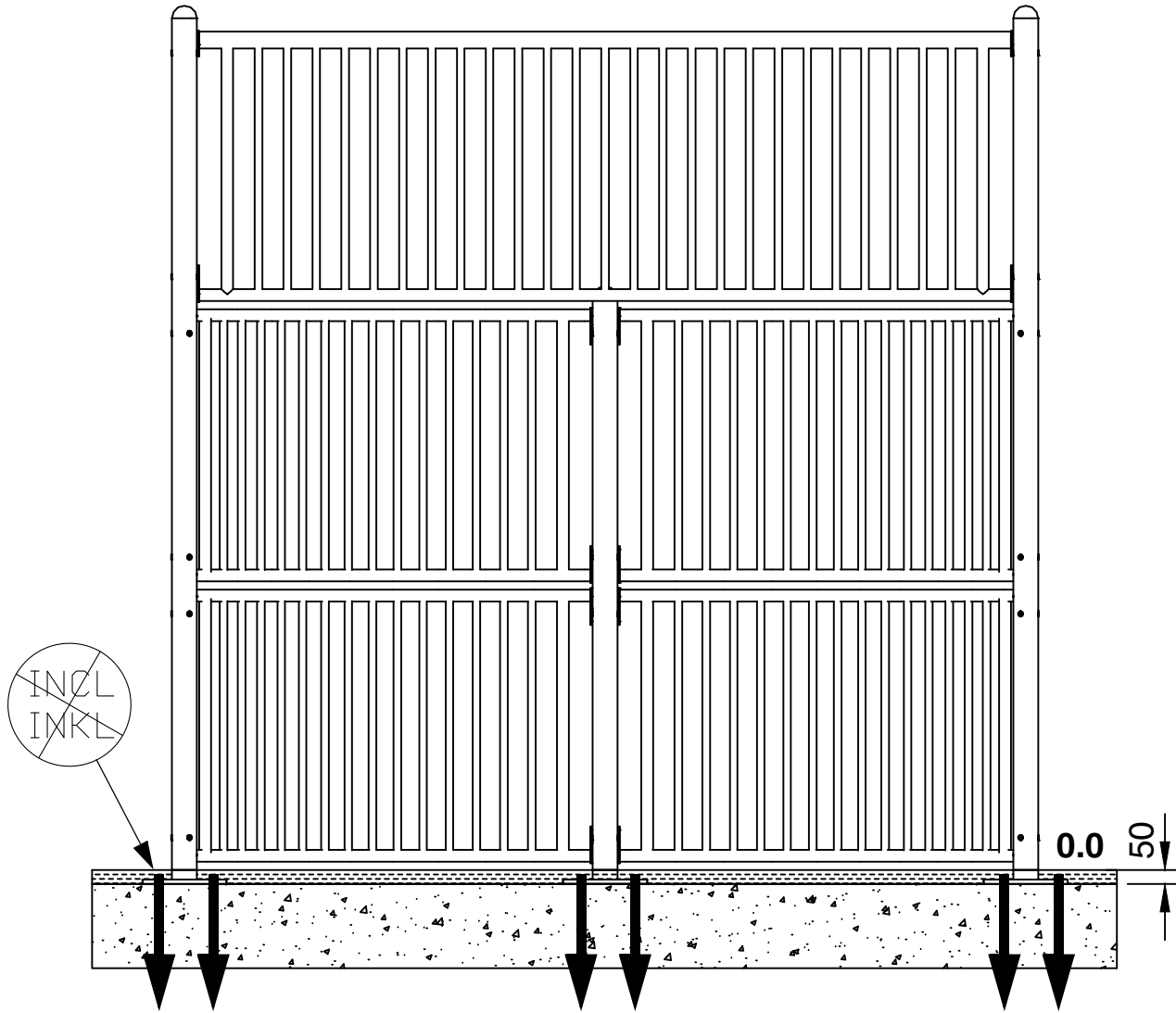
2 SAGF2D

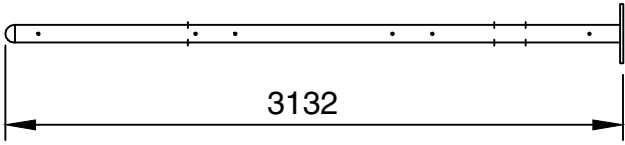
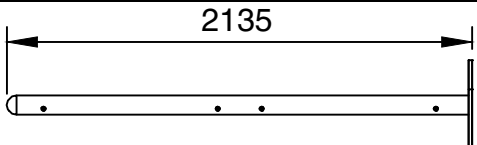
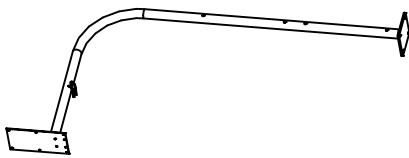


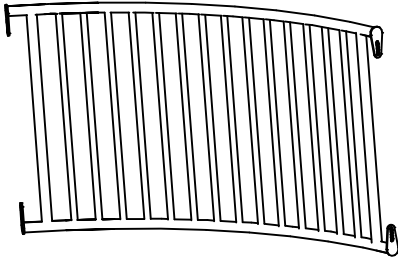
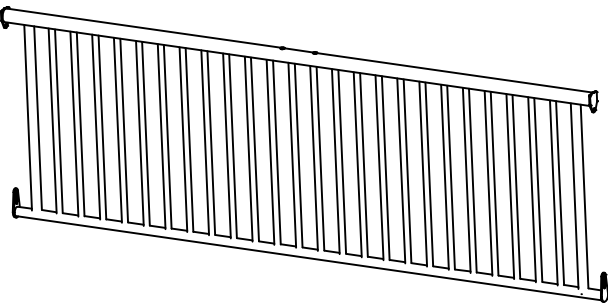
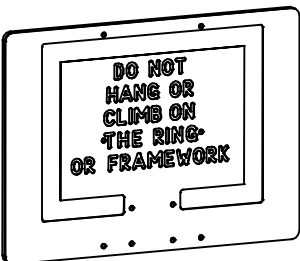
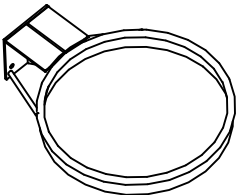
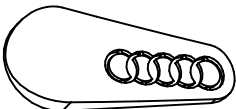
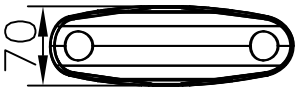
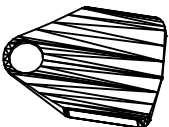

ITEM	CODE		SAGF2D	kg
4.1	24000132DM		2	23.00
4.2	24000105DM		1	20.00
4.3	25000205		1	27.00

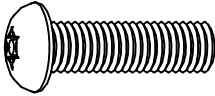
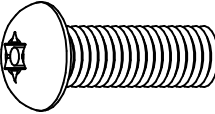
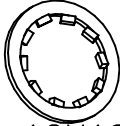
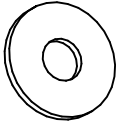
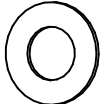
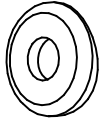

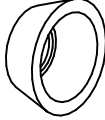
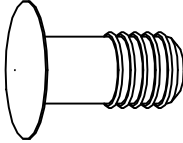
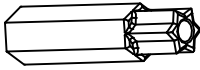
ITEM	CODE		SAGF2D	kg
4.4	24000615		4	35.50
4.5	19022401		16	0.010
4.6	10121030	 M10 X 30	20	0.028
4.7	10301000	 M10 12X18X1	20	0.002
4.8	10309999	 M10 11X30X2.5	16	0.011
4.9	19024501		24	0.001
5.0	10121000	 T45 M10	1	

3 SAGF3D & SAGF3BD

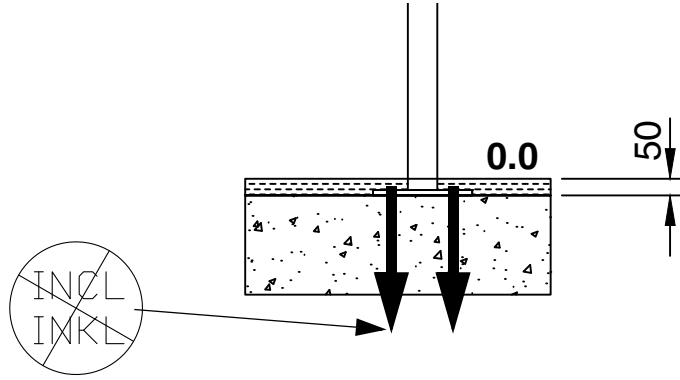


ITEM	CODE		SAGF3D	SAGF3BD	kg
5.1	24000134DM			2	29.50
5.2	24000105DM		1		20.00
	24000112DM			1	

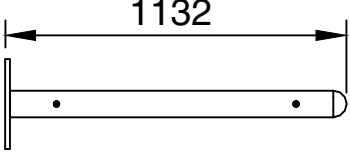
ITEM	CODE		SAGF3D	SAGF3BD	kg
5.3	24000615			4	35.50
5.4	24000610			1	68.00
5.5	24000905			1	7.50
5.6	25000907			1	8.00
5.7	19022401			18	0.010
5.8	19023803			1	0.050
5.9	19024503			2	0.020
5.10	10121040	 M10 X 40		6	0.037

ITEM	CODE		SAGF3D	SAGF3BD	kg
5.11	10121035	 M10 X 35		6	0.032
5.12	10121030	 M10 X 30	20	26	0.028
5.13	10301000	 M10 12X18X1	20	40	0.002
5.14	10309999	 M10 11X30X2.5	18		0.011
5.15	10291000	 M10 11X21X1	2	4	0.002
5.16	38001019	 M10 12X32X6.5		2	0.002
5.17	10271000	 M10		20	0.020
5.18	10411000	 M10		20	0.020
5.19	19024501		26	24	0.001
5.20	10121000	 T45 M10	1		

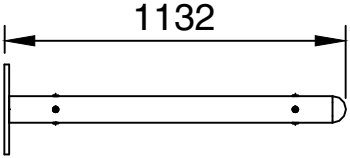
Appendix B: POSTS DECK MOUNTED / POTEAUX SUR PLATINES / PFOSTEN OBERERDIG MONTIERT / PALI FILO SUOLO / STOLPAR OVAN MARK MONTERING



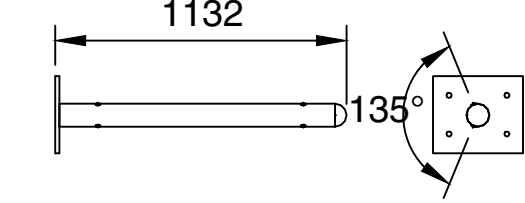
1 SAP10D

ITEM	REF.		QTY	kg
1	24000103DM		1	15.00

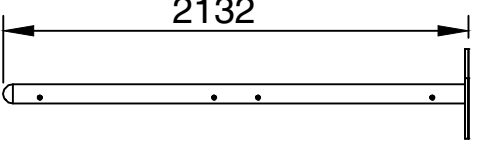
2 SAC10D

ITEM	REF.		QTY	kg
1	24000104DM		1	15.00

3 SAO10D

ITEM	REF.		QTY	kg
1	24000130DM		1	15.00

4 SAP20D

ITEM	REF.		QTY	kg
1	24000105DM		1	20.00

5 SAC20D

ITEM	REF.		QTY	kg
1	24000106DM		1	20.00

6 SAP30D

ITEM	REF.		QTY	kg
1	24000107DM		1	29.50

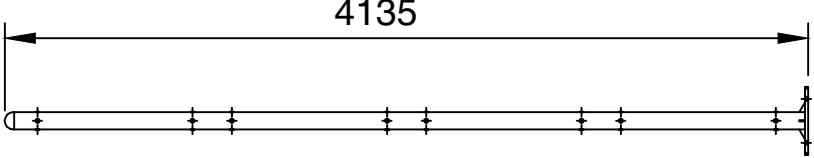
7 SAC30D

ITEM	REF.		QTY	kg
1	24000108DM		1	29.50

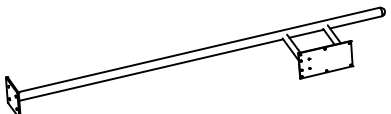
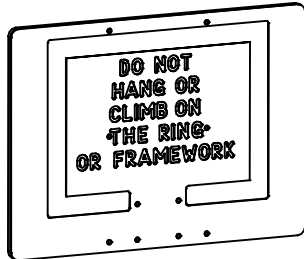
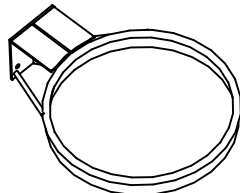


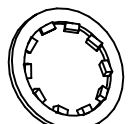
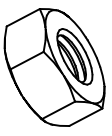
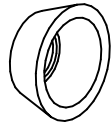
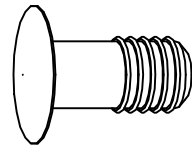
8 SAP40D

ITEM	REF.		QTY	kg
1	24000109DM		1	38.50

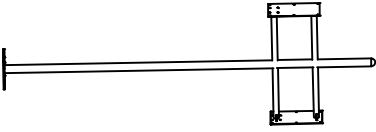
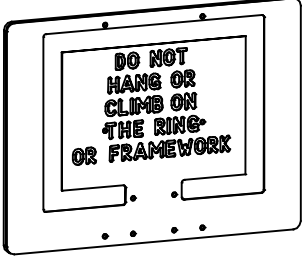
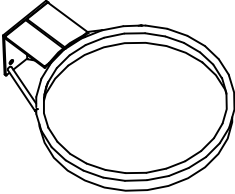
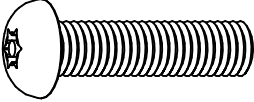



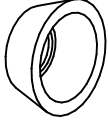
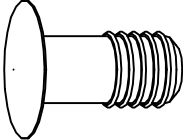
9 SAC40D

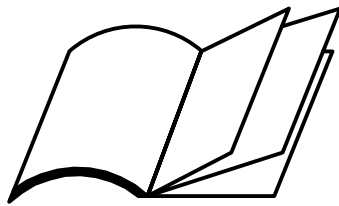
ITEM	REF.		QTY	kg
1	24000110DM		1	38.50

10 SAP41D

ITEM	REF.		QTY	kg
1	24000119DM		1	54.00
2	24000905		1	7.500
3	25000907		1	8.000
4	10121040	 M10 X 40	4	0.037
5	10121035	 M10 X 35	6	0.032
6	10301000	 M10 12X18X1	20	0.002
7	10271000	 M10	10	0.020
8	10411000	 M10	10	0.020
9	19024501		24	0.001

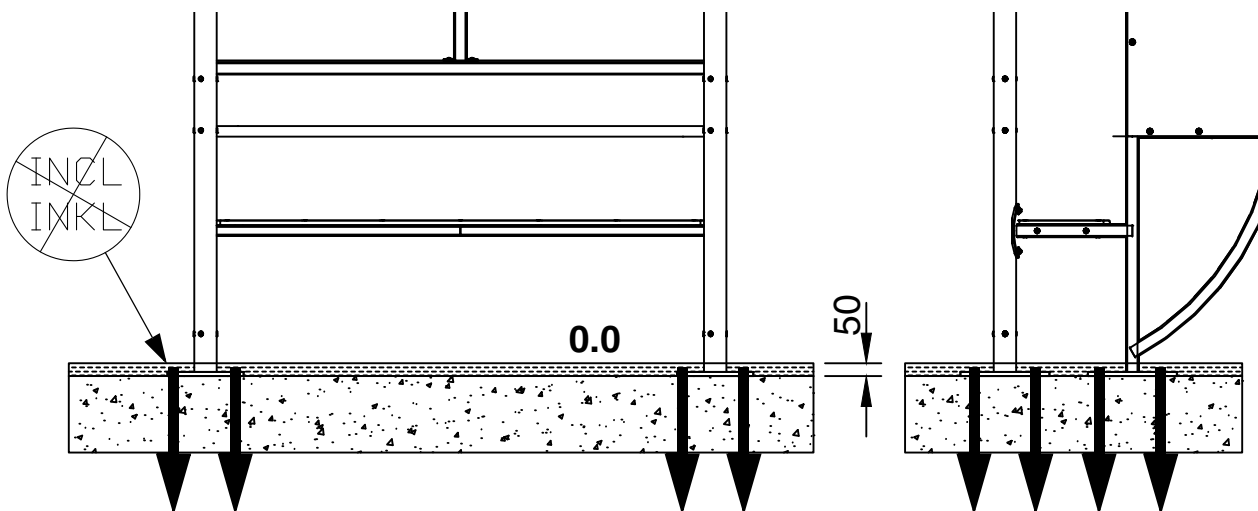
11 SAP42D

ITEM	REF.		QTY	kg
1	24000129DM		1	62.00
2	24000905		2	7.500
3	25000907		2	8.000
4	10121040	 M10 X 40	8	0.037
5	10121035	 M10 X 35	12	0.032
6	10301000	 M10 12X18X1	40	0.002
7	10271000	 M10	20	0.020
8	10411000	 M10	20	0.020
9	19024501		24	0.001

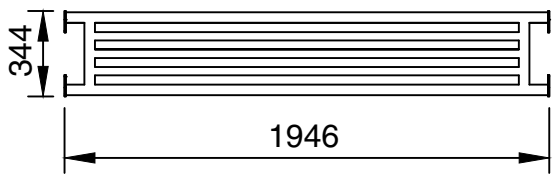
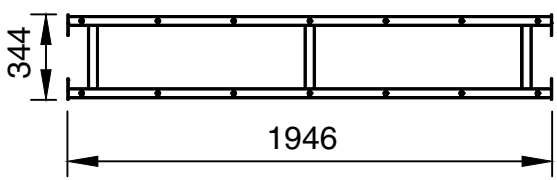
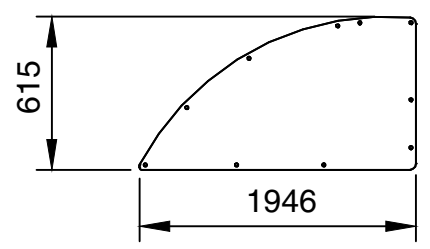
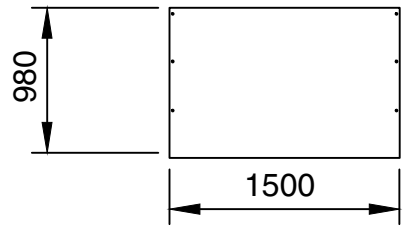
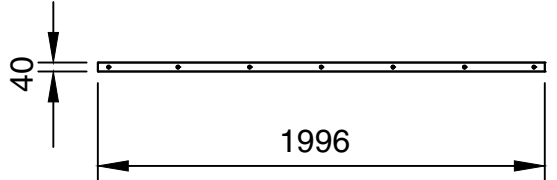
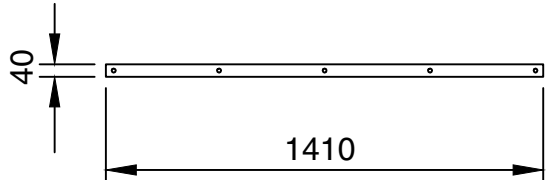
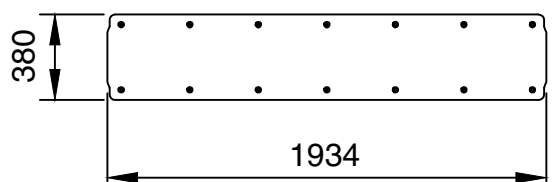


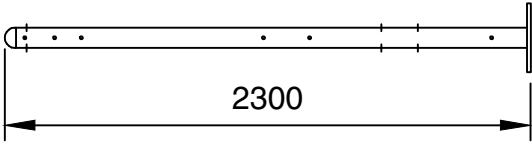
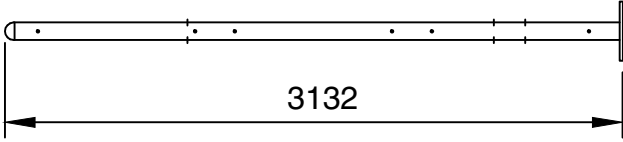

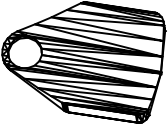
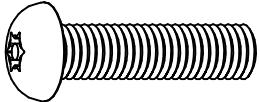
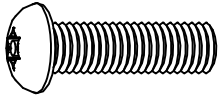
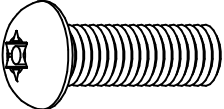
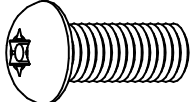
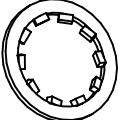
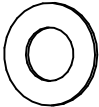
**Appendix C: SEAT DECK MOUNTED & ACCESS / PLACES ASSISES & ACCES SUR
 PLATINES / SITZGELEGENHEITEN & ZUGANGE OBERERDIG MONTIERT /
 ESDUTA FILO SUOLO & ACCESSO / BÄNKER FÖR OVAN MARK
 FÖRANKING & INGANG**


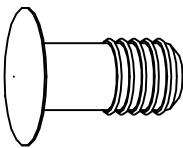
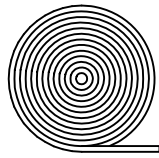
1 SAH22D, SAH23D, SAH42D & SAH43D



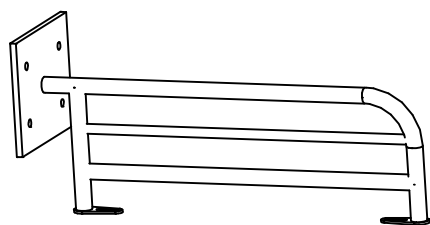
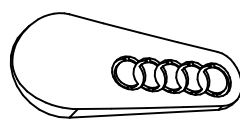
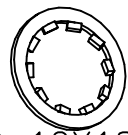
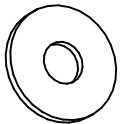
ITEM	CODE		SAH22D	SAH23D	SAH42D	SAH43D	kg
1	24004300DM		2	3			28.00
2	24004305		1	2			6.00
3	24004310		2	4			8.50

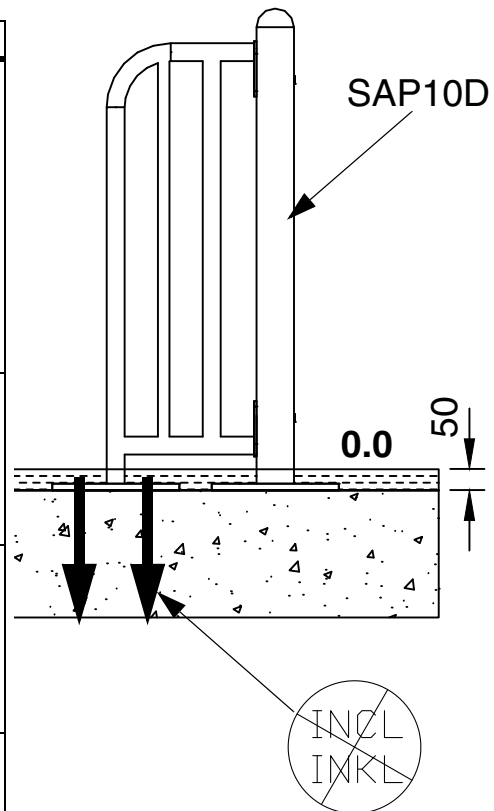
ITEM	CODE		SAH22D	SAH23D	SAH42D	SAH43D	kg
4	24004315		1		2		25.50
5	24004320		1		2		17.50
6	24004010				2		16.50
7	24004015		2		4		23.50
8	24004020		2		4		3.25
9	24004025		3		5		2.25
10	24004500		1		2		13.00

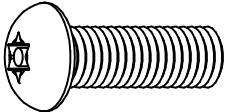
ITEM	CODE		SAH22D	SAH23D	SAH42D	SAH43D	kg
11	24000132DM		2		3		23.00
12	24000134DM			2		3	29.50
13	19023802		2		3		.050
14	19024503		2		3		0.020
15	10121040	 M10 X 40	4		6		0.037
16	10121035	 M10 X 35	36		71		0.032
17	10121030	 M10 X 30	29		53		0.028
18	10121025	 M10 X 25	20				0.024
19	10301000	 M10 12X18X1	4		6		0.002
20	10291000	 M10 11X21X1	85		144		0.011

ITEM	CODE		SAH22D	SAH23D	SAH42D	SAH43D	kg
21	38001019	 M10 12X32X6.5	4		6		0.002
22	19024501		48	36	70	58	0.001
23	19027126		2		4		-

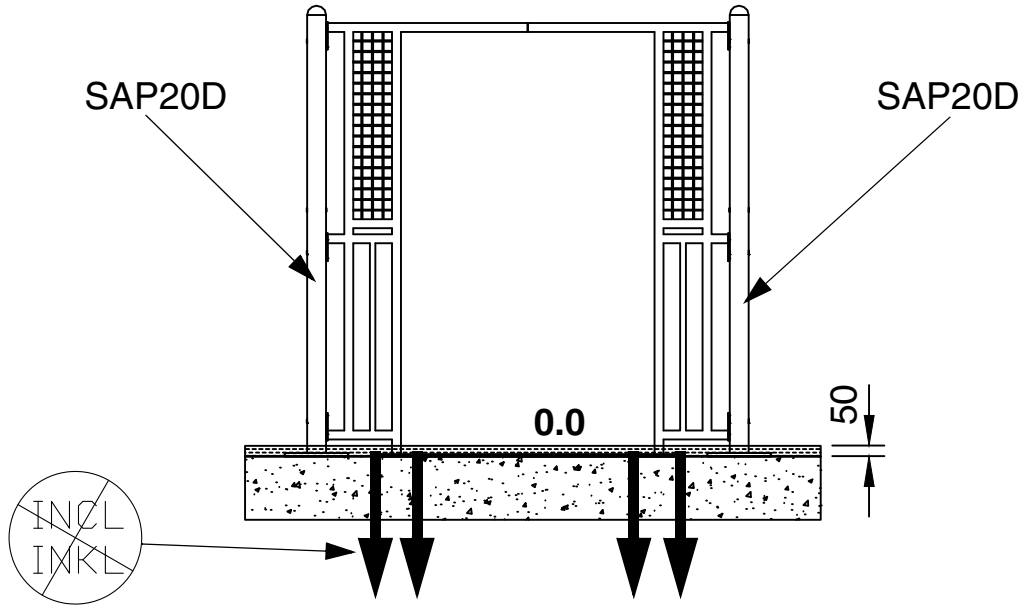
2 SAEPSD

ITEM	REF		QTY	kg
1	24000606DM		1	12.50
2	19022401		2	0.010
3	10301000	 M10 12X18X1	2	0.002
4	10309999	 M10 11X30X2.5	2	0.011



5	10121030	 M10 X 30	2	0.028
---	----------	---	---	-------

3 SAEPDD



ITEM	REF		QTY	kg
1	24000607DM		1	59.00
2	19022401		6	0.010
3	10301000	 M10 12X18X1	6	0.002
4	10309999	 M10 11X30X2.5	6	0.011
5	10121030	 M10 X 30	6	0.028