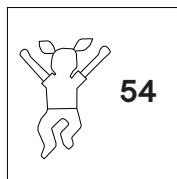
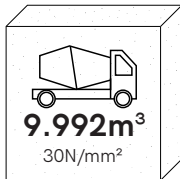
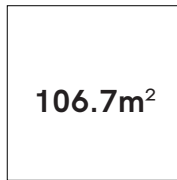
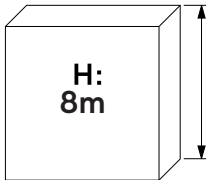
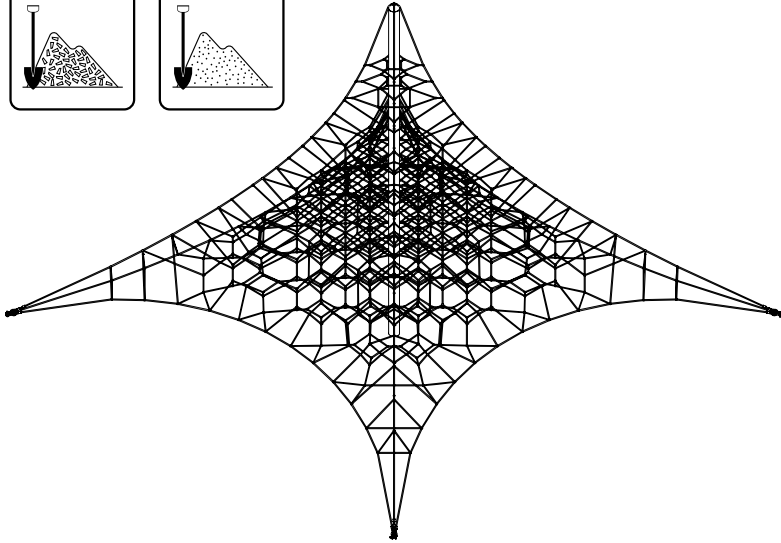




ACTIVE 8000

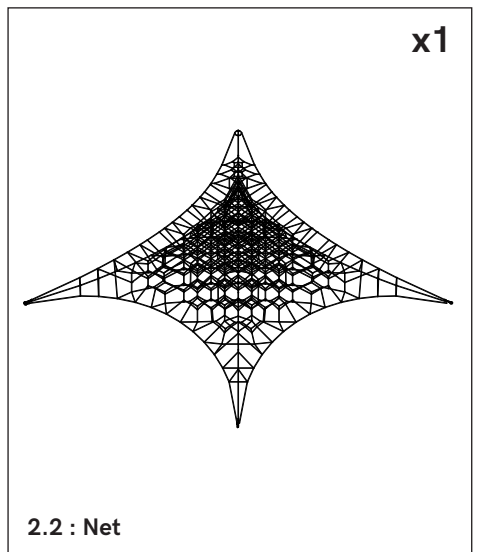
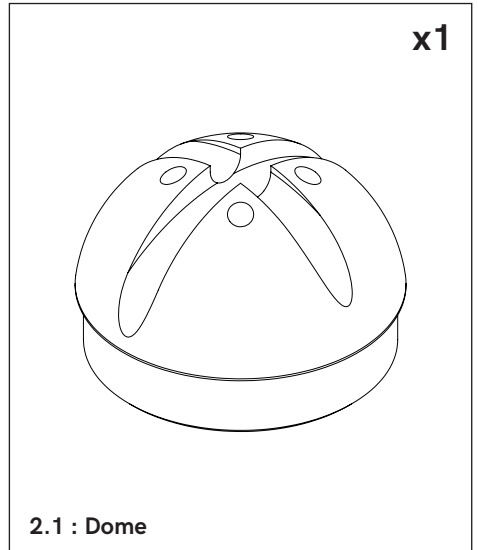
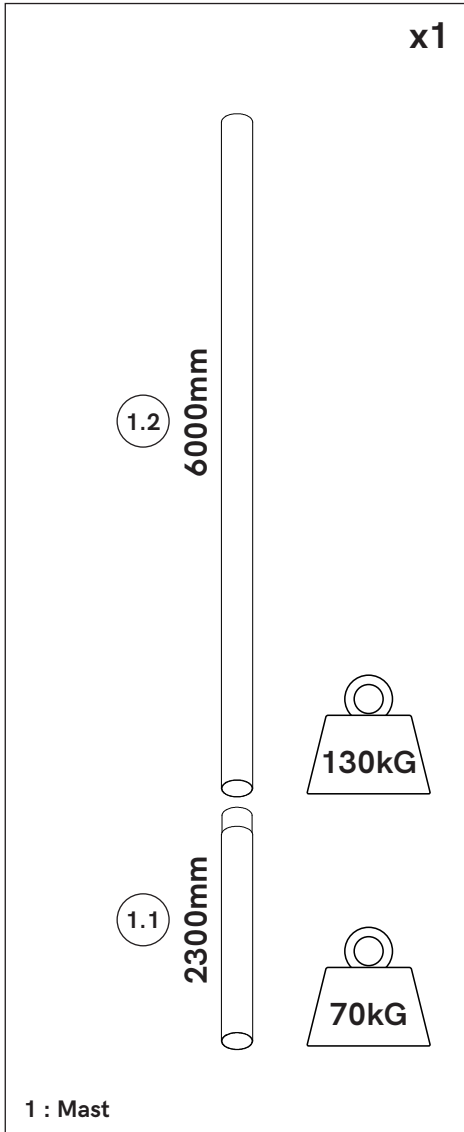
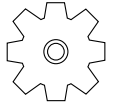
TAY-ACT8000-v2.11

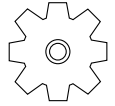
EN1176-1:2017 | EN1176-11:2014



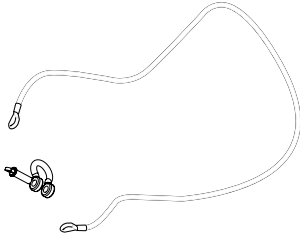
2-3	
4-6	
7	
8-12	
13-22	





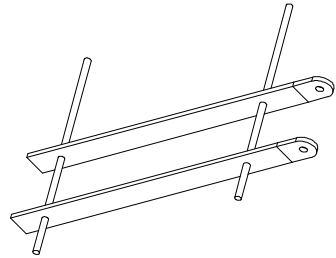


x4



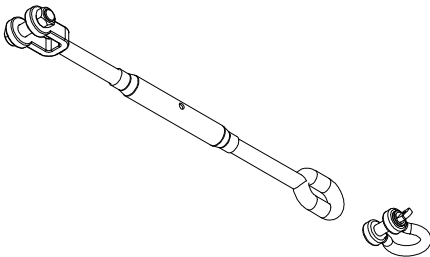
3.1 : Anchor Wire & Shackle

x4



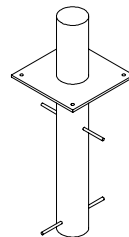
3.2 : Double Corner Anchor

x4



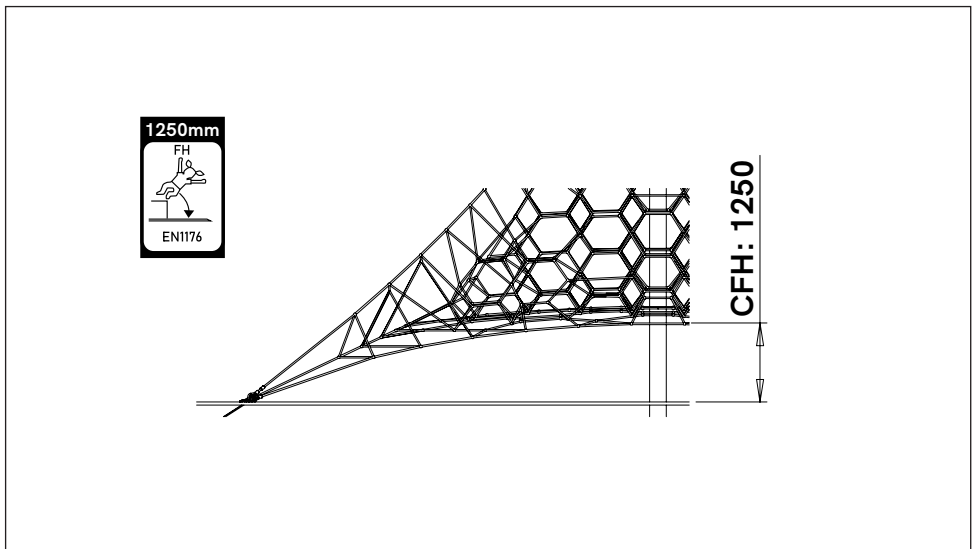
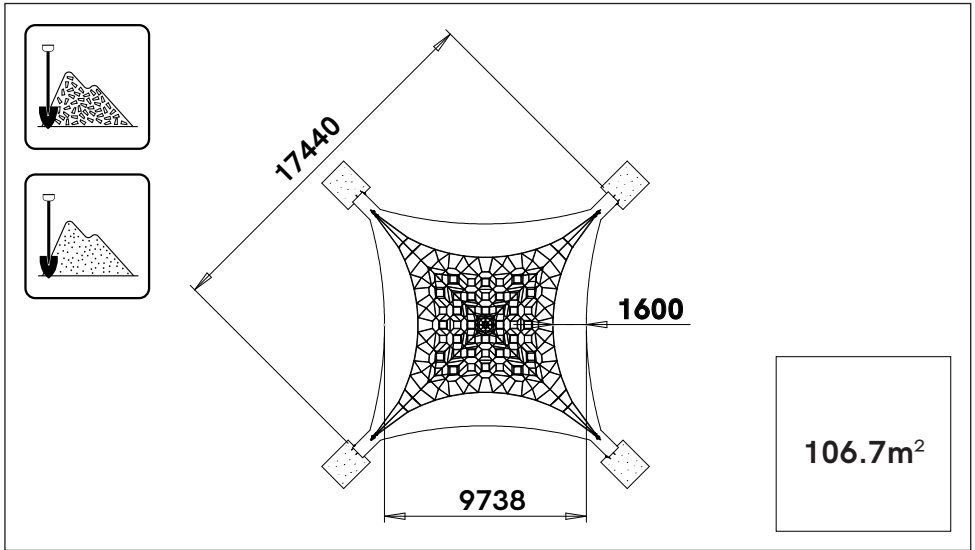
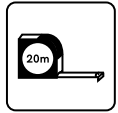
3.3 : 39mm Rigger & 9.5t Shackle

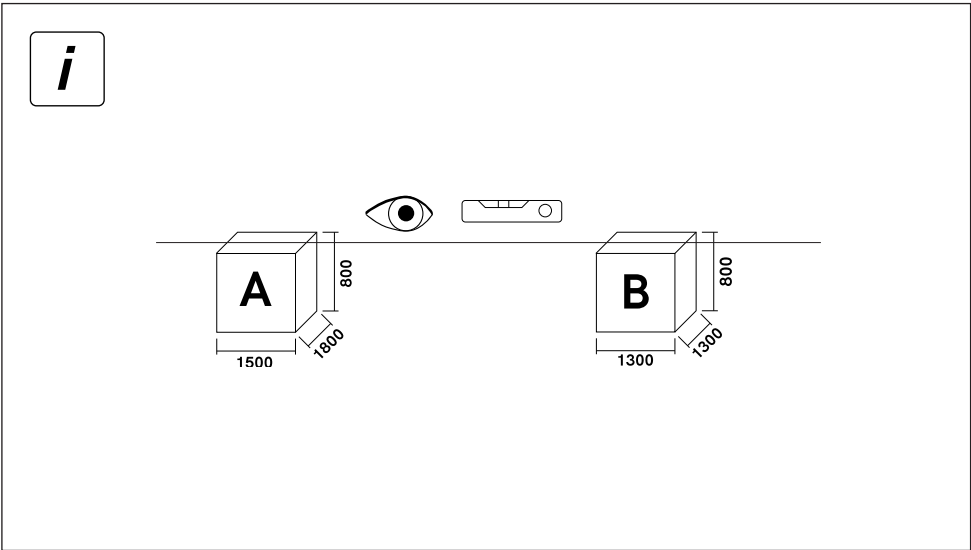
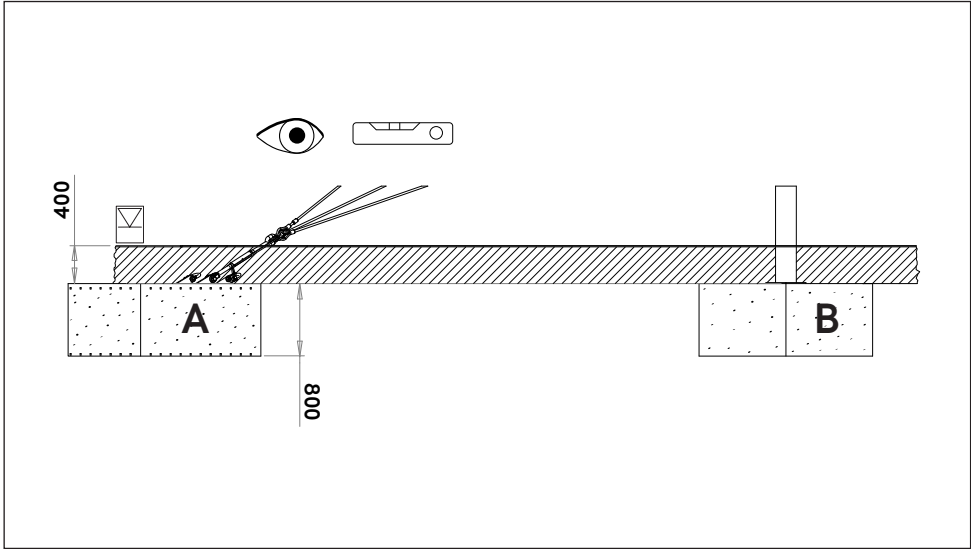
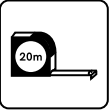
x1

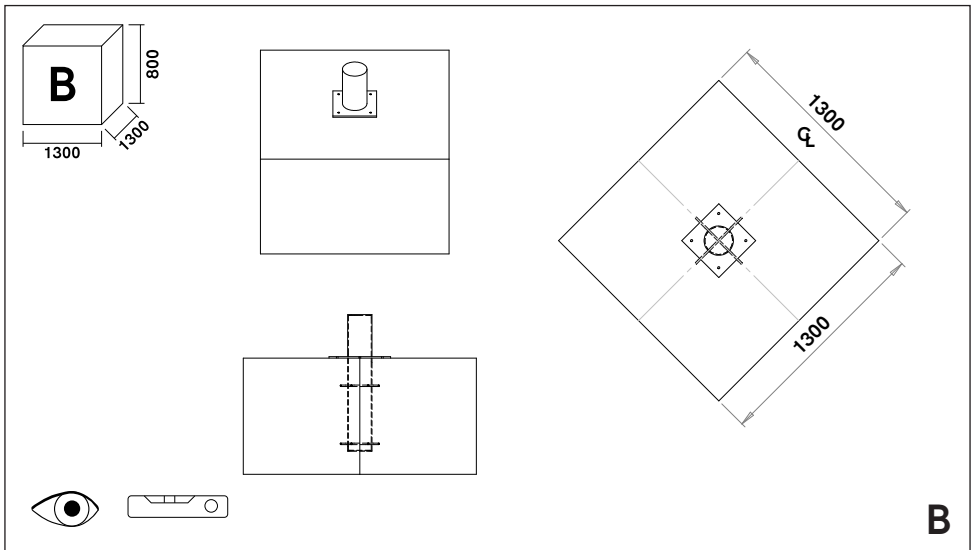
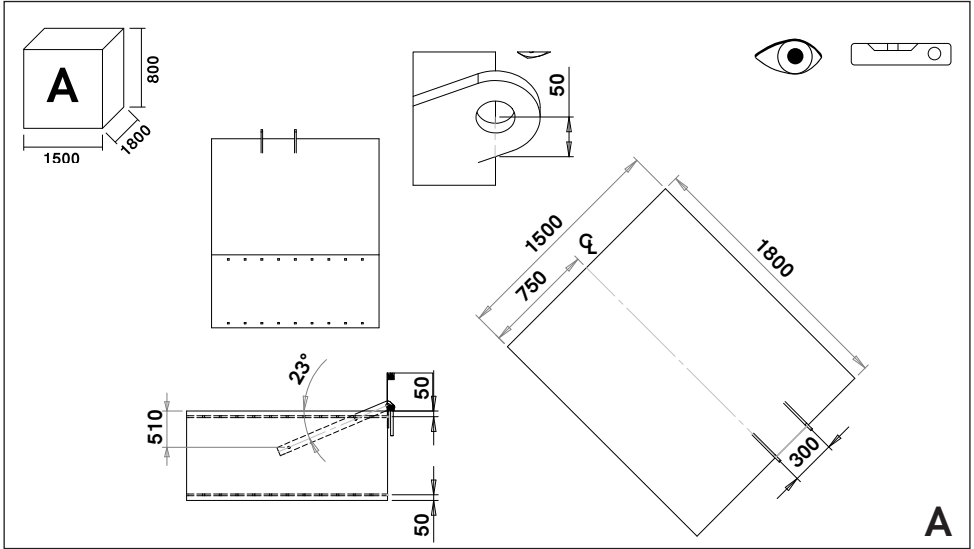


3.4 : Central Spigot

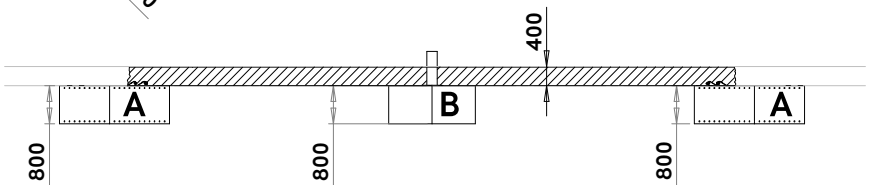
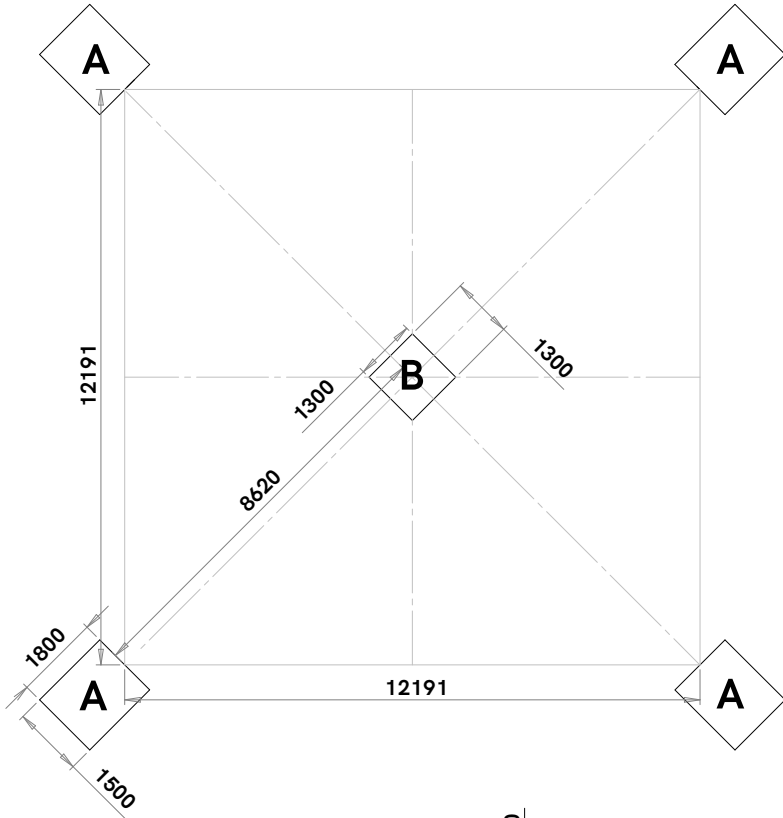
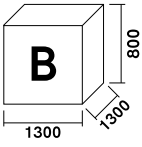
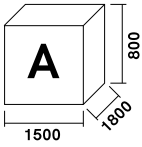
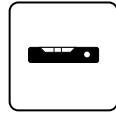
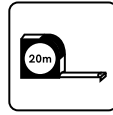




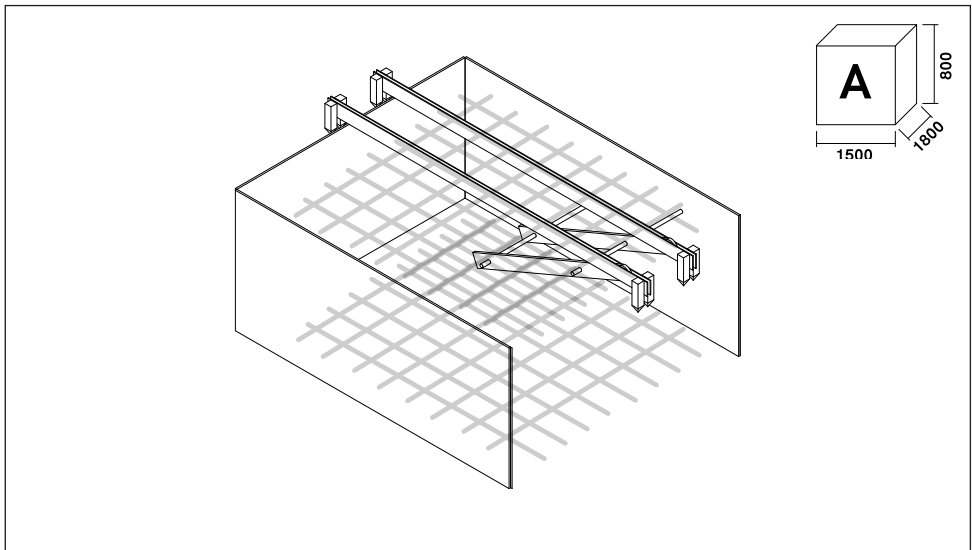
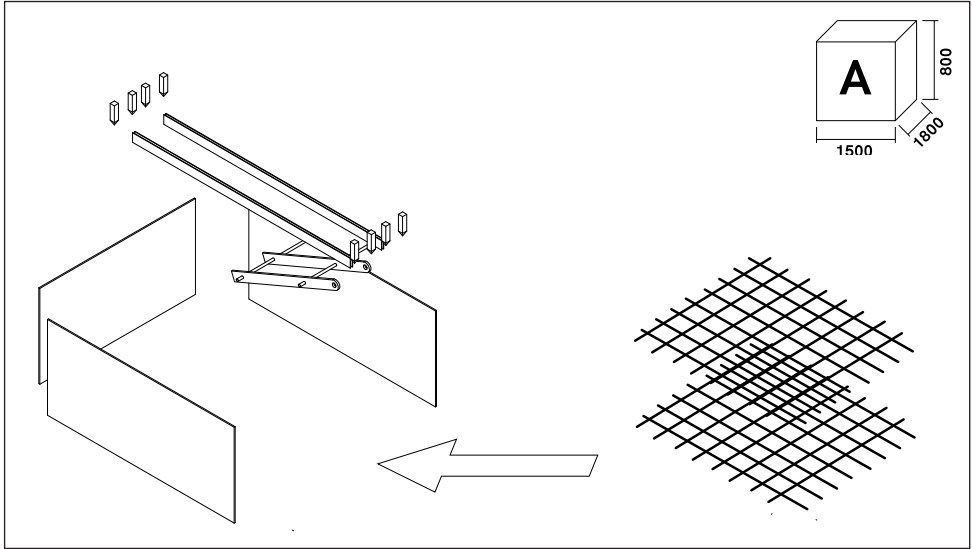
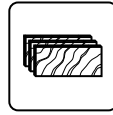
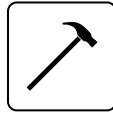
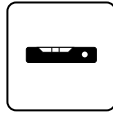




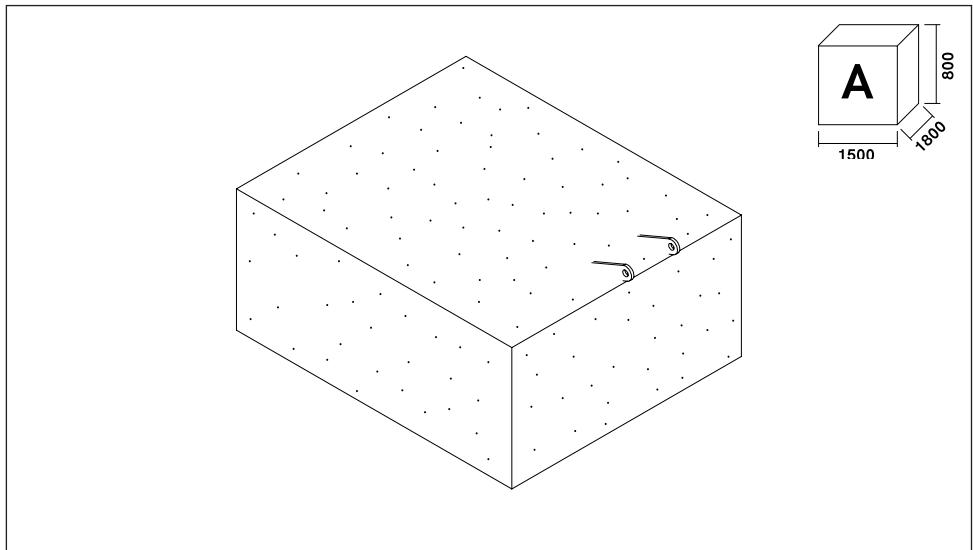
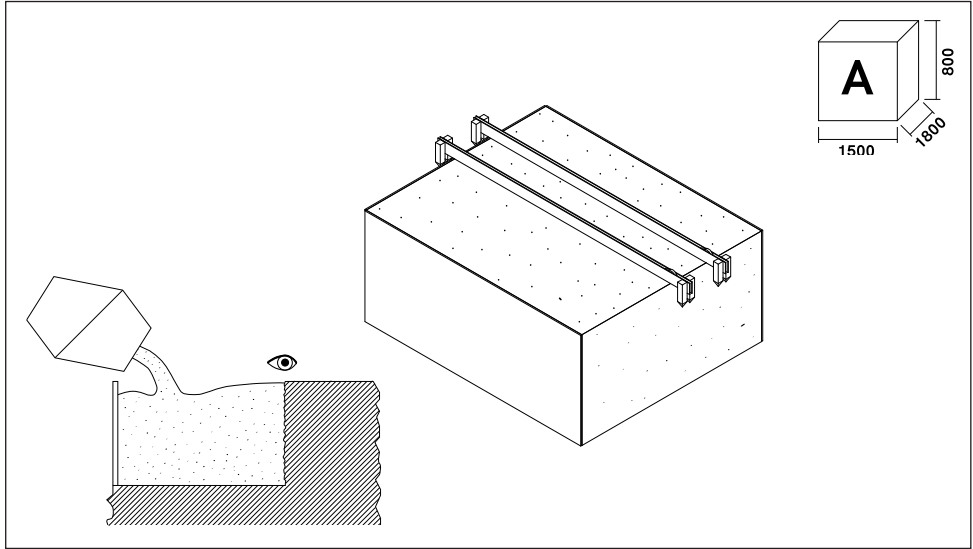
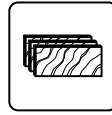
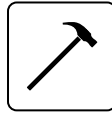
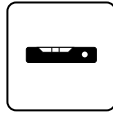
1



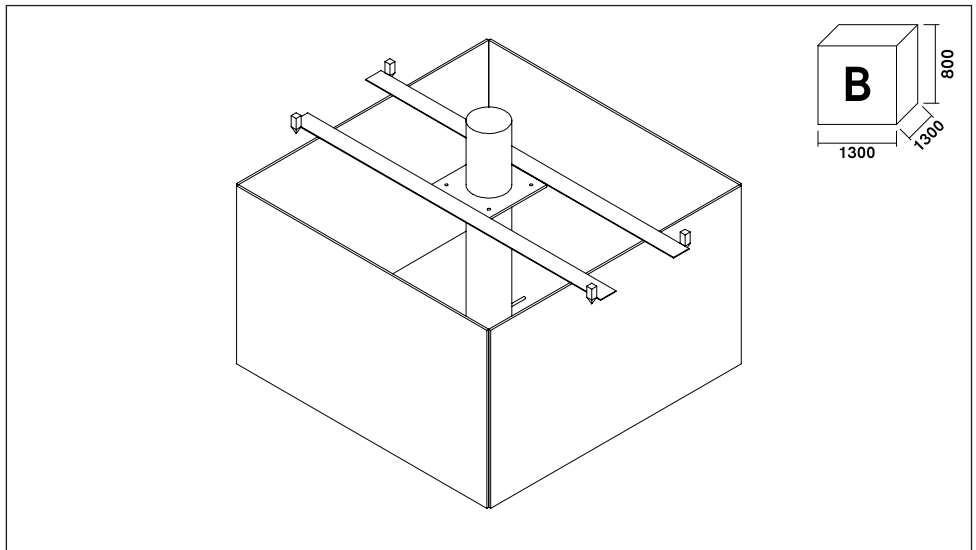
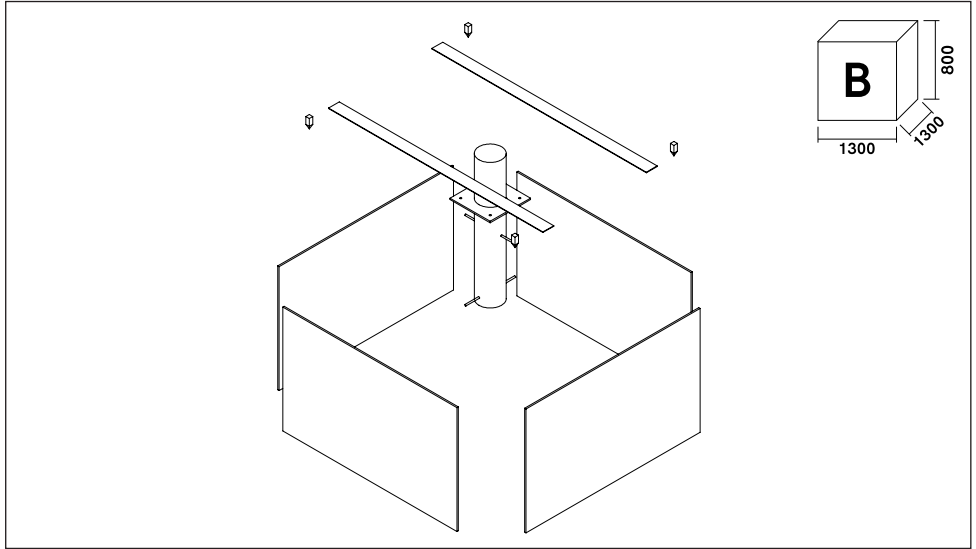
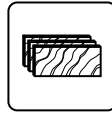
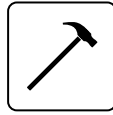
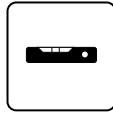
2



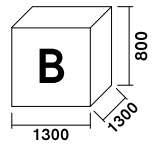
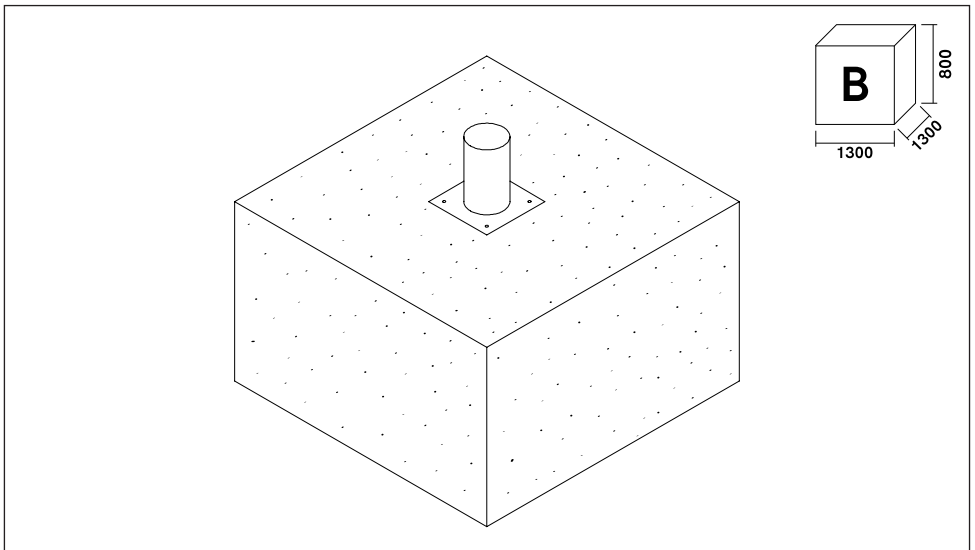
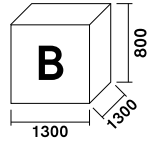
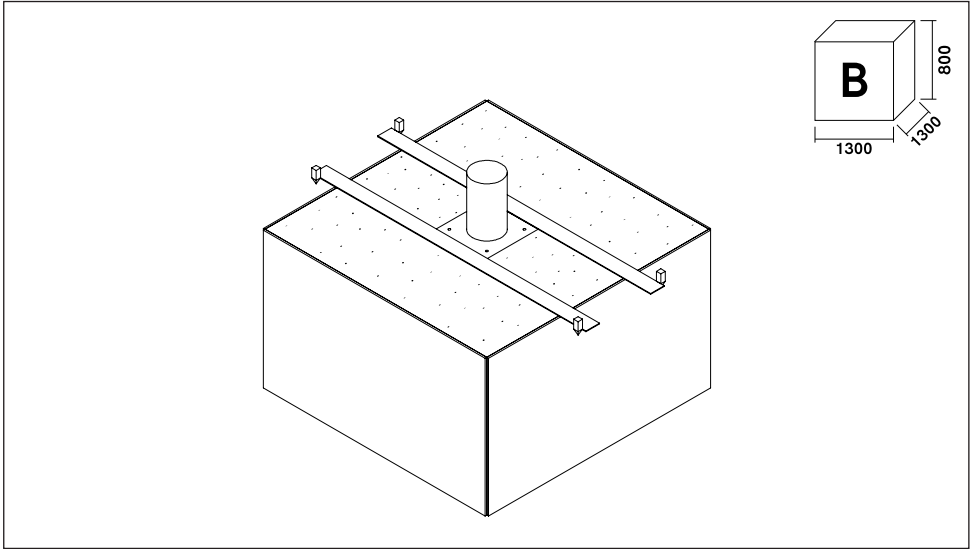
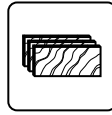
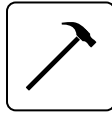
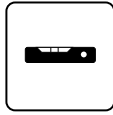
2



2

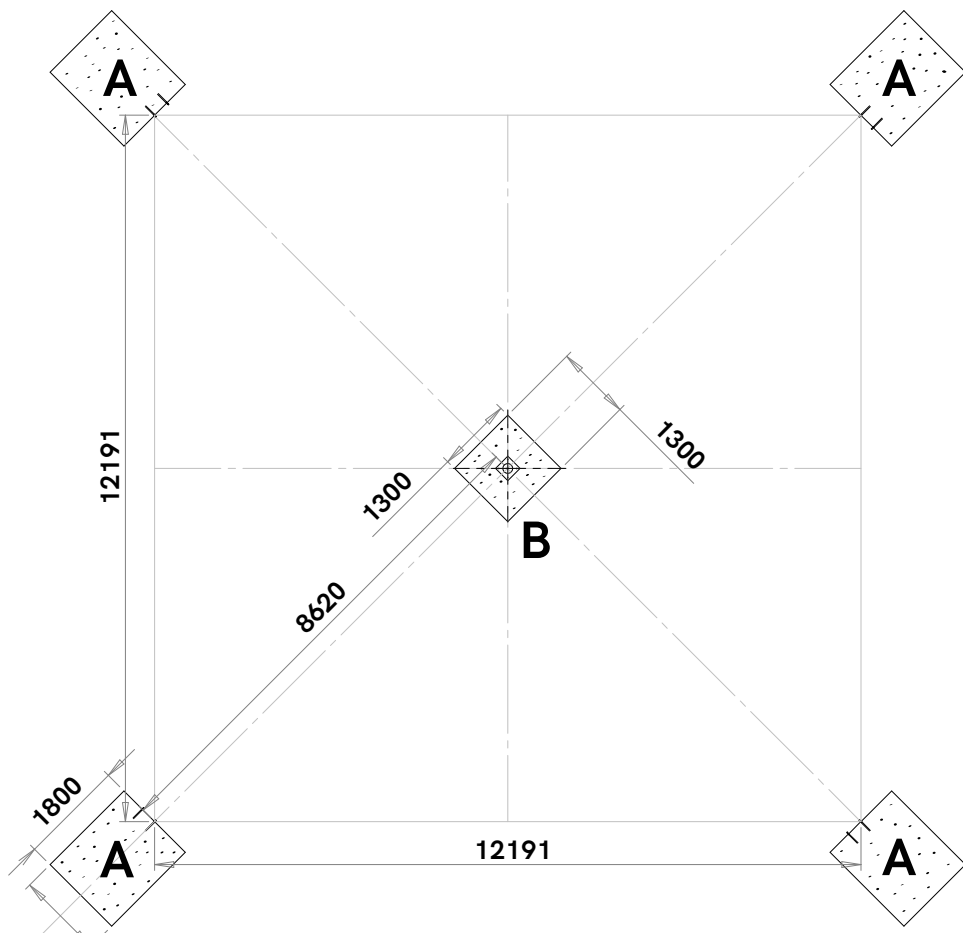
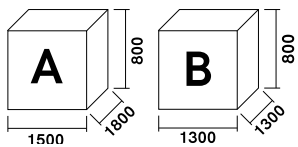


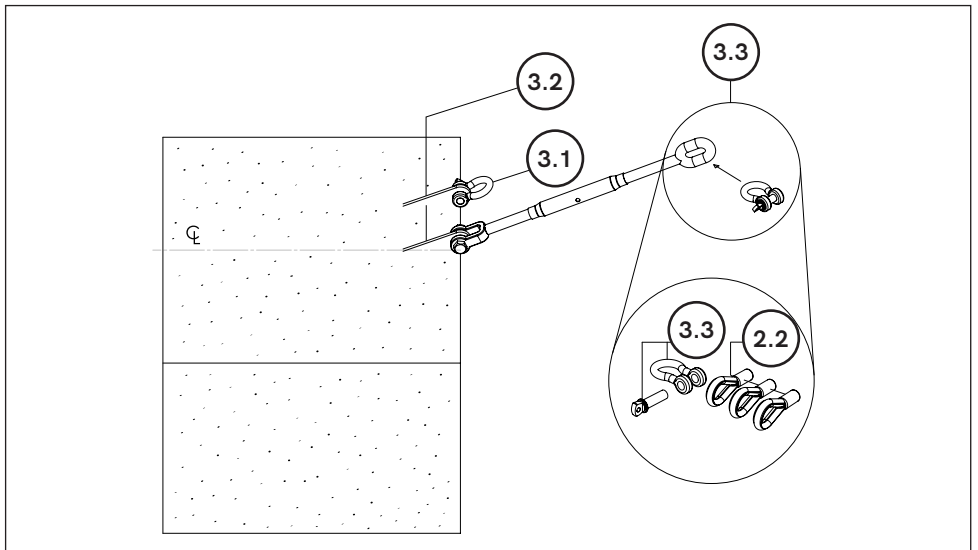
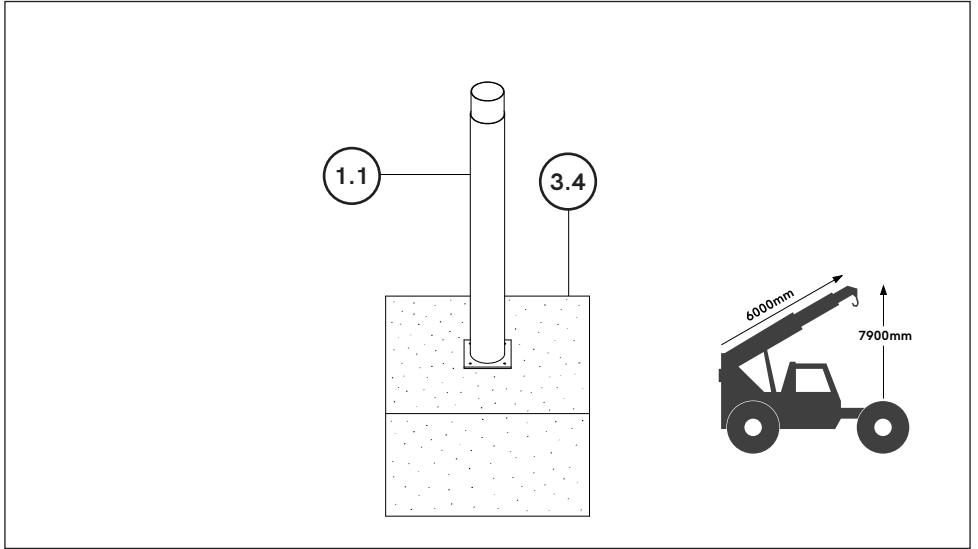
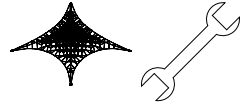
2



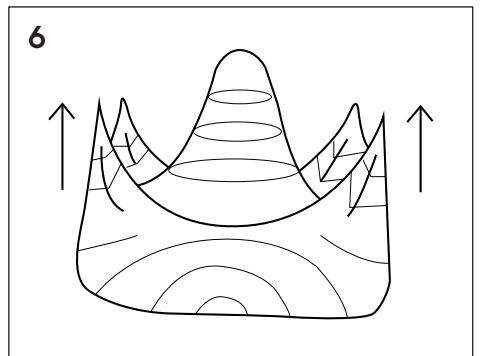
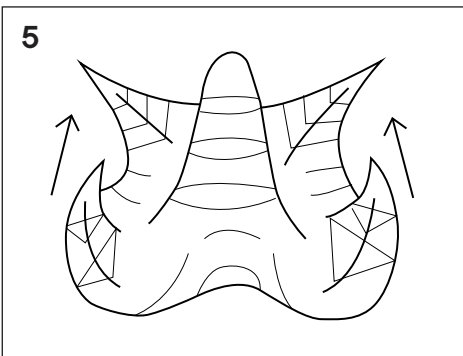
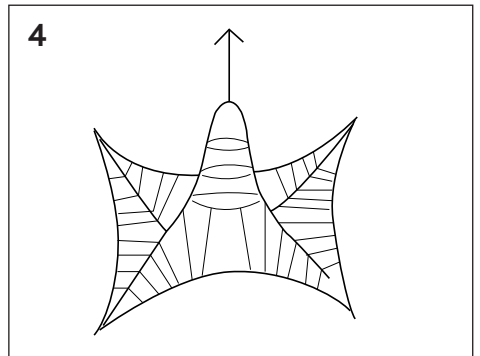
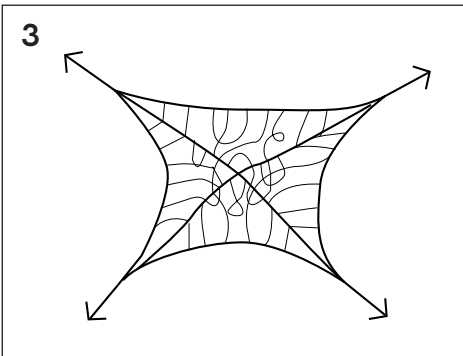
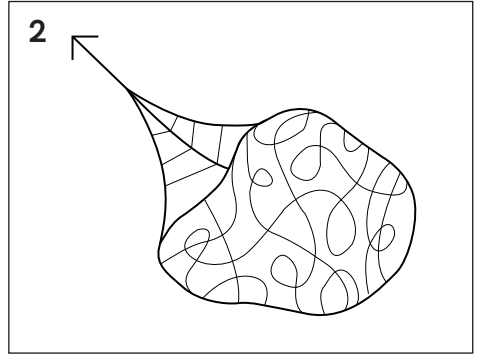
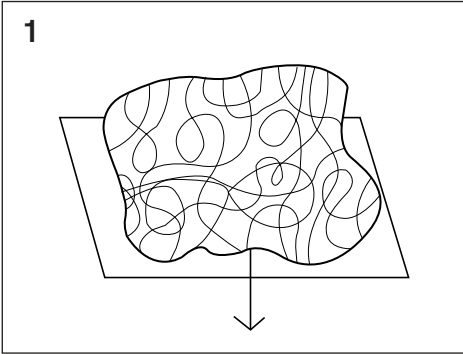
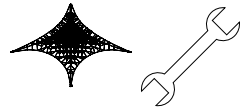


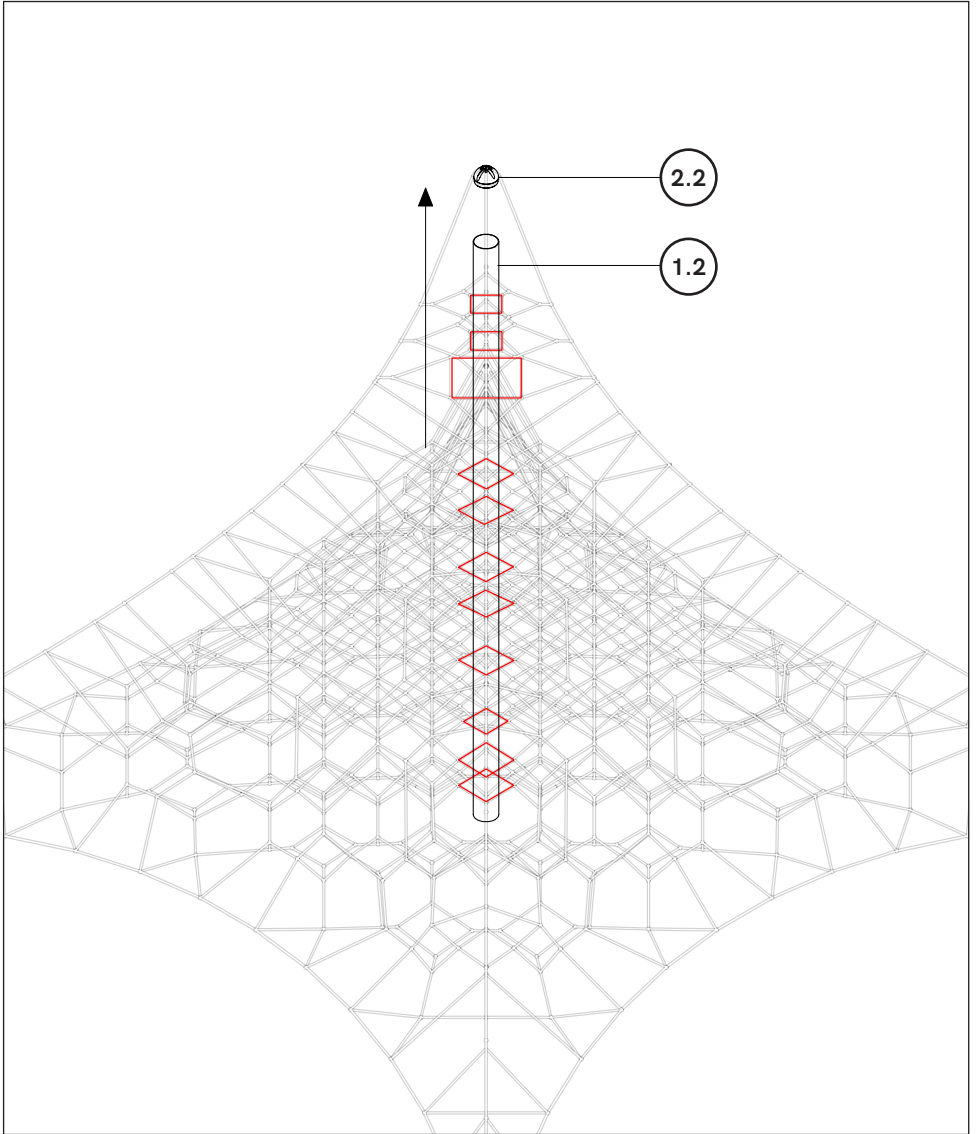
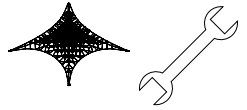
7 x 24h

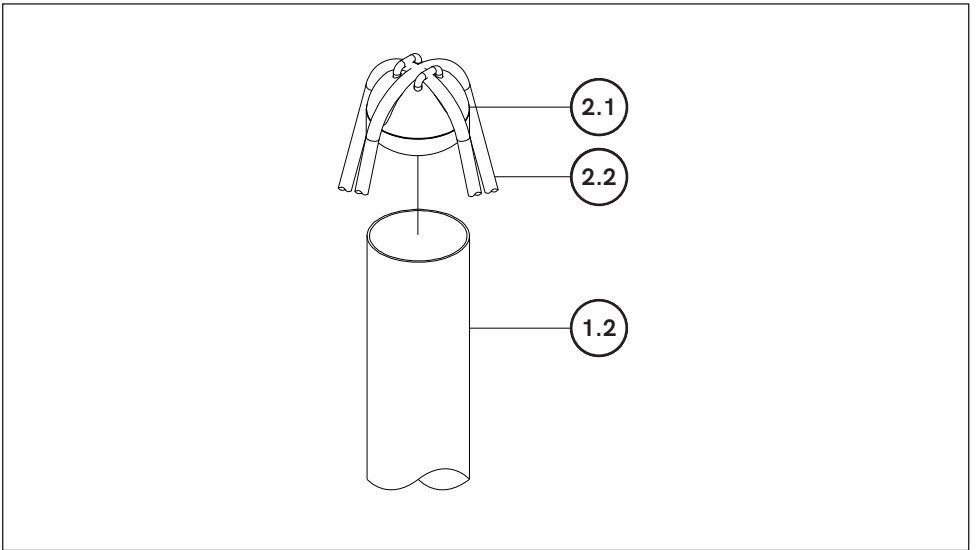
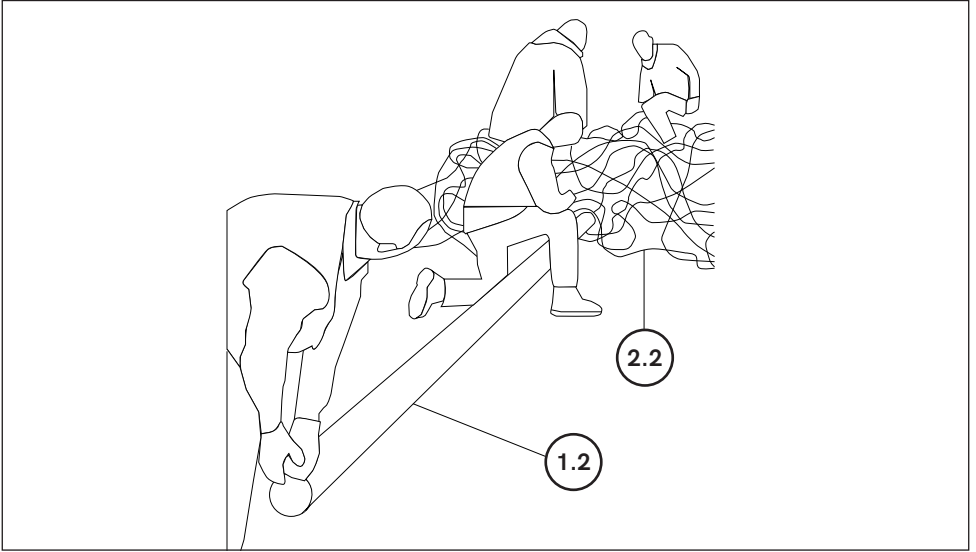
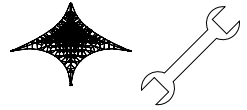


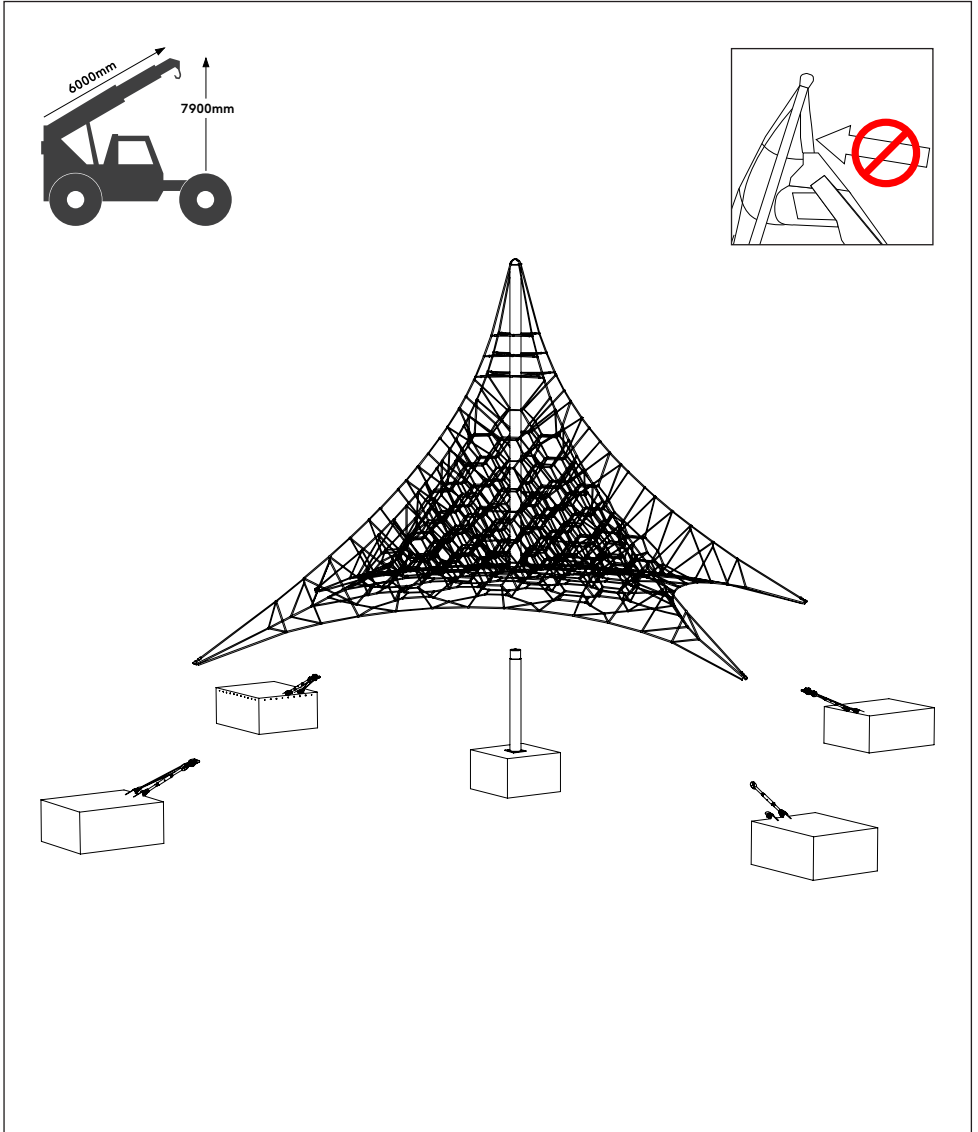
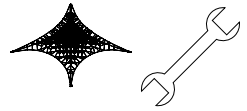


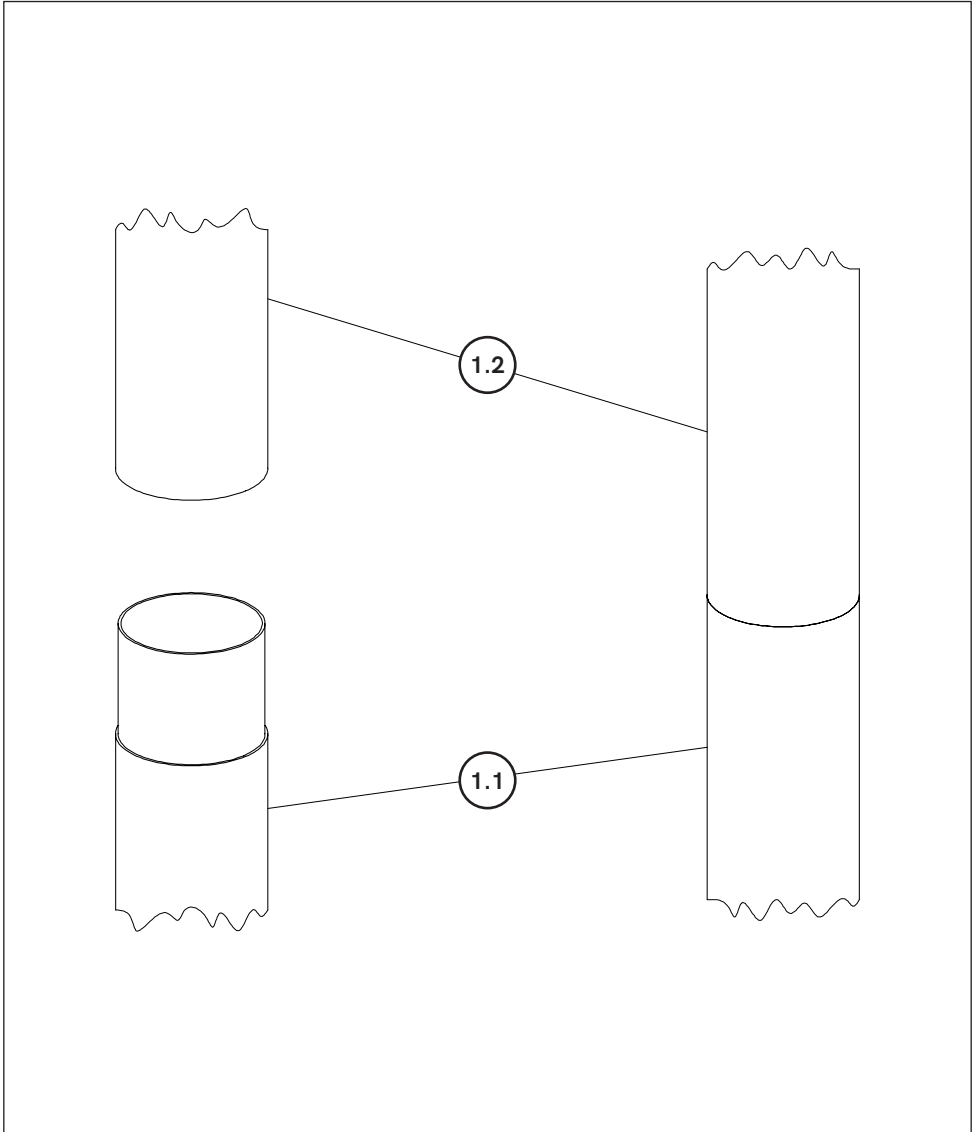
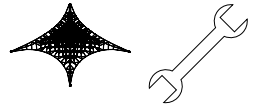
3

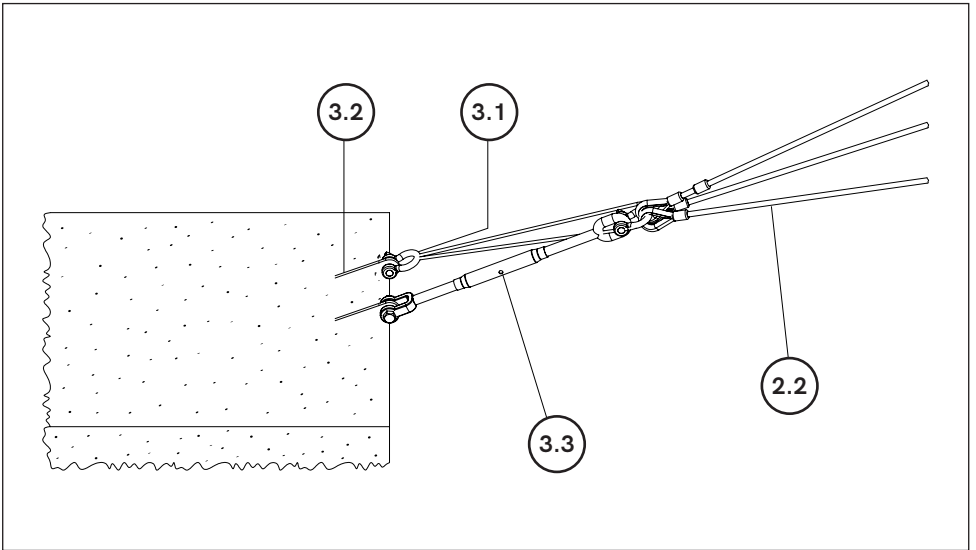
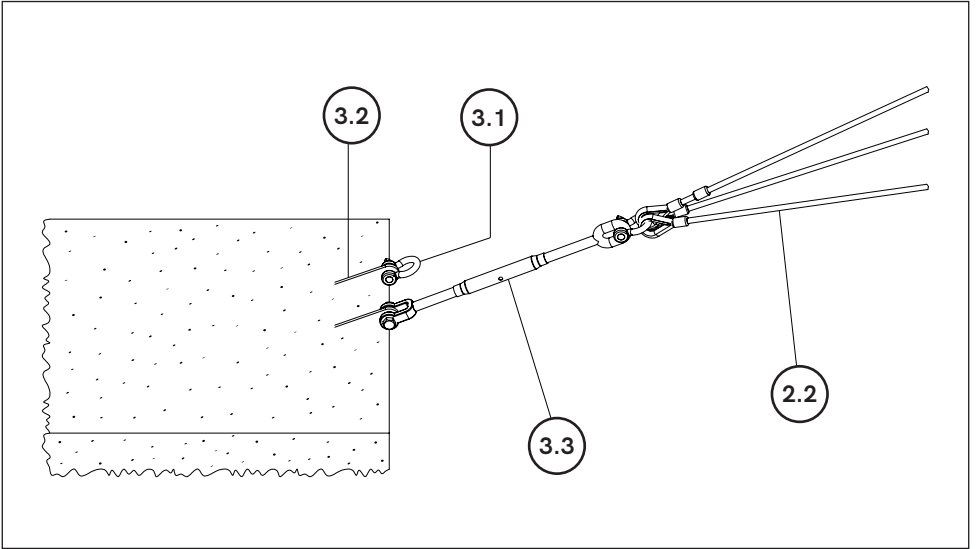
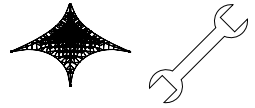




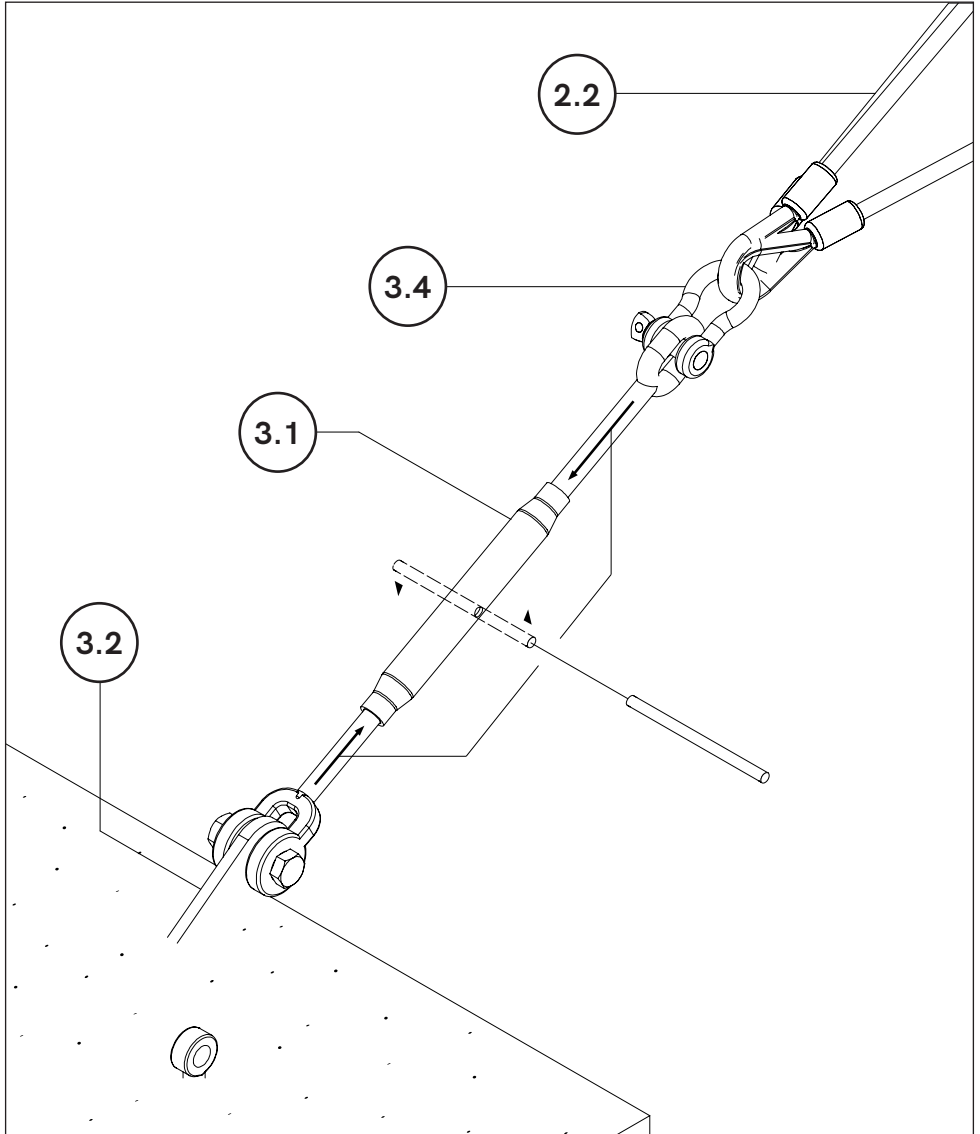
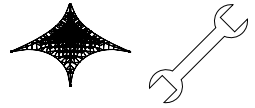


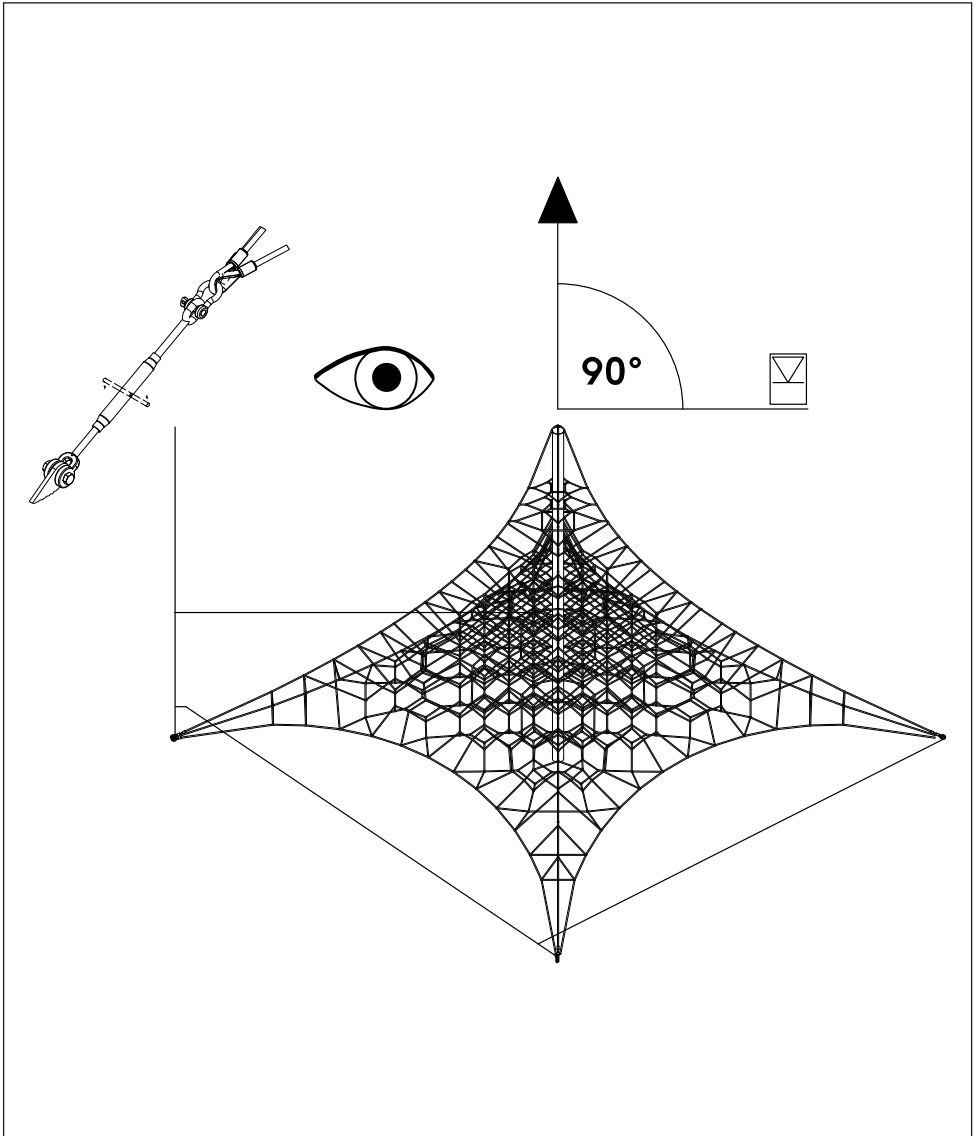


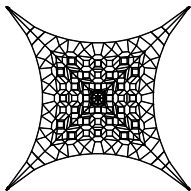
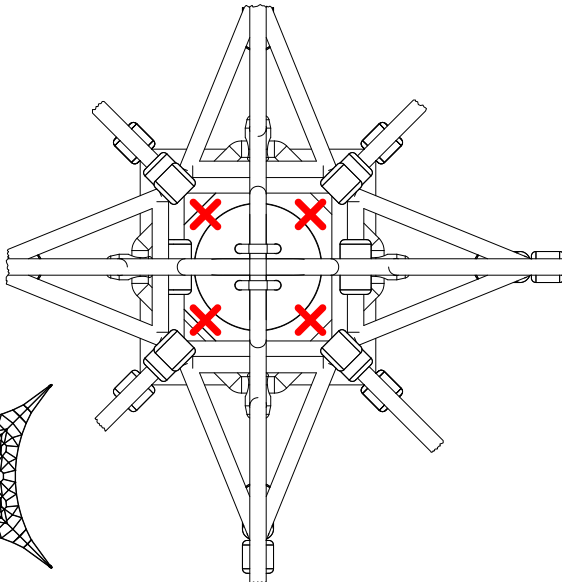
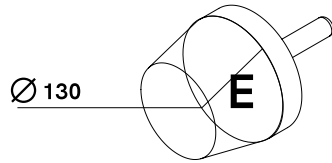
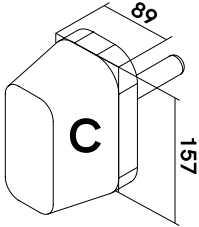


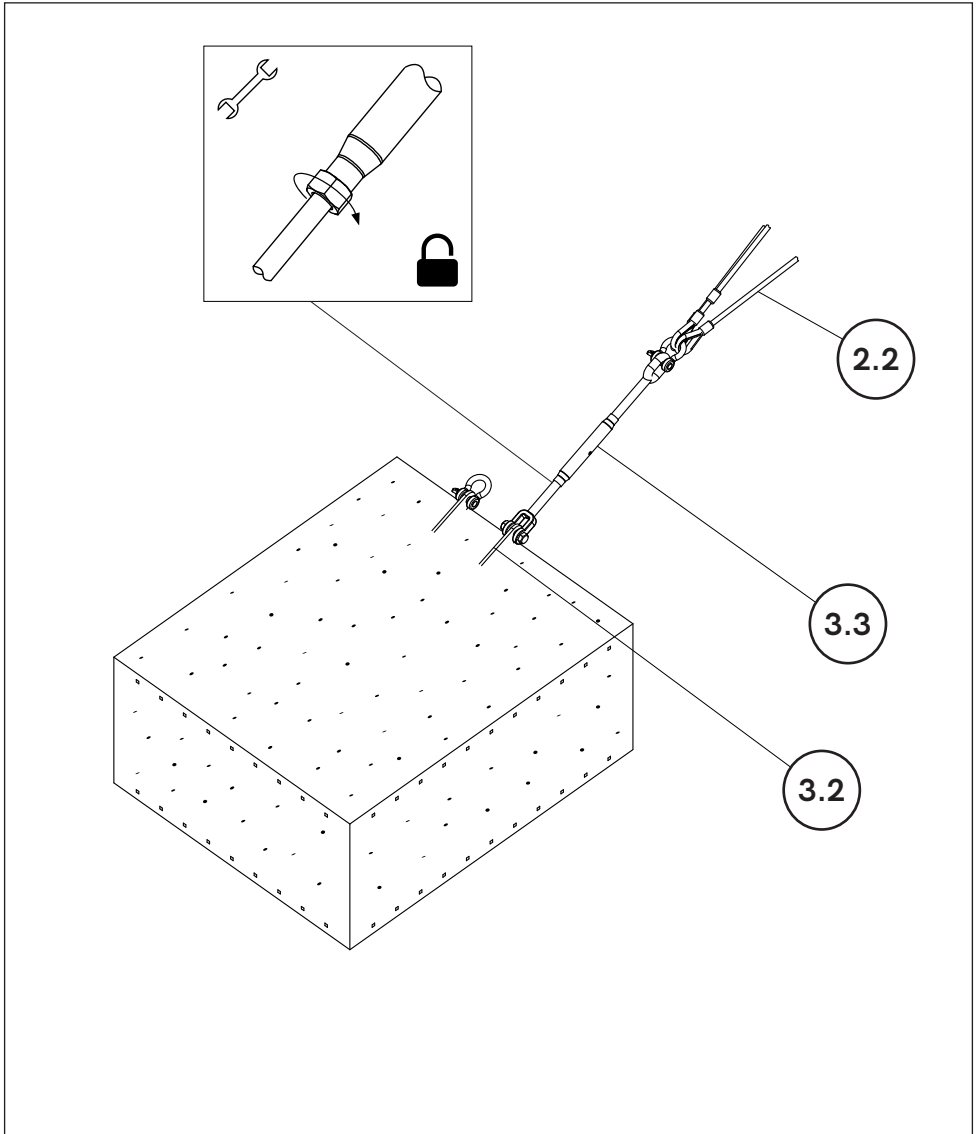
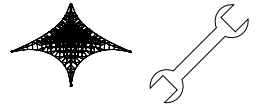


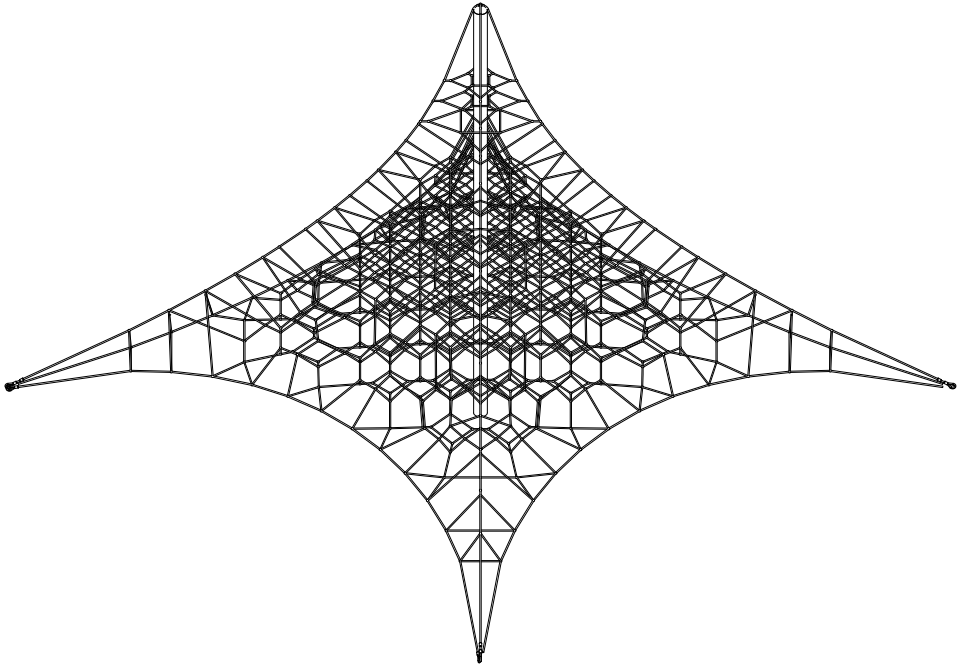
3













Tayplay Ltd

13A Riverview Business Park
Friarton Road
Perth
PH2 8DF
Scotland

Tel: +44 (0) 1738 449 084
Fax: +44 (0) 1738 449 094
Email: info@tayplay.com
Web: www.tayplay.com

