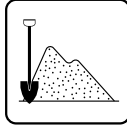




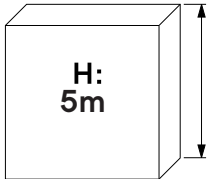
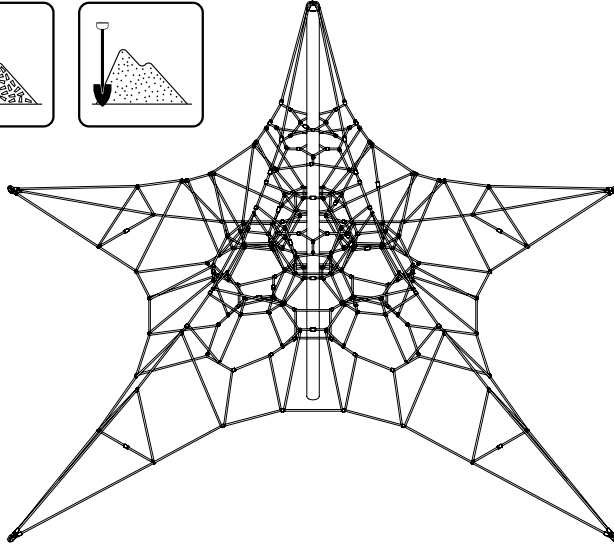
# ACTIVE 5000

TAY-ACT5000-LF-v2.11

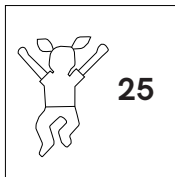
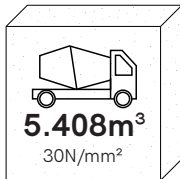
EN1176-1:2017 | EN1176-11:2014

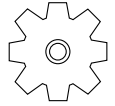


3+




2-3	
4-6	
7	
8-11	
13-21	






**x1**

5500mm

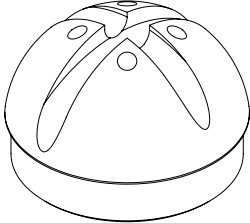


**1 : Mast**



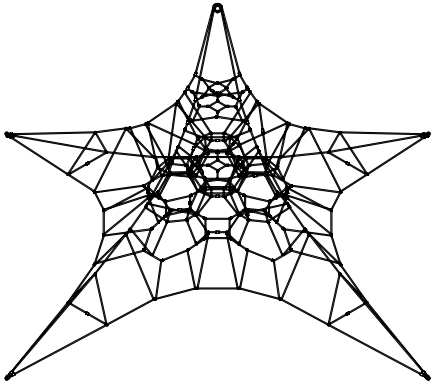
**55kG**

**x1**



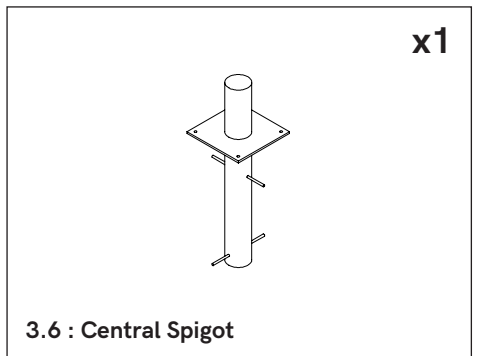
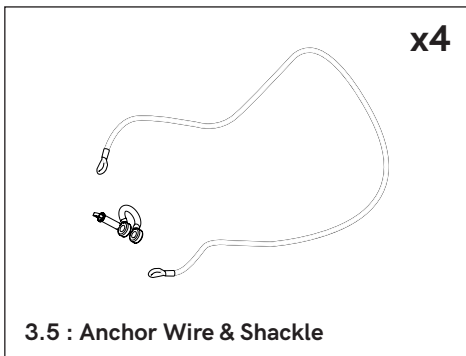
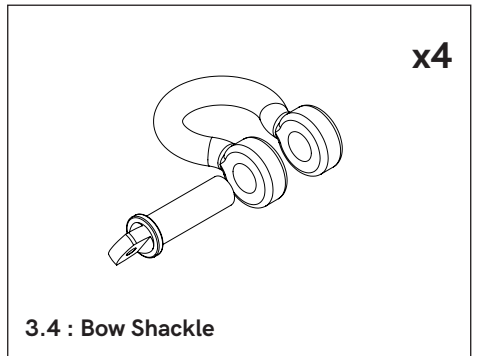
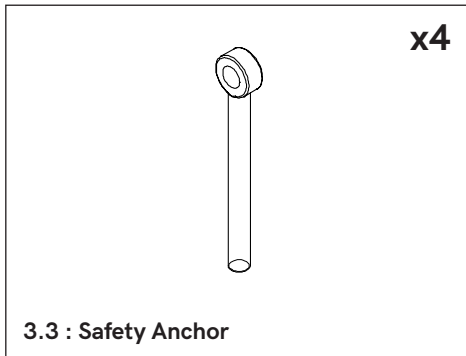
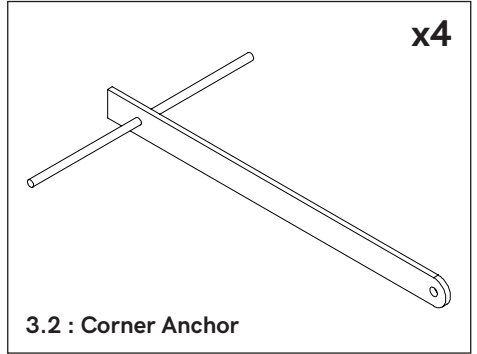
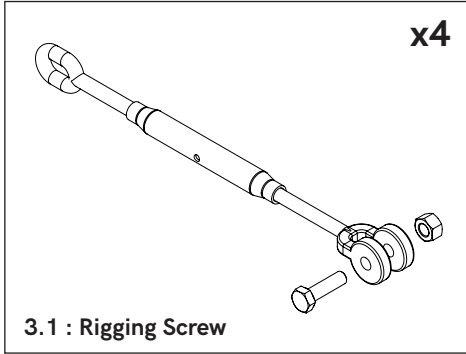
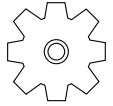
**2.1 : Dome**

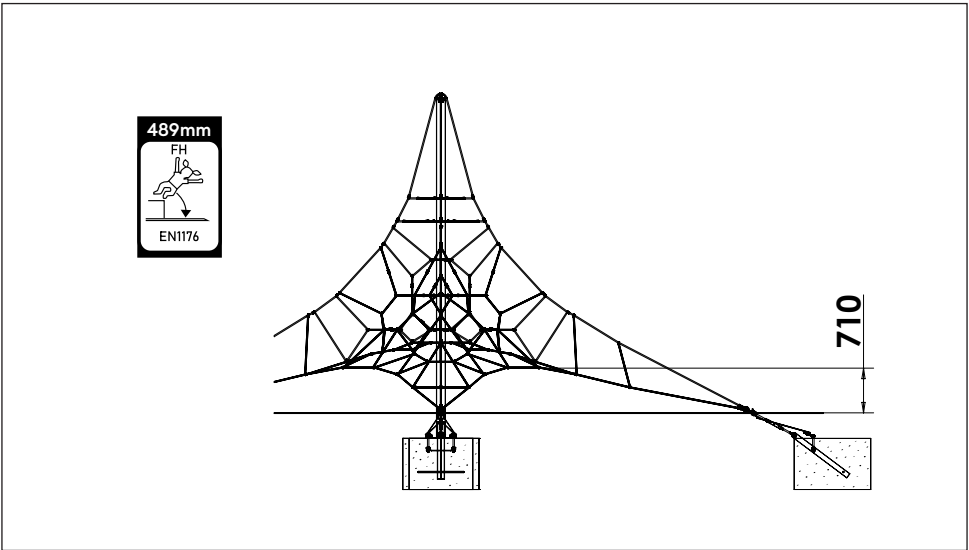
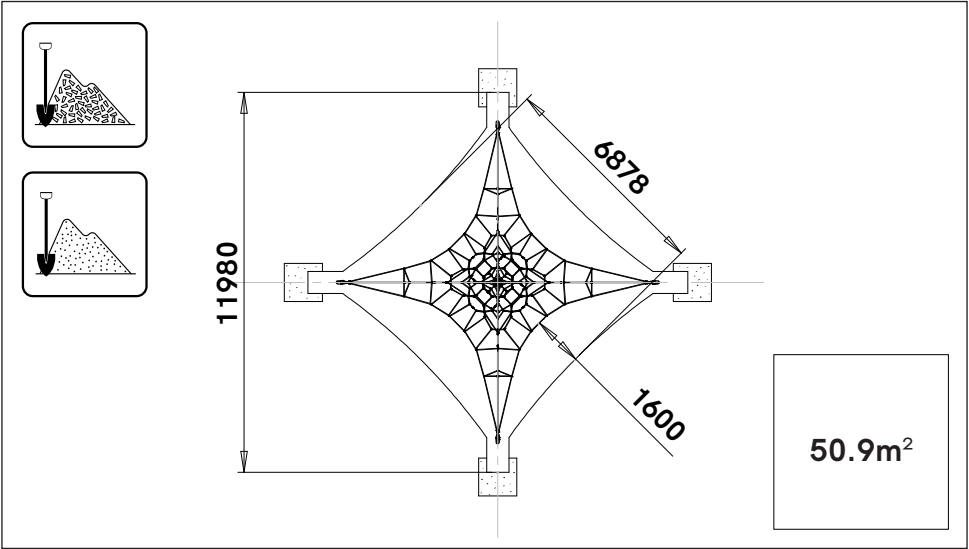
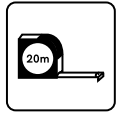
**x1**

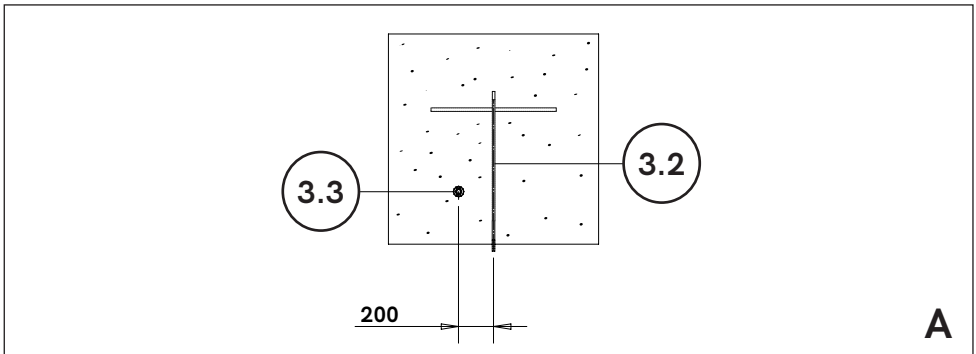
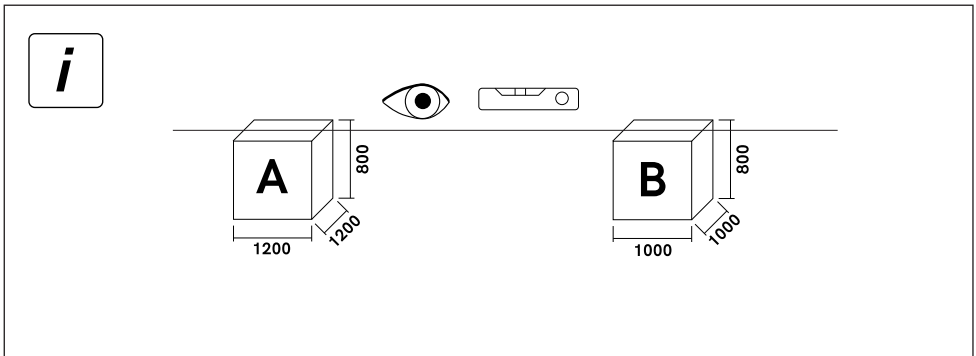
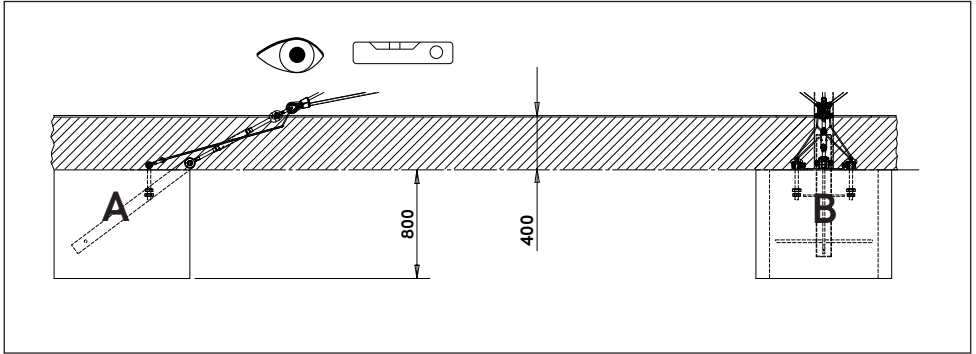
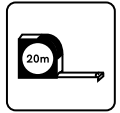


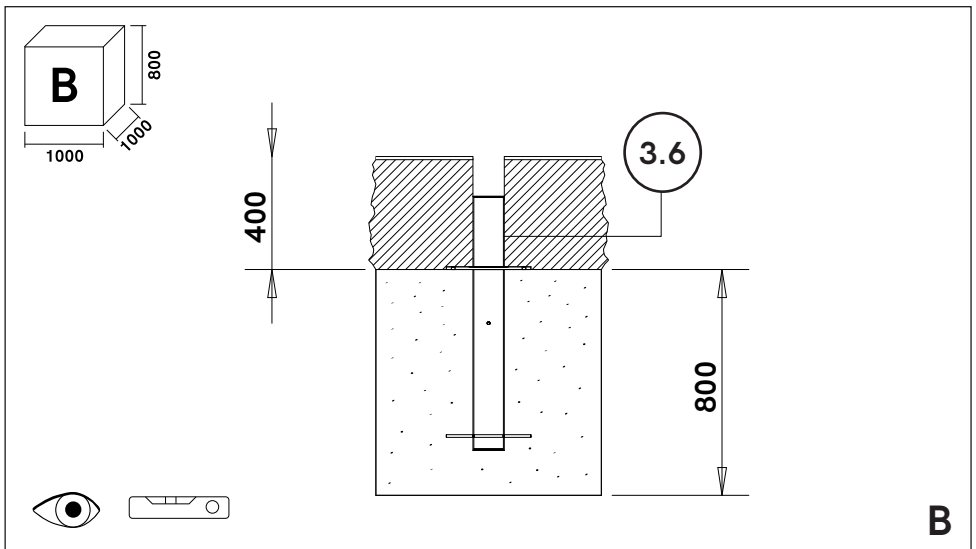
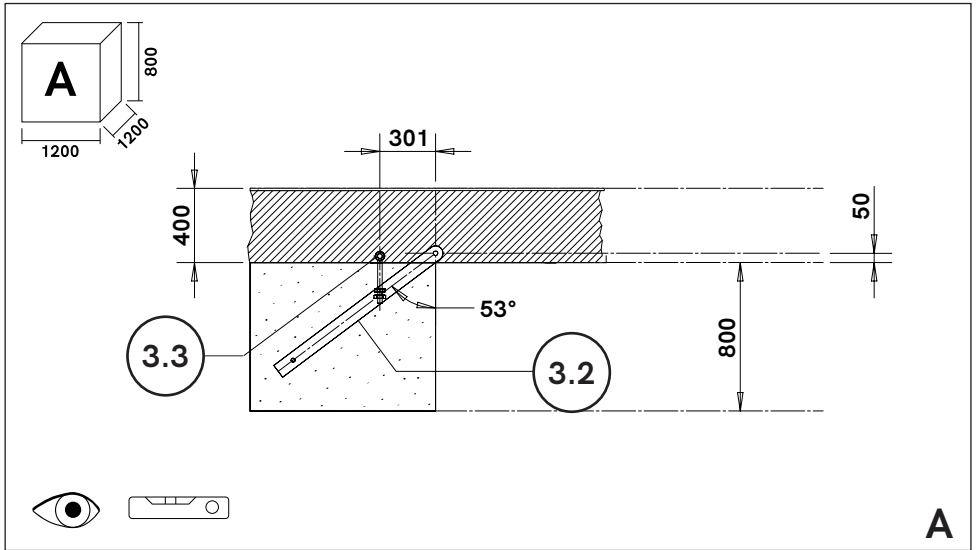
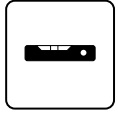
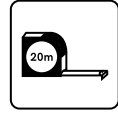
**2.2 : Net**



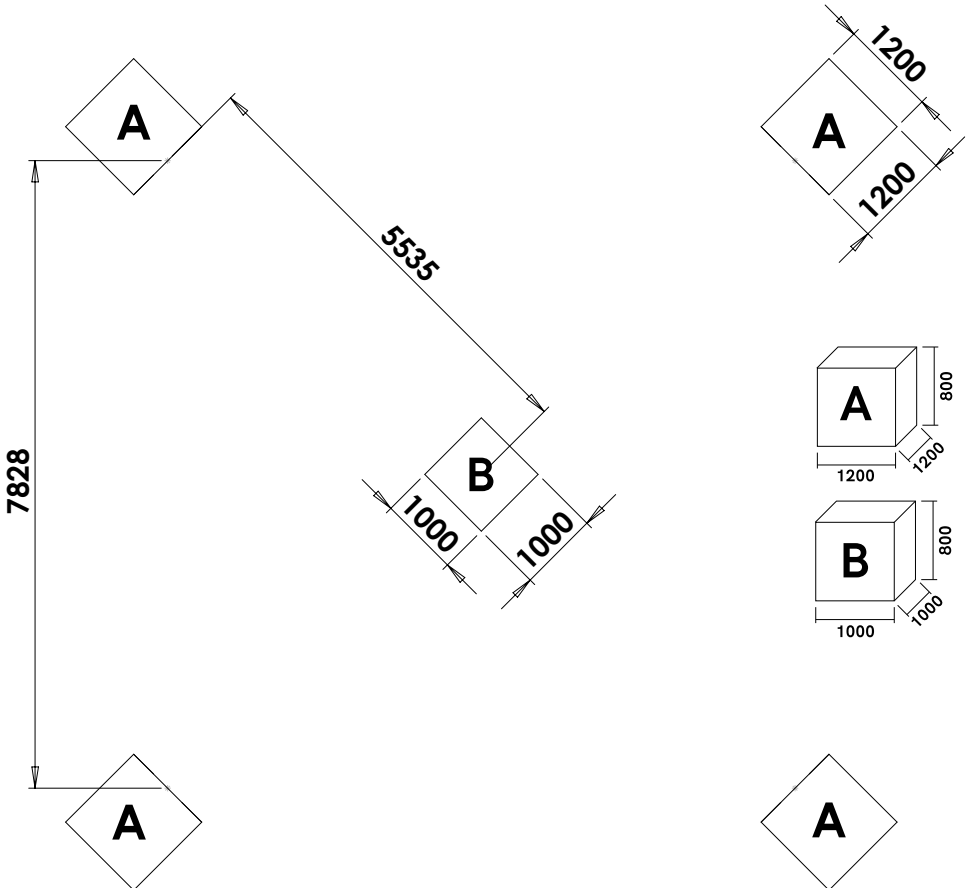
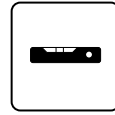
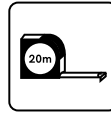




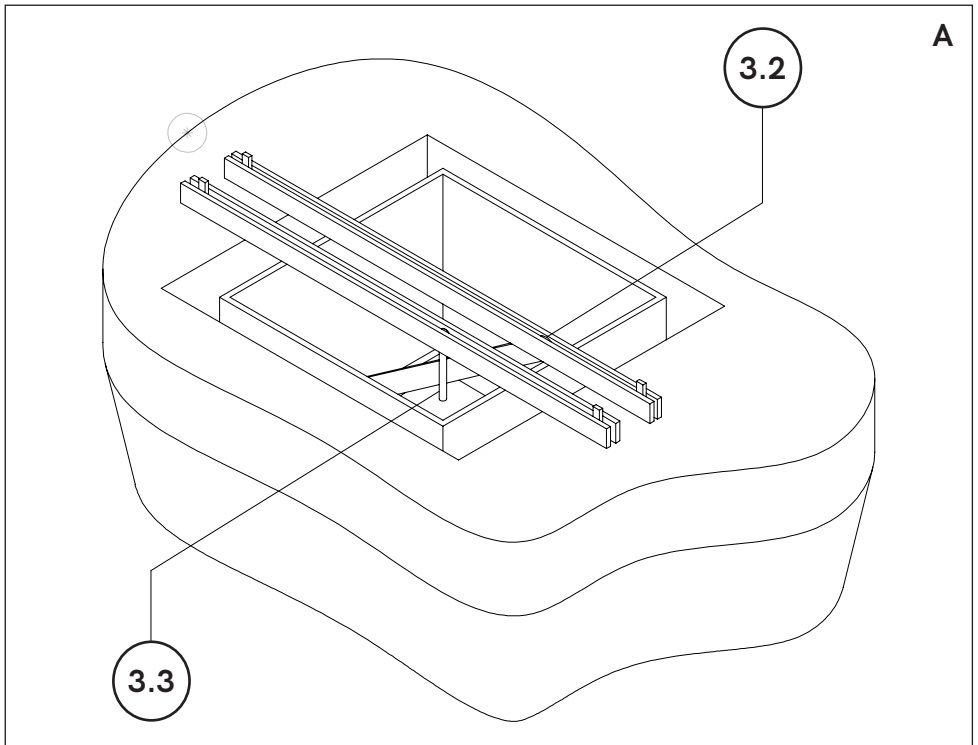
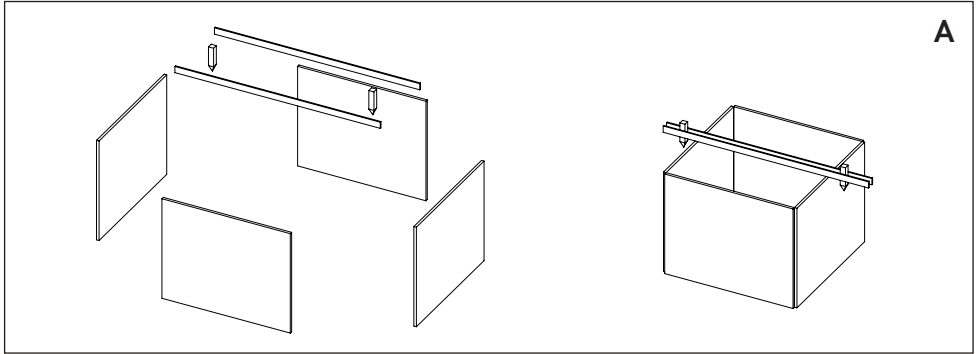
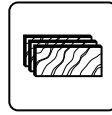
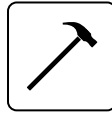
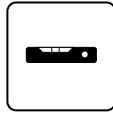




1

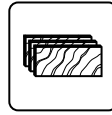
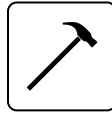
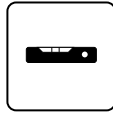


2

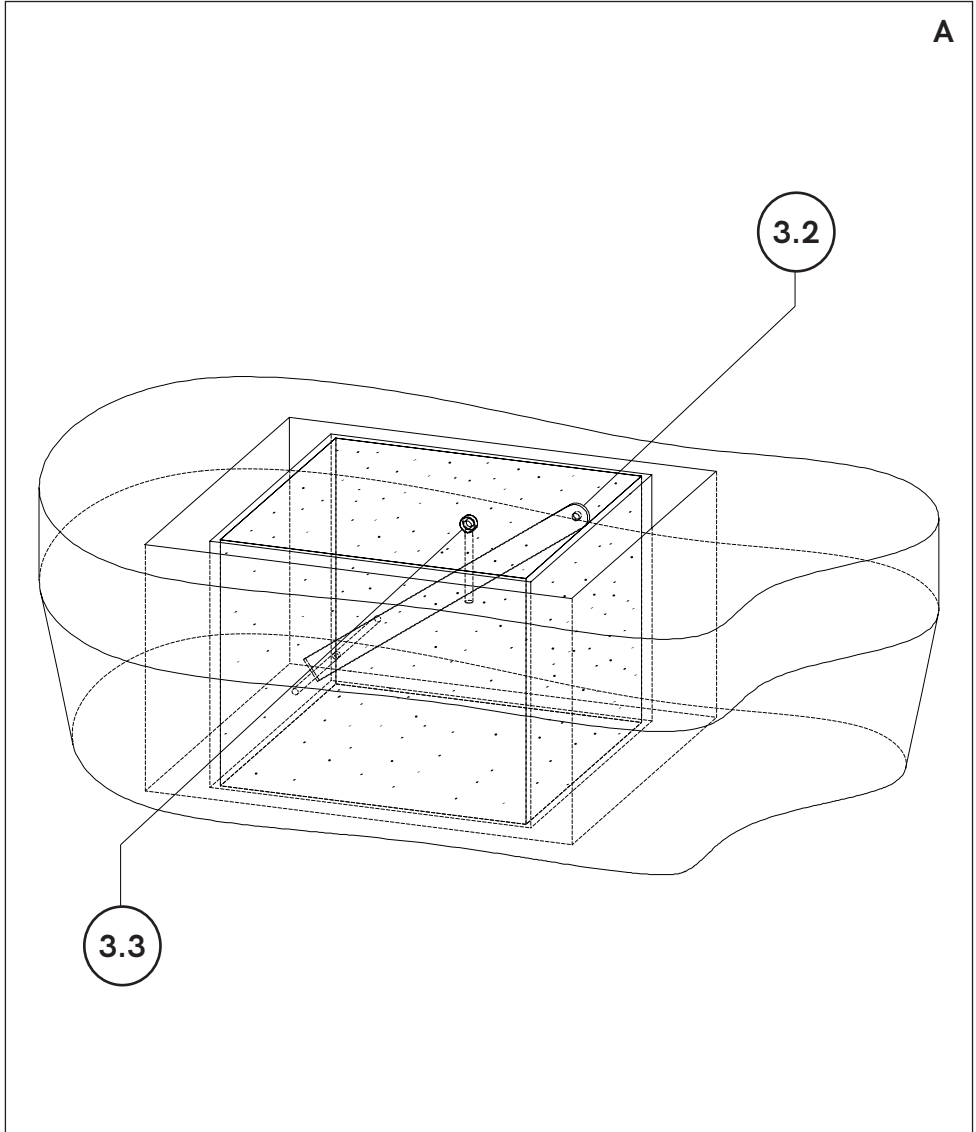




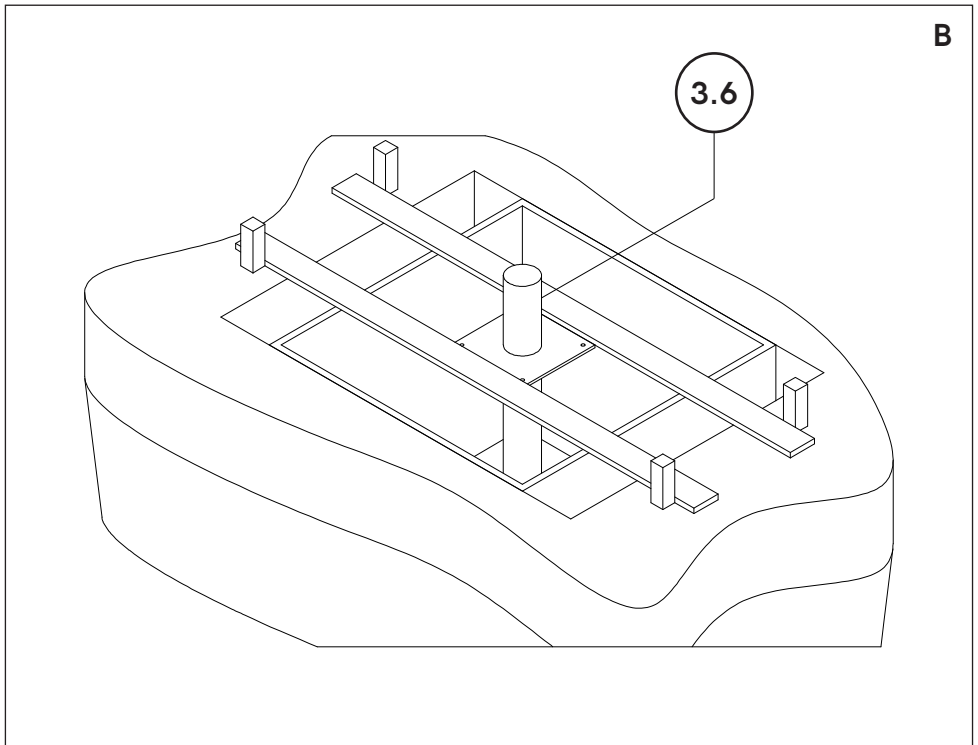
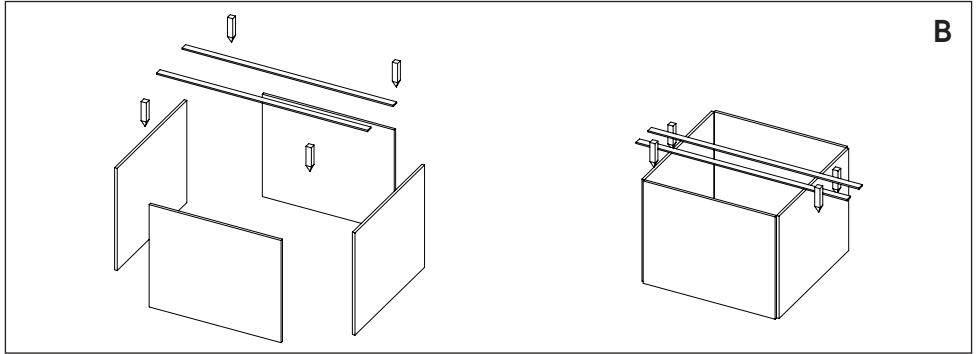
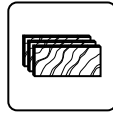
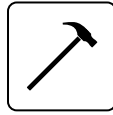
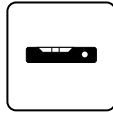
2



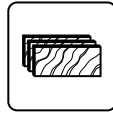
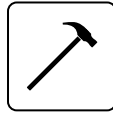
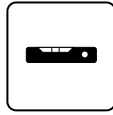
A



2

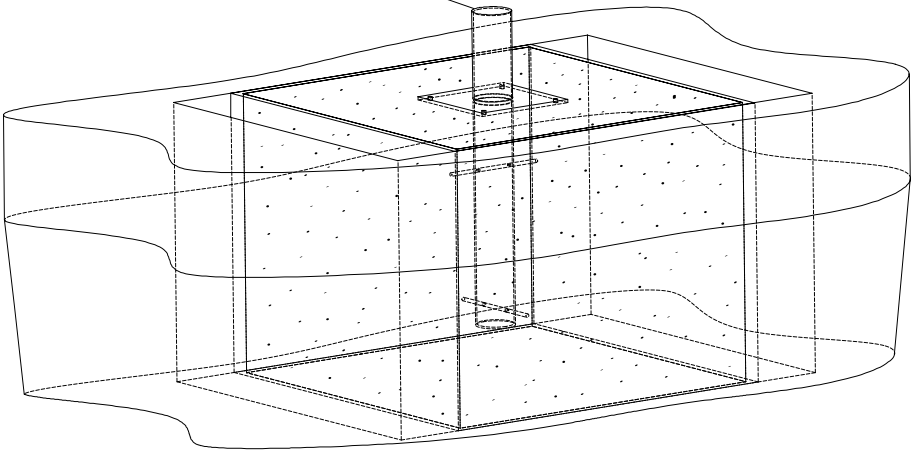


2



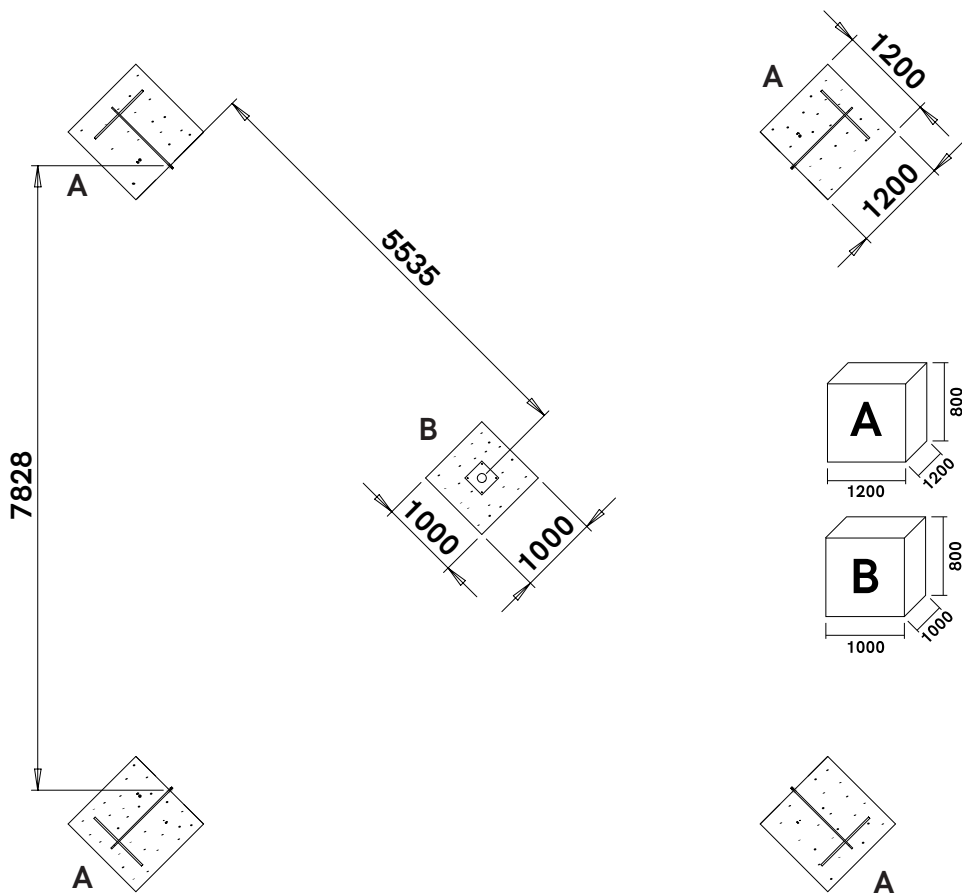
B

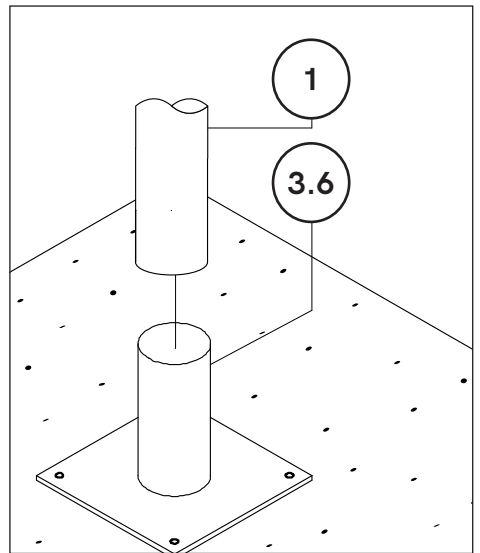
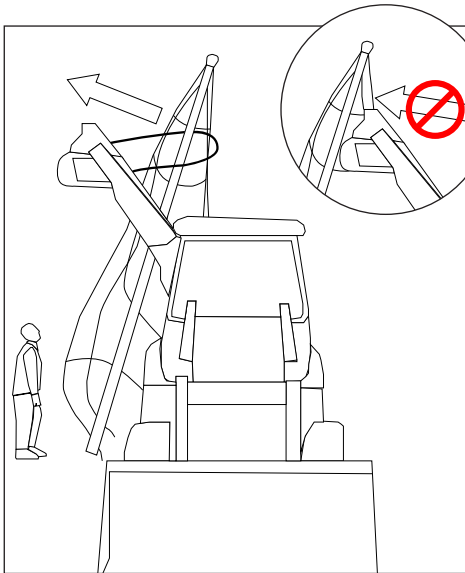
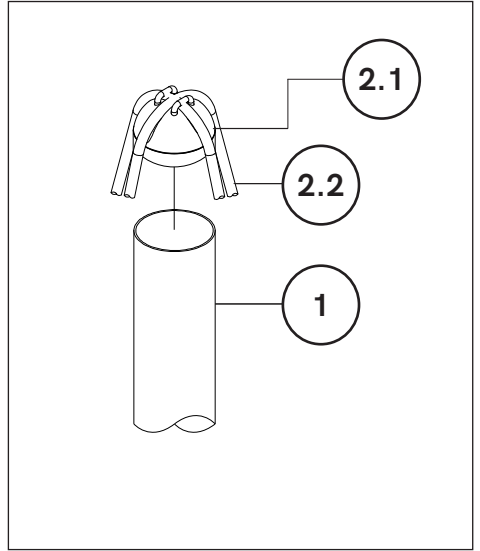
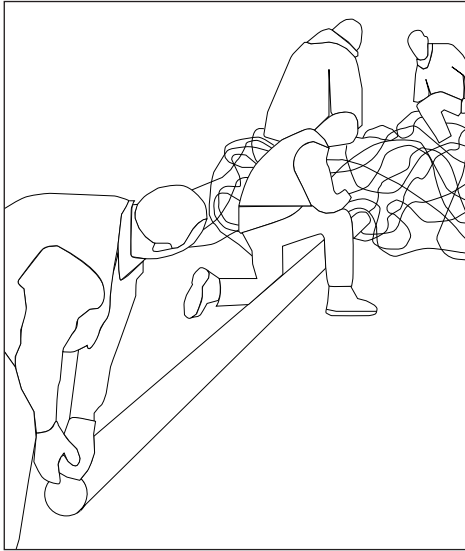
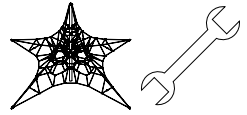
3.6

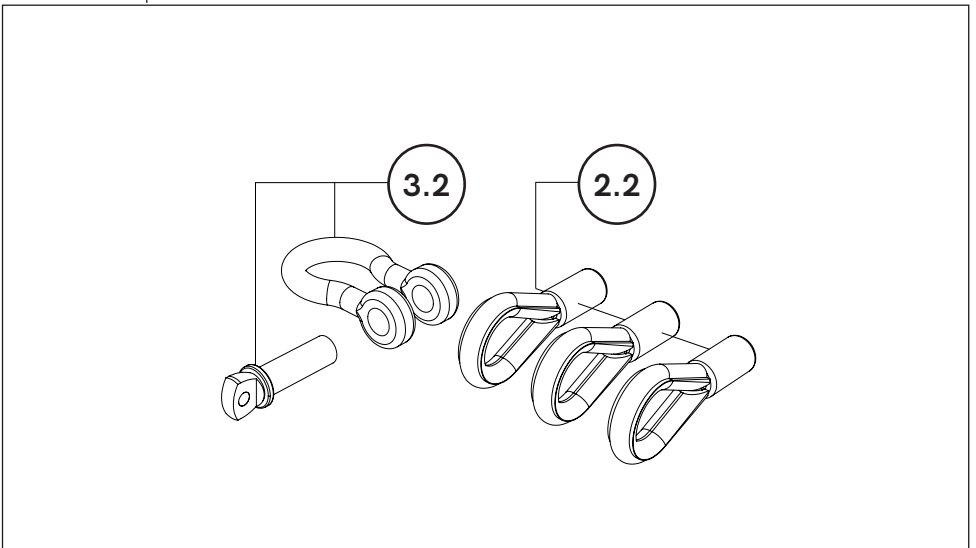
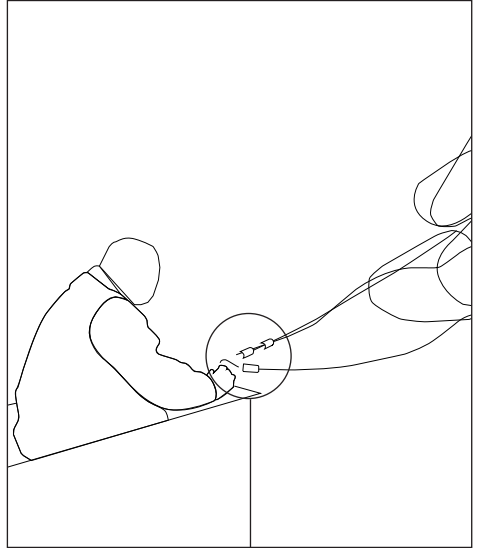
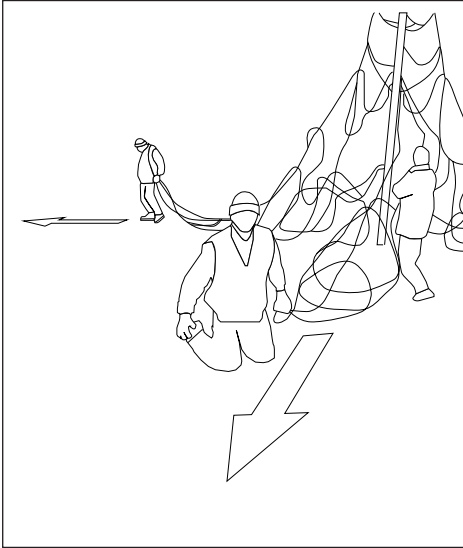
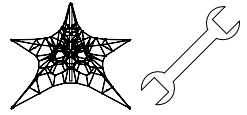


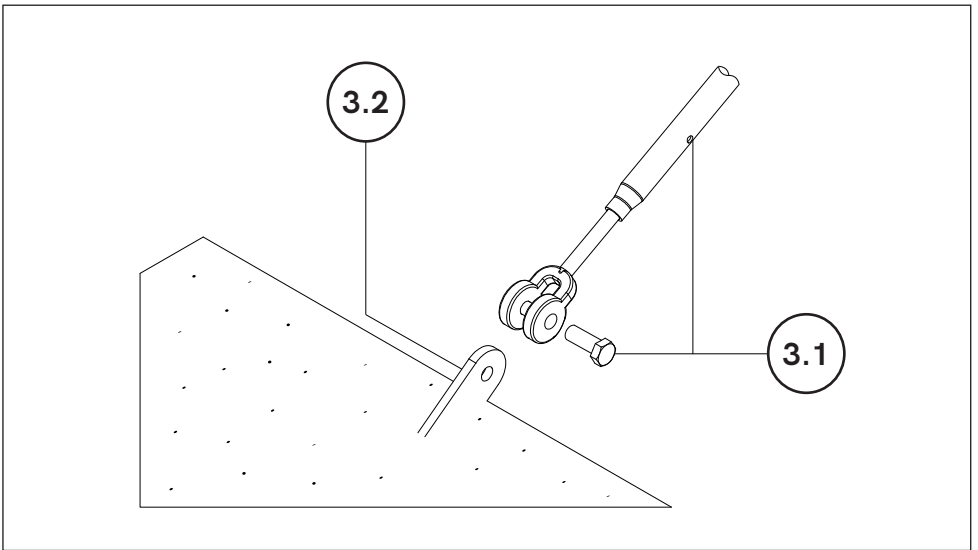
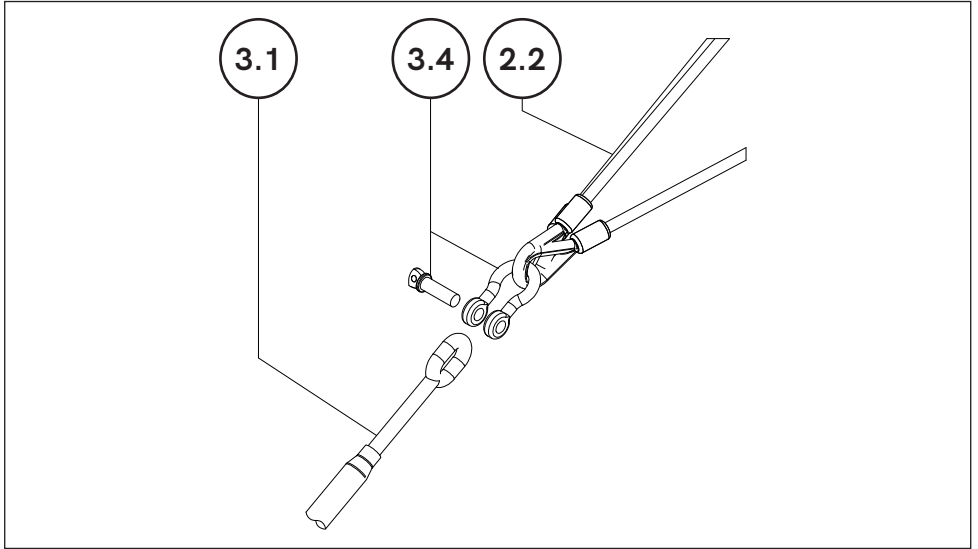
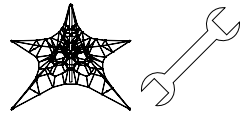


7 x 24h

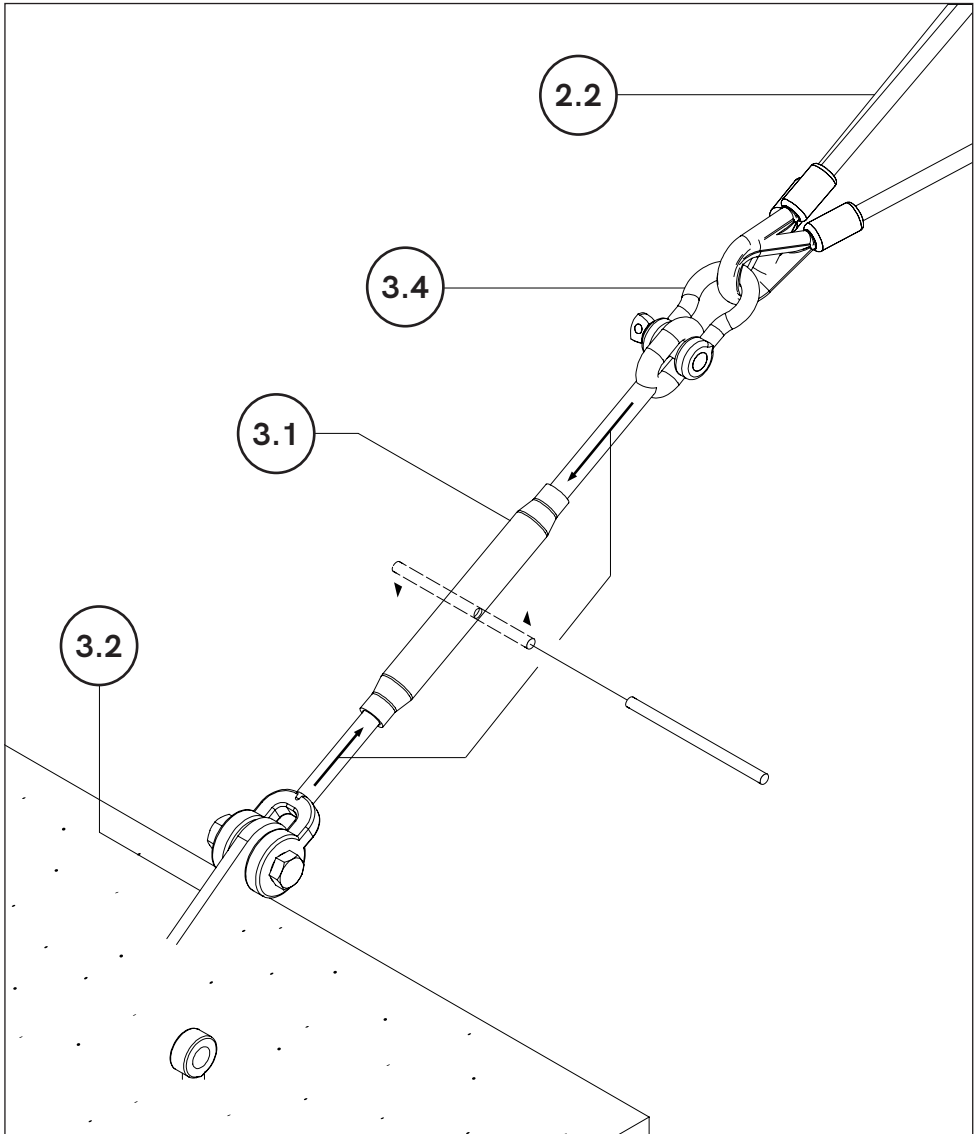
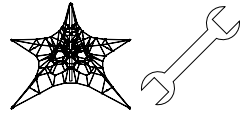




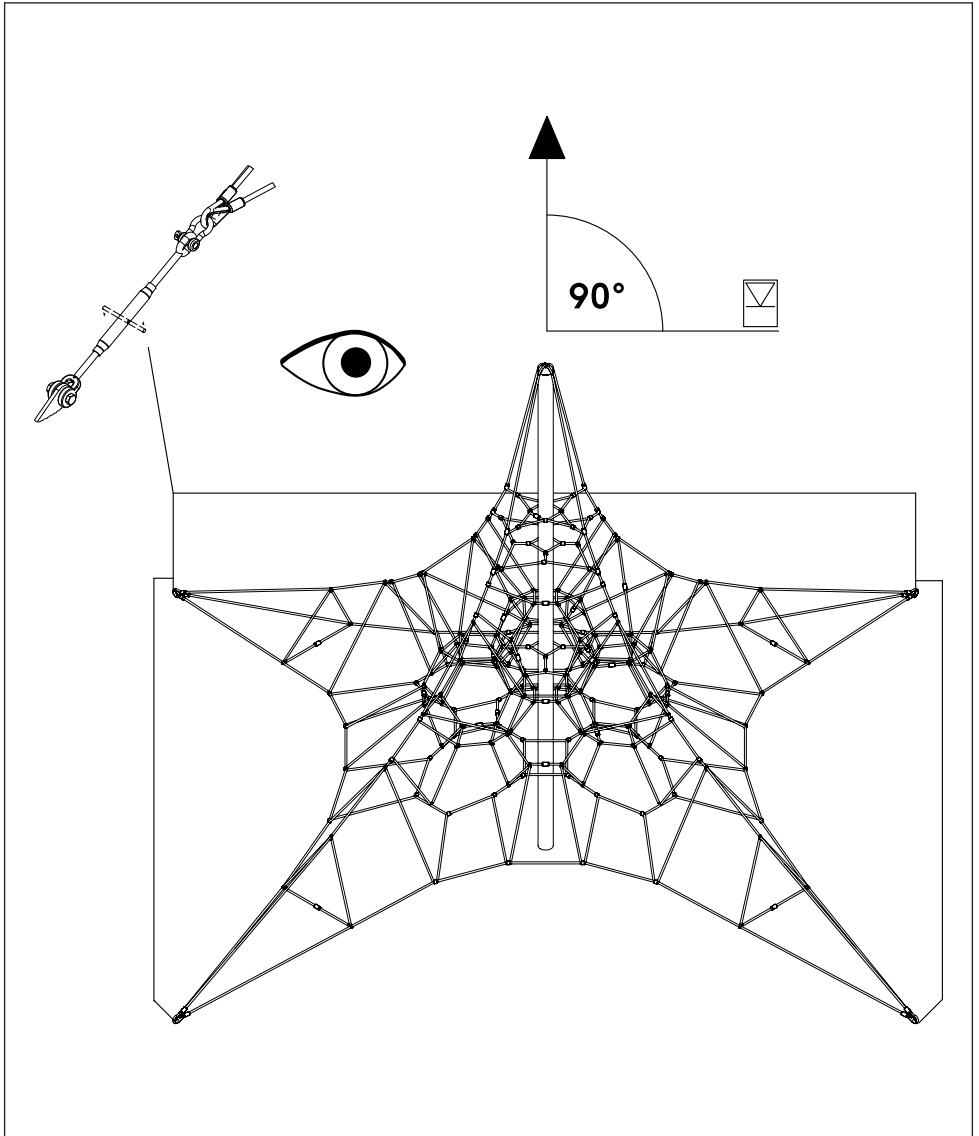
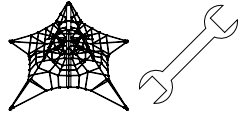




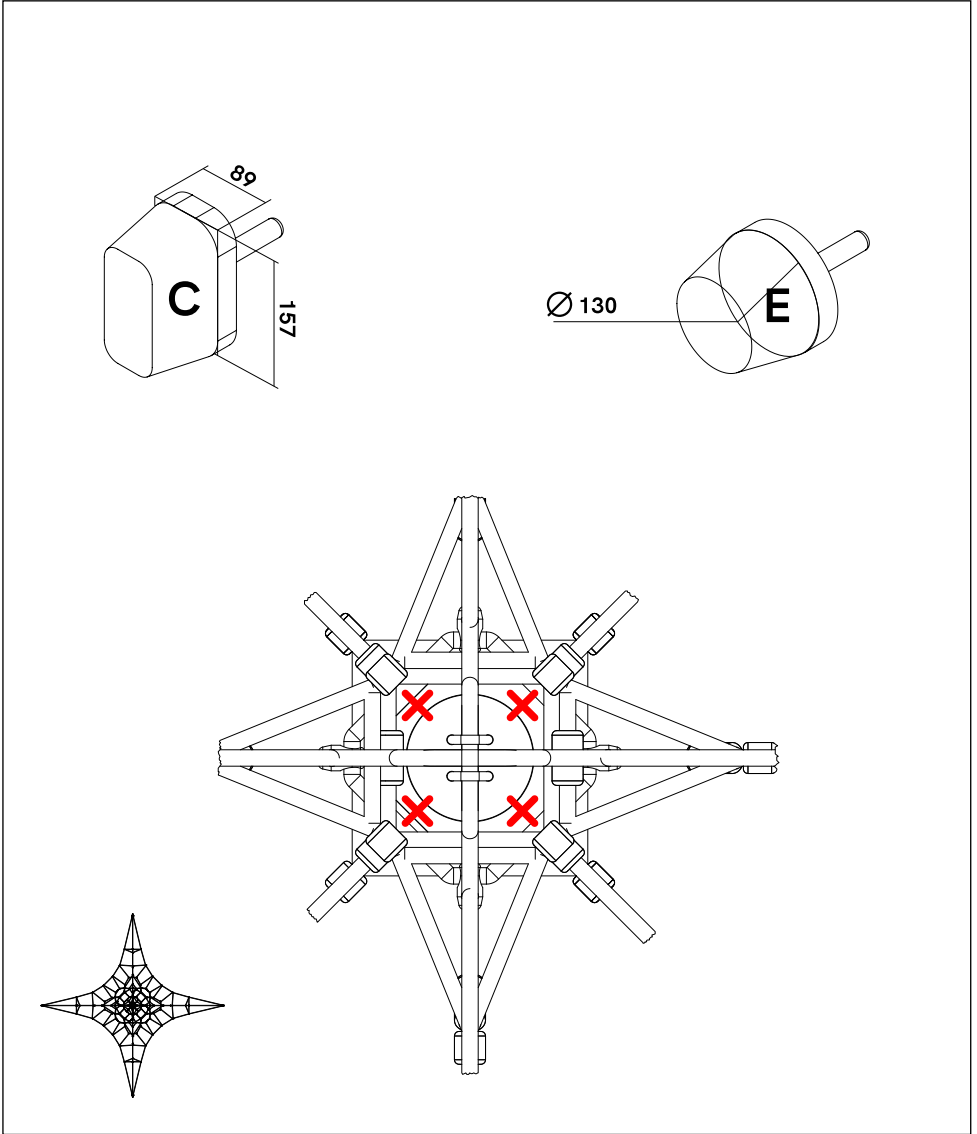
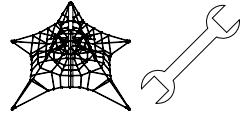
3

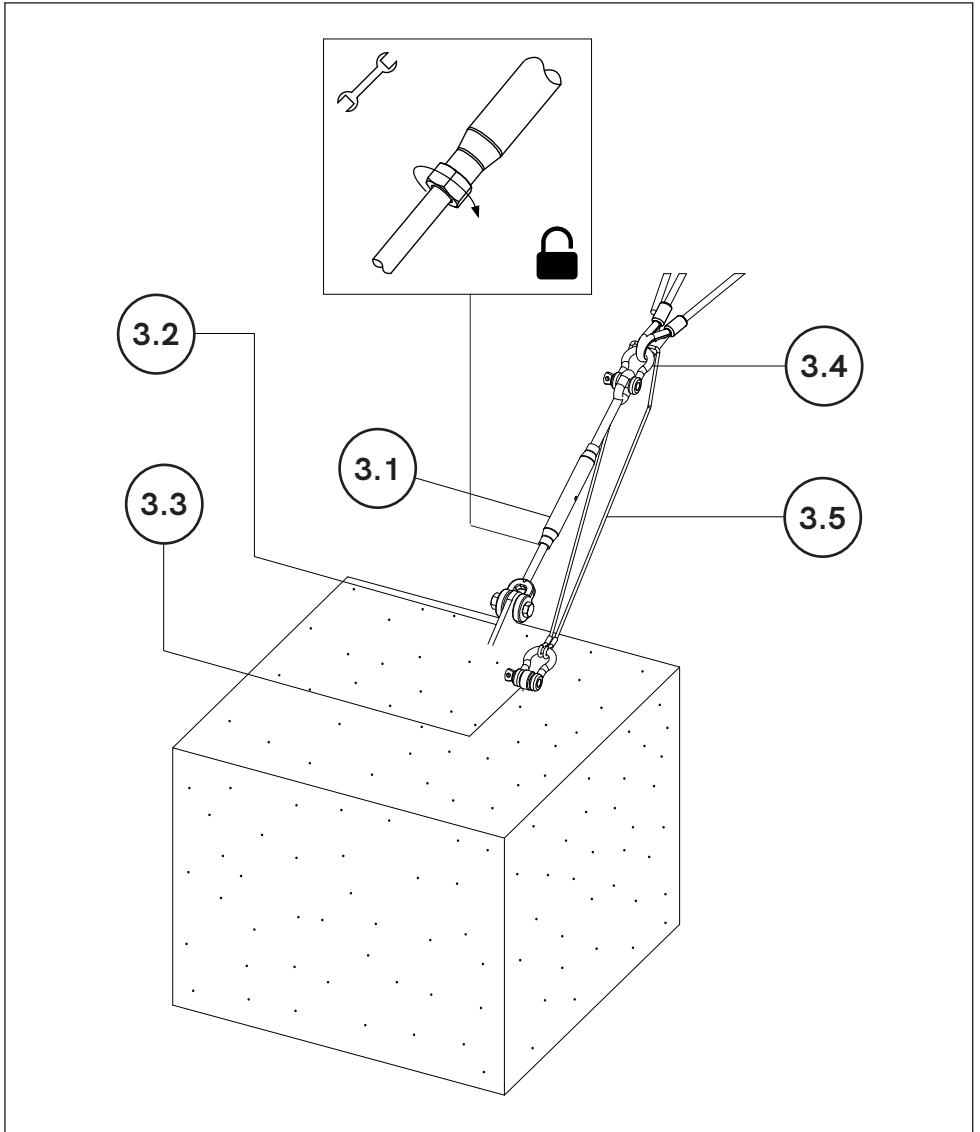
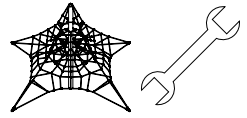




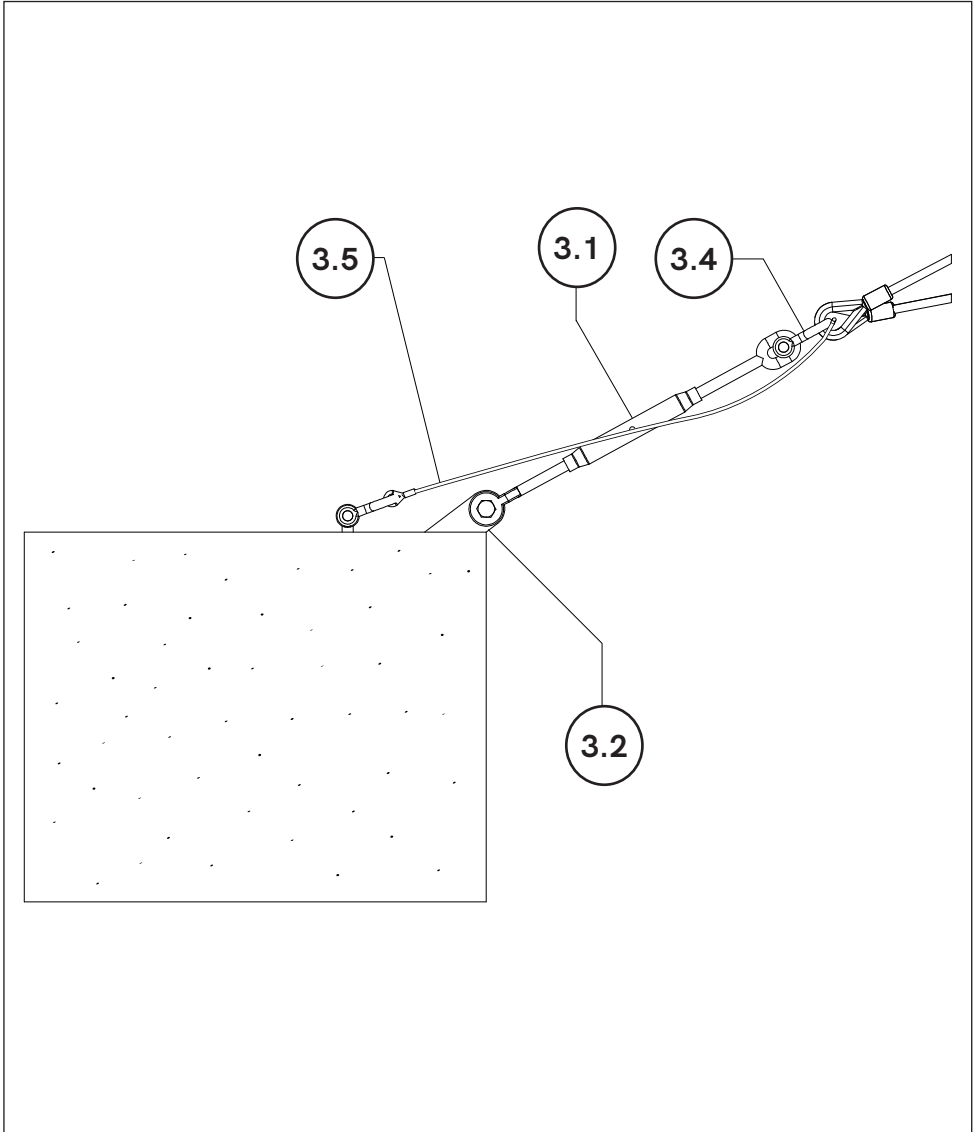
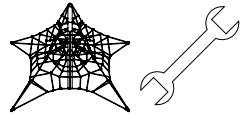


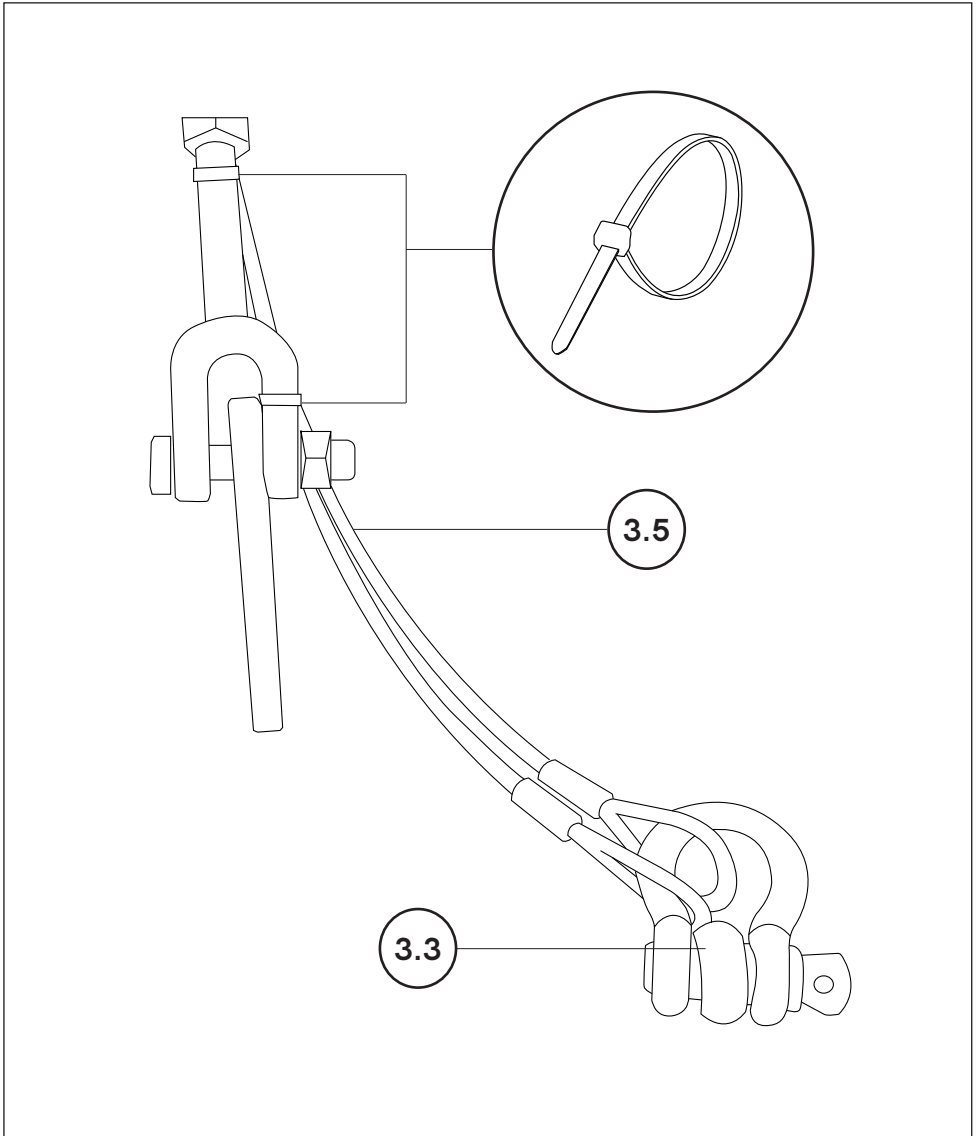
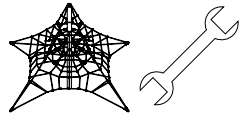
3

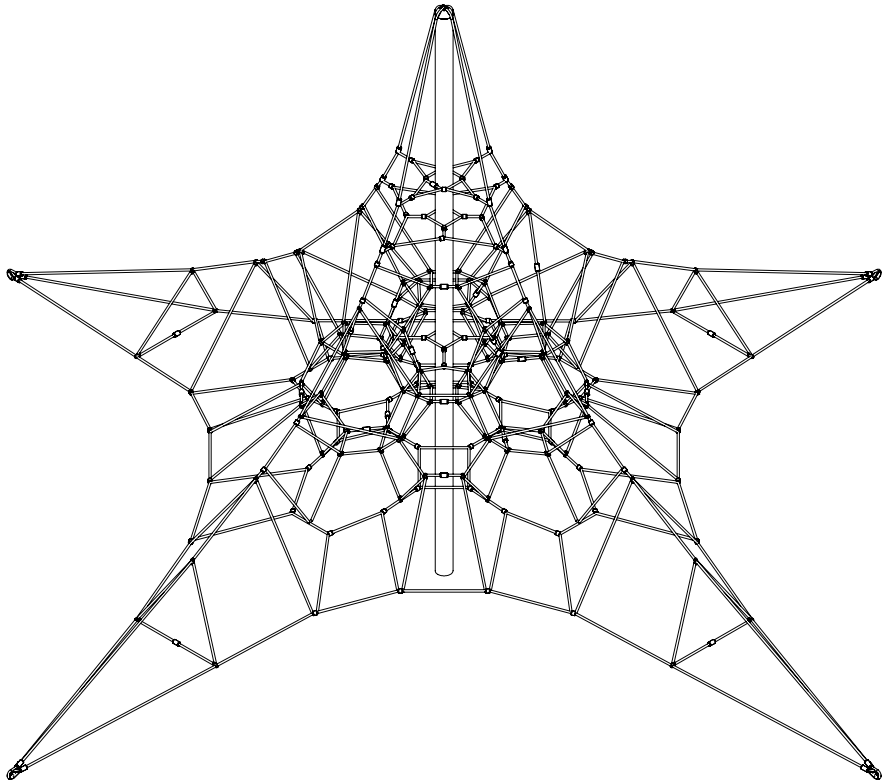




3









## **Tayplay Ltd**

13A Riverview Business Park  
Friarton Road  
Perth  
PH2 8DF  
Scotland

Tel:	+44 (0) 1738 449 084
Fax:	+44 (0) 1738 449 094
Email:	<a href="mailto:info@tayplay.com">info@tayplay.com</a>
Web:	<a href="http://www.tayplay.com">www.tayplay.com</a>