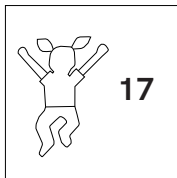
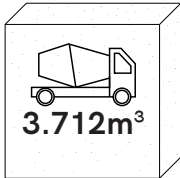
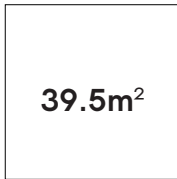
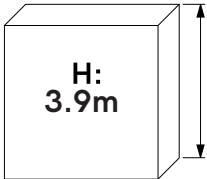
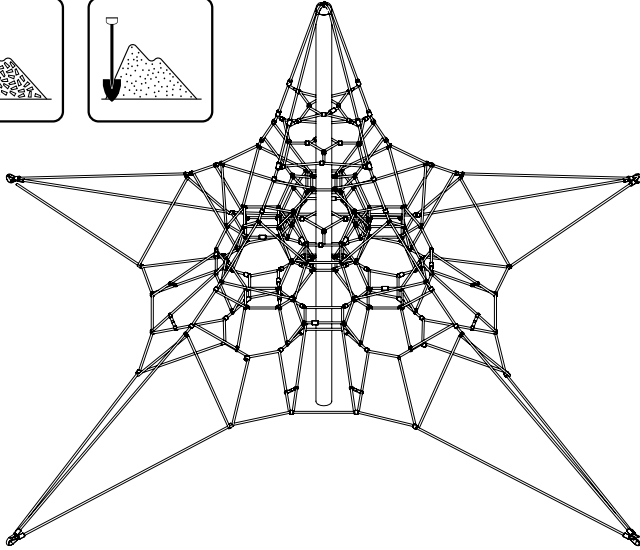




# ACTIVE 4000

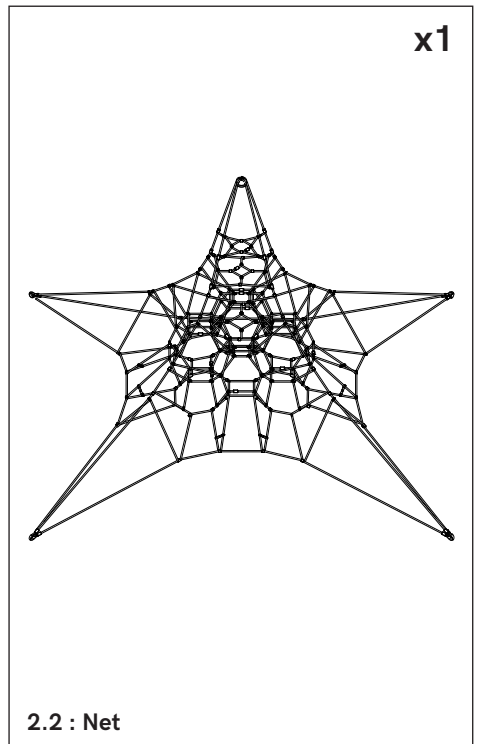
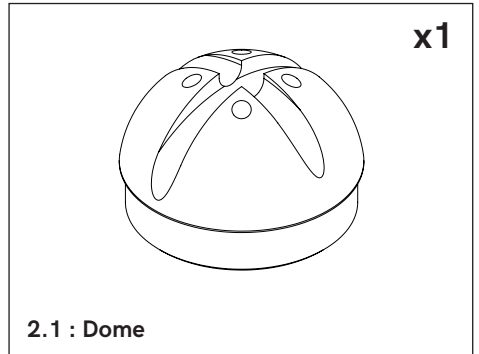
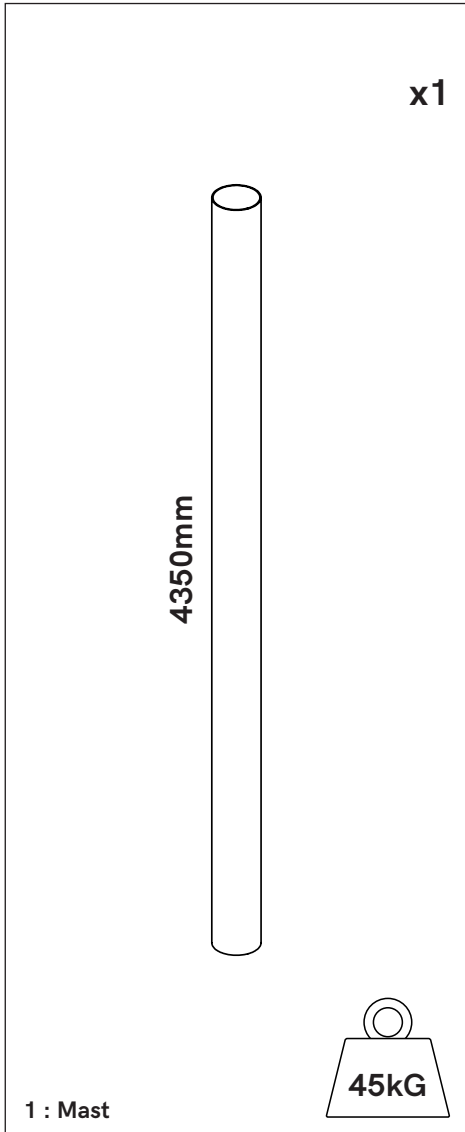
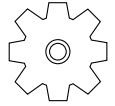
TAY-ACT4000-LF-v2.11

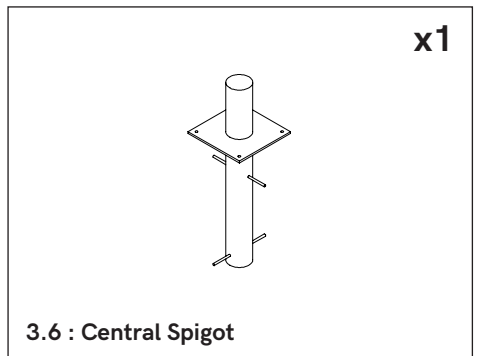
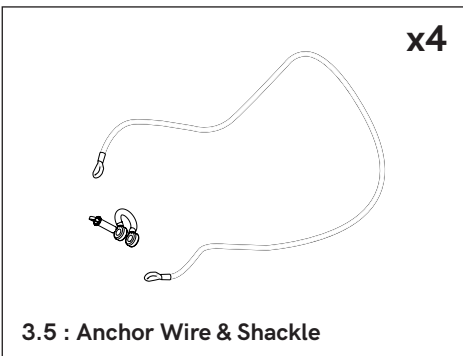
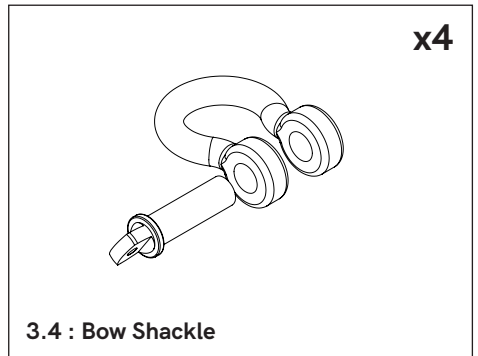
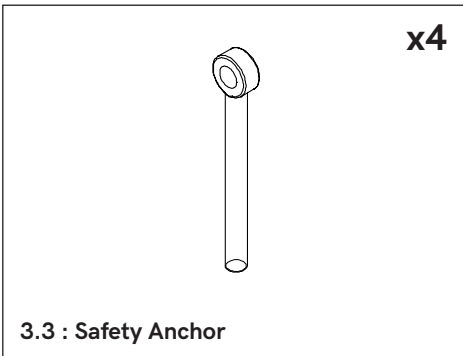
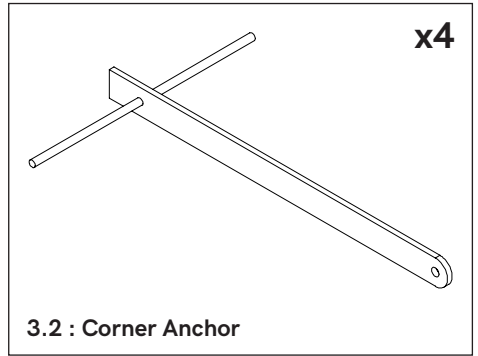
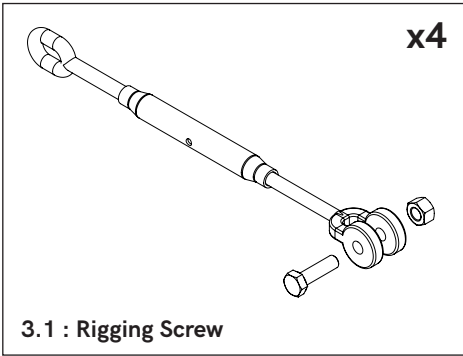
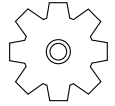
EN1176-1:2017 | EN1176-11:2014

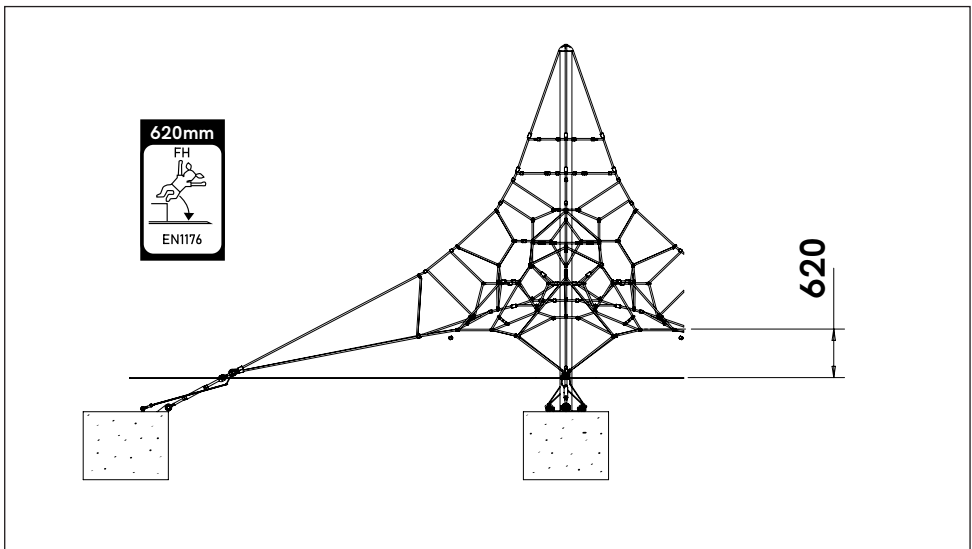
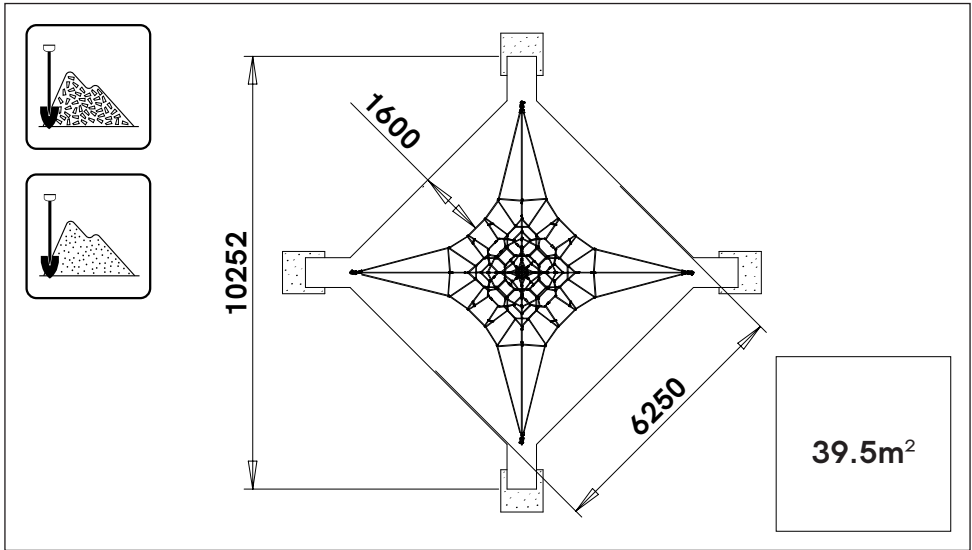
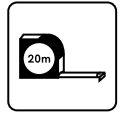


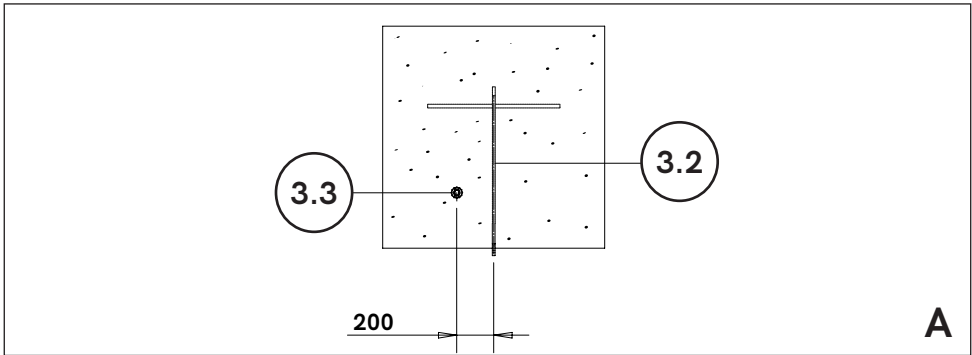
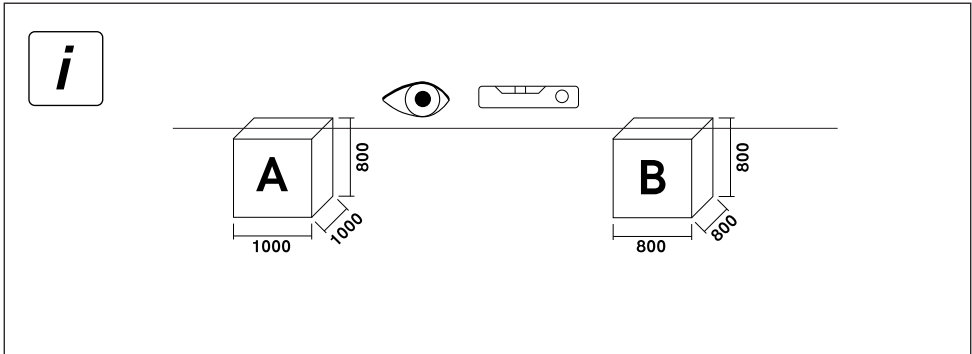
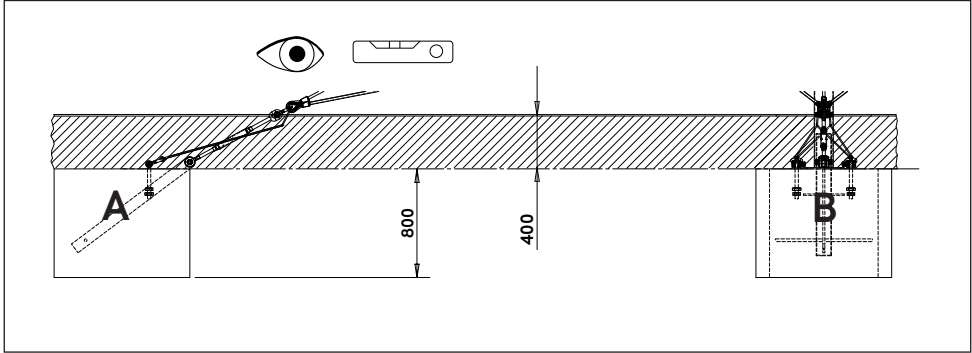
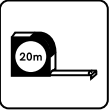
2-3	
4-6	
7	
8-11	
13-21	

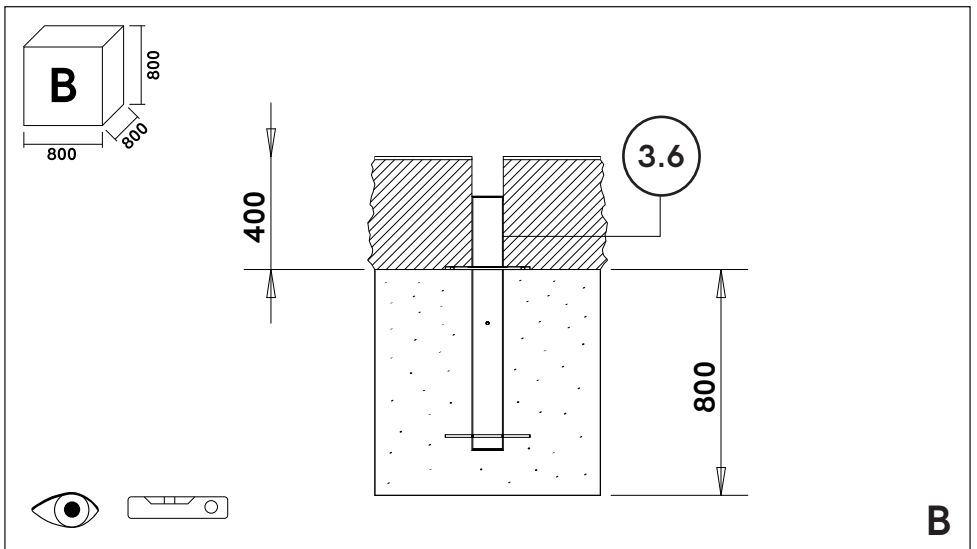
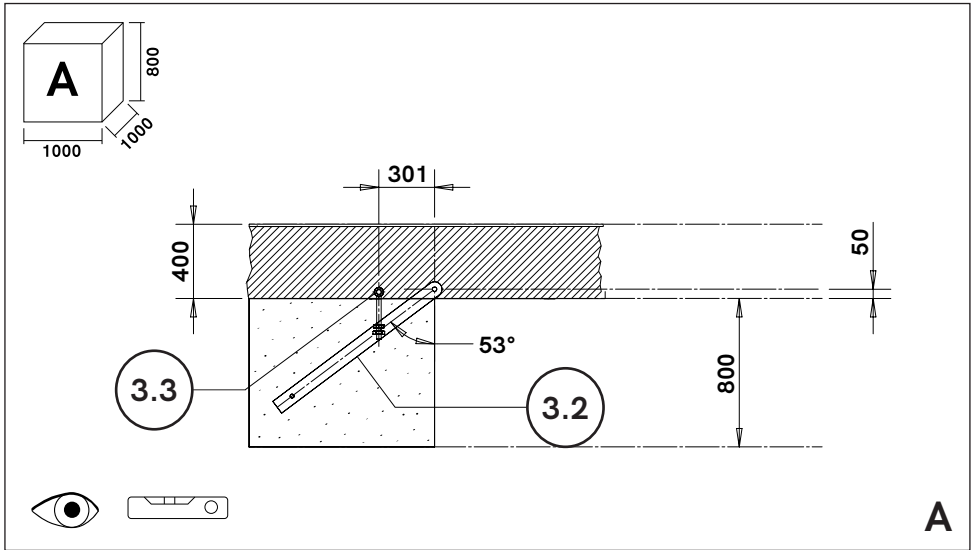
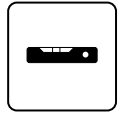
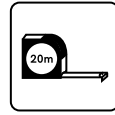




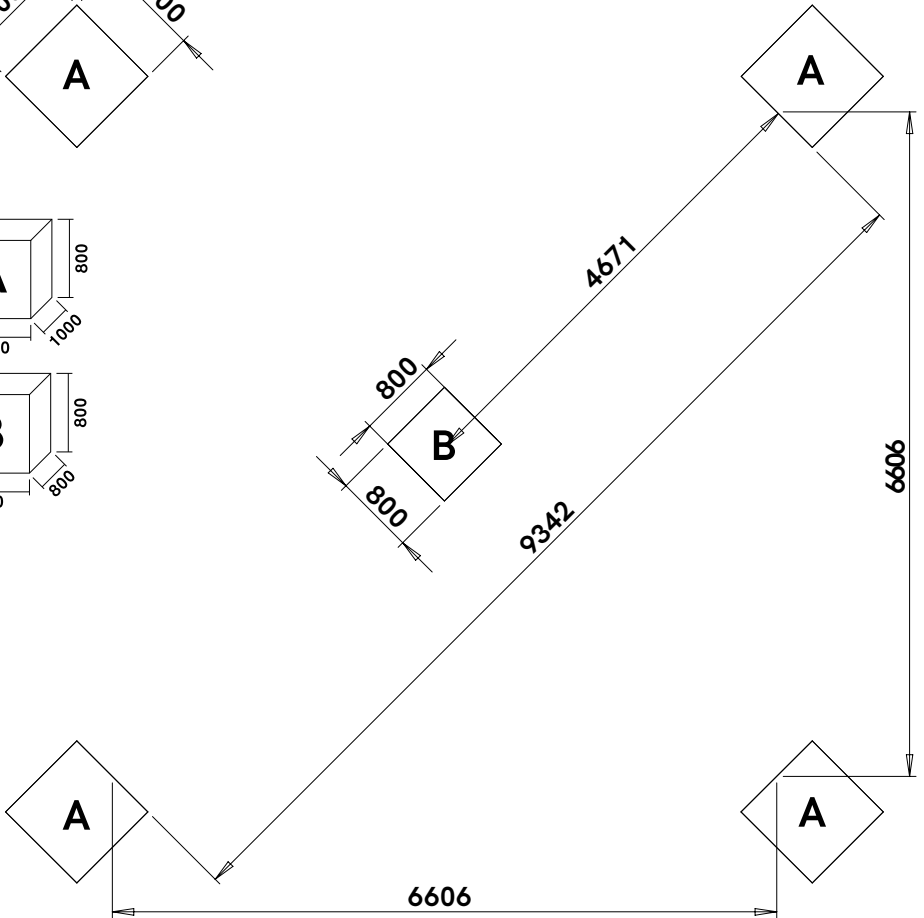
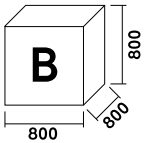
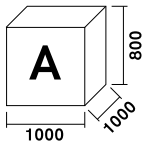
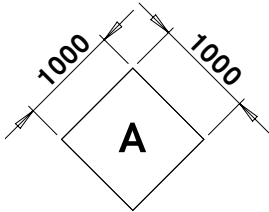
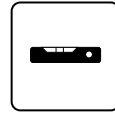
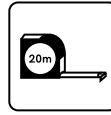




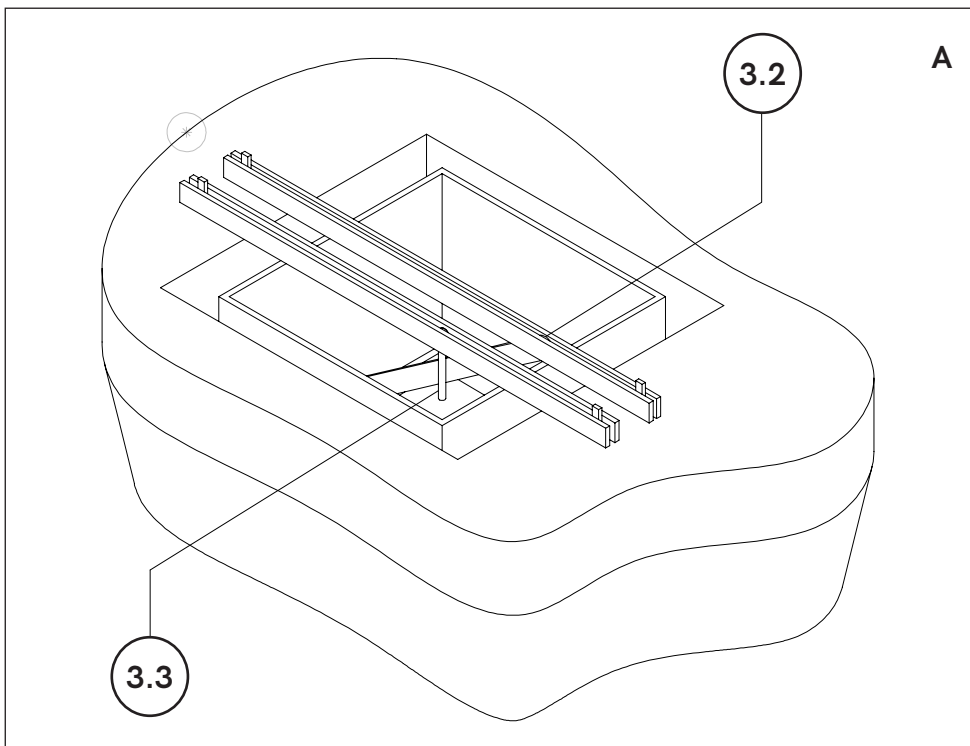
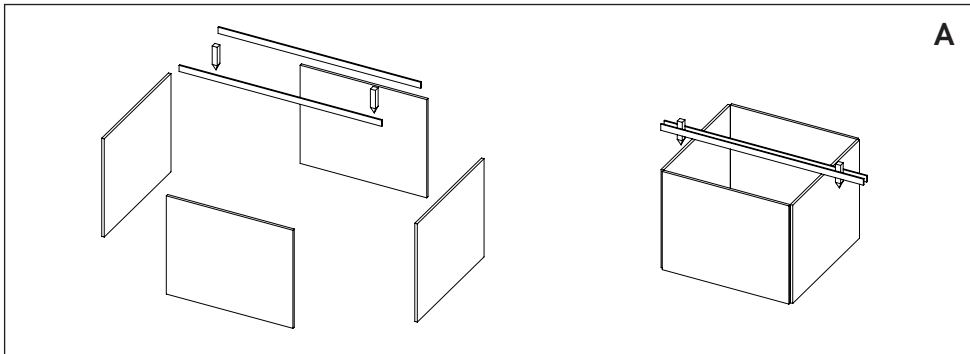
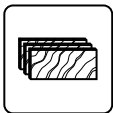
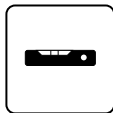




1

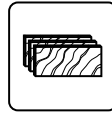
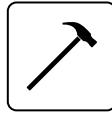
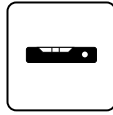


2

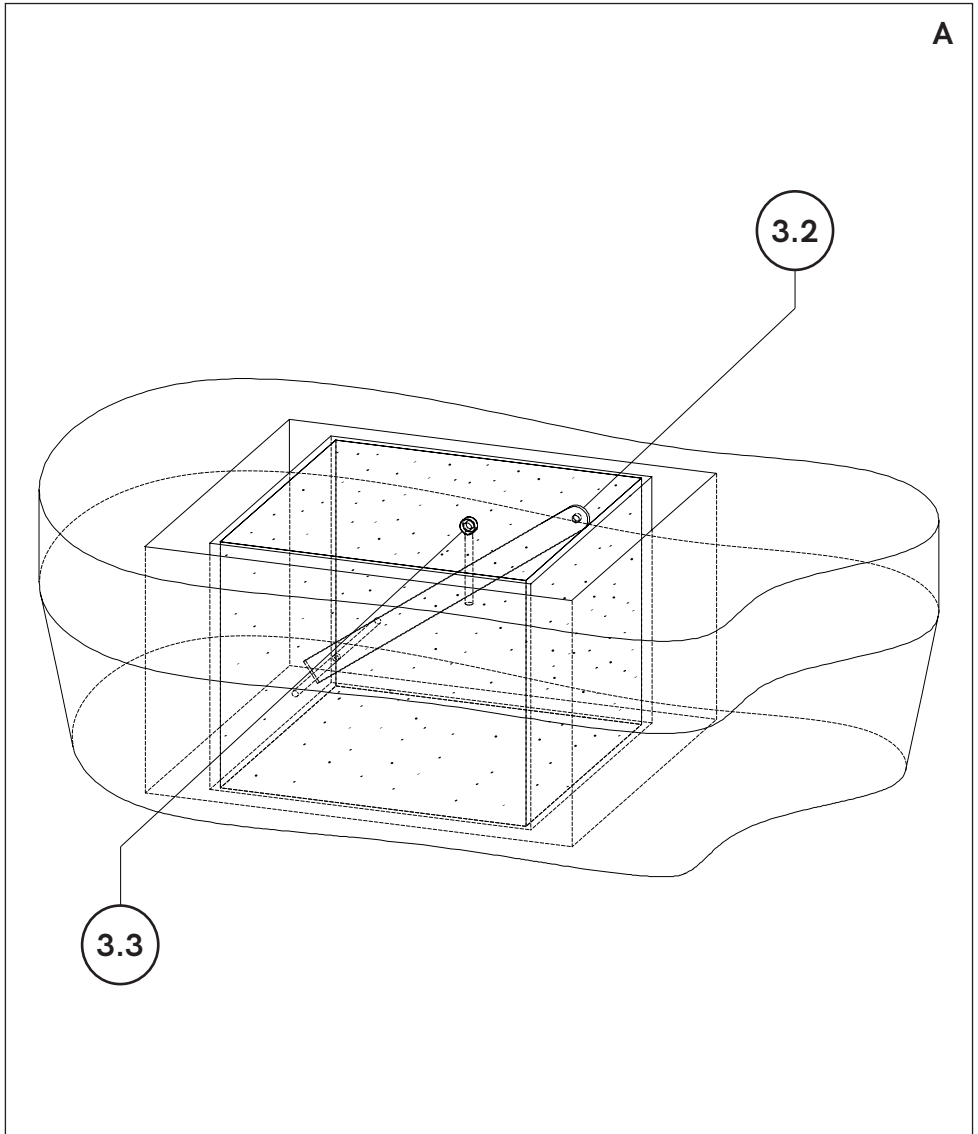




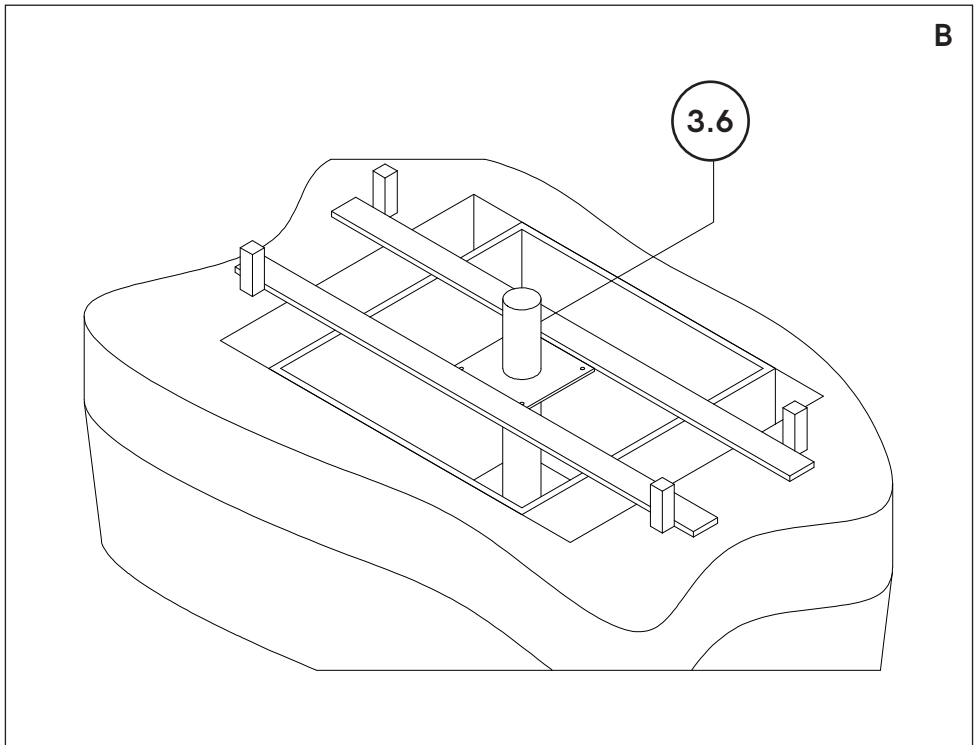
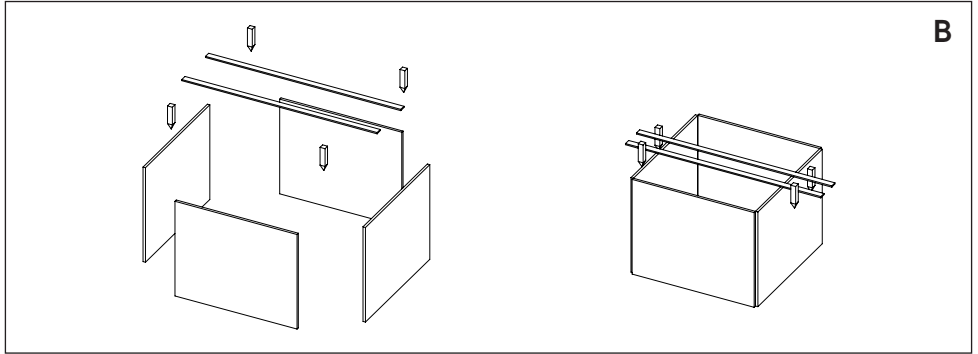
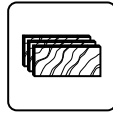
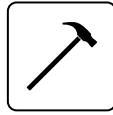
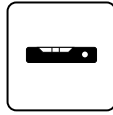
2



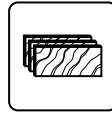
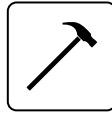
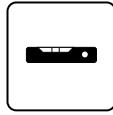
A



2

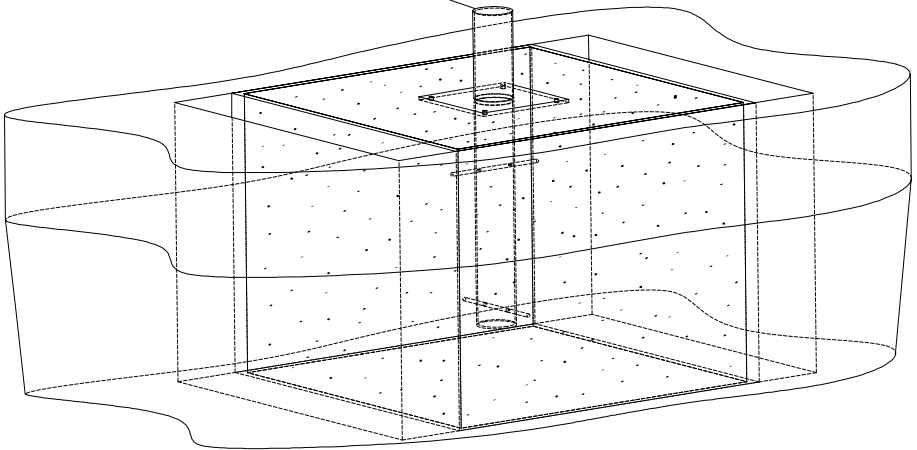


2



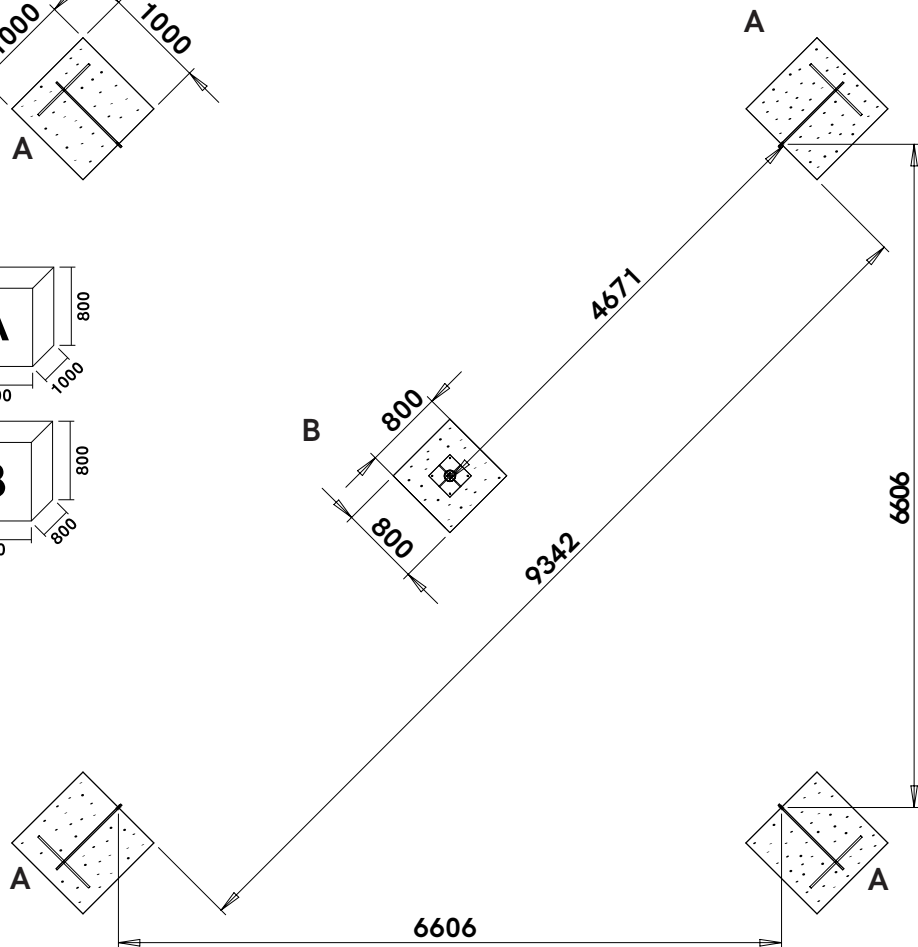
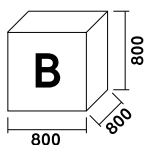
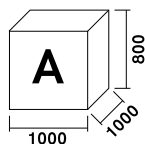
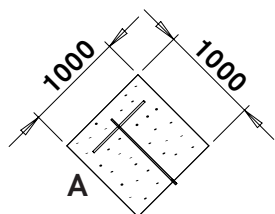
B

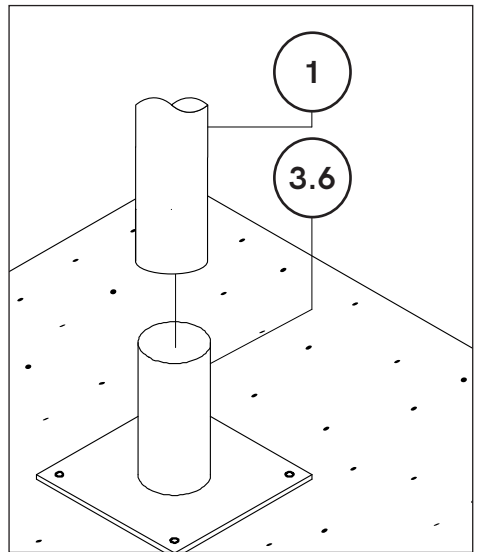
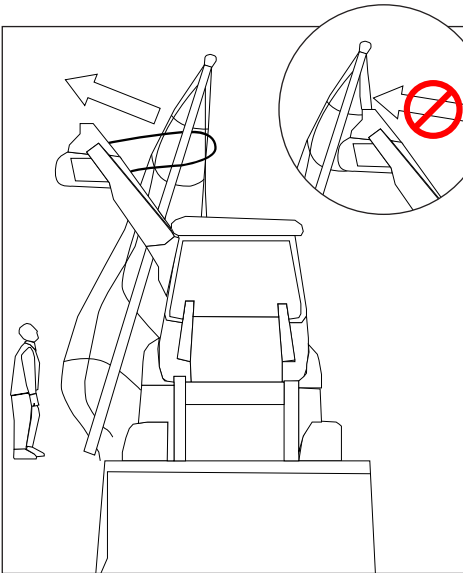
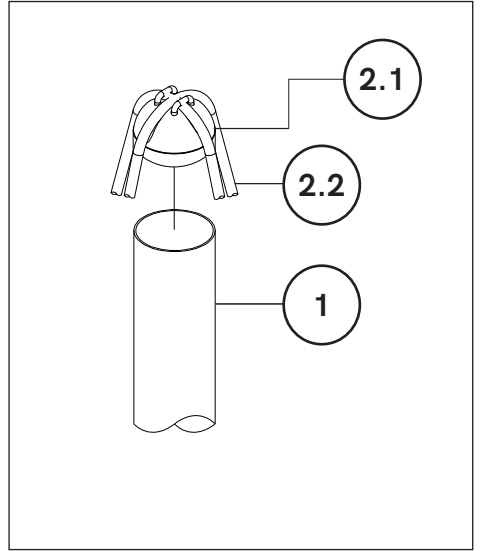
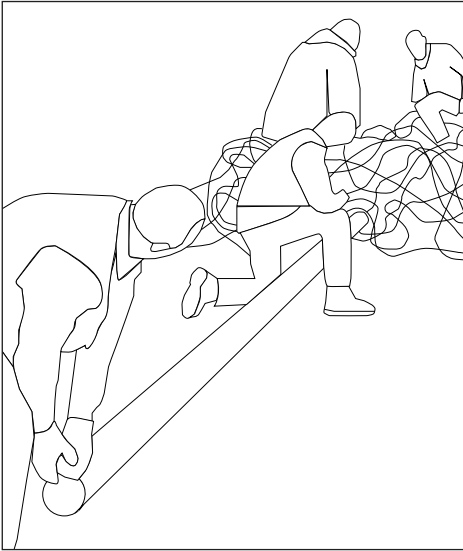
3.6

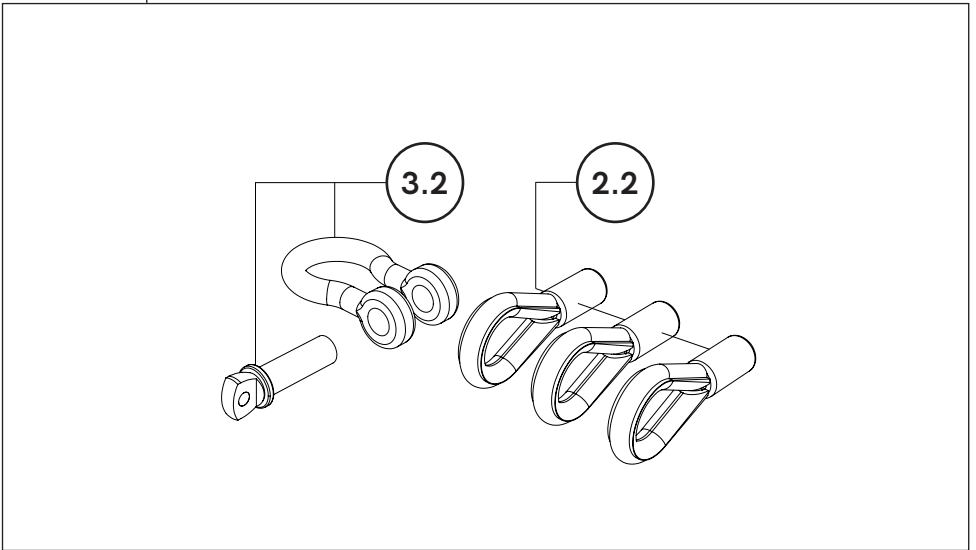
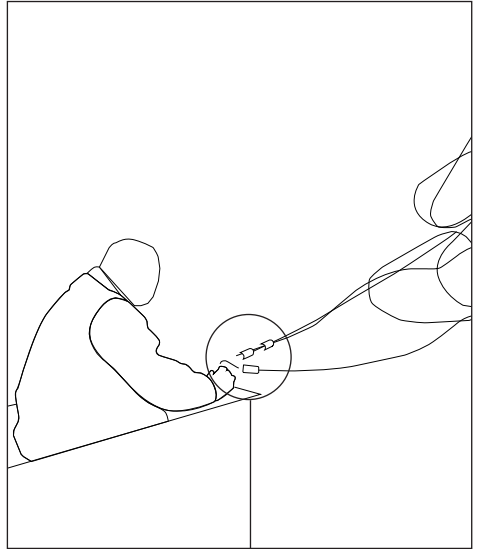
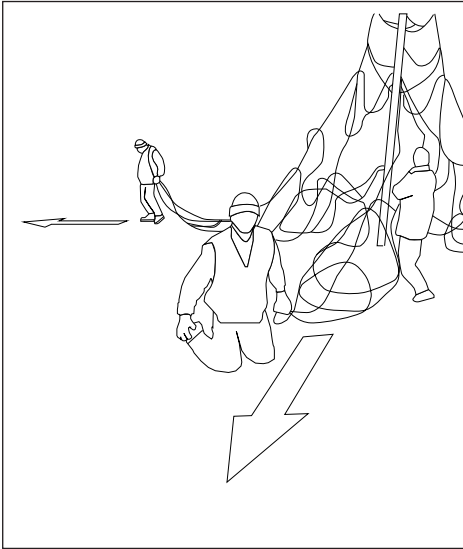


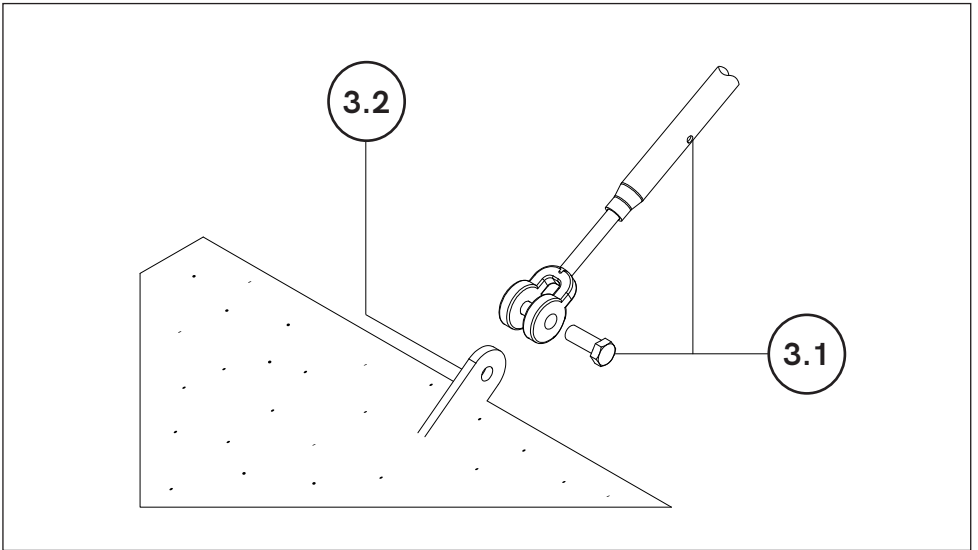
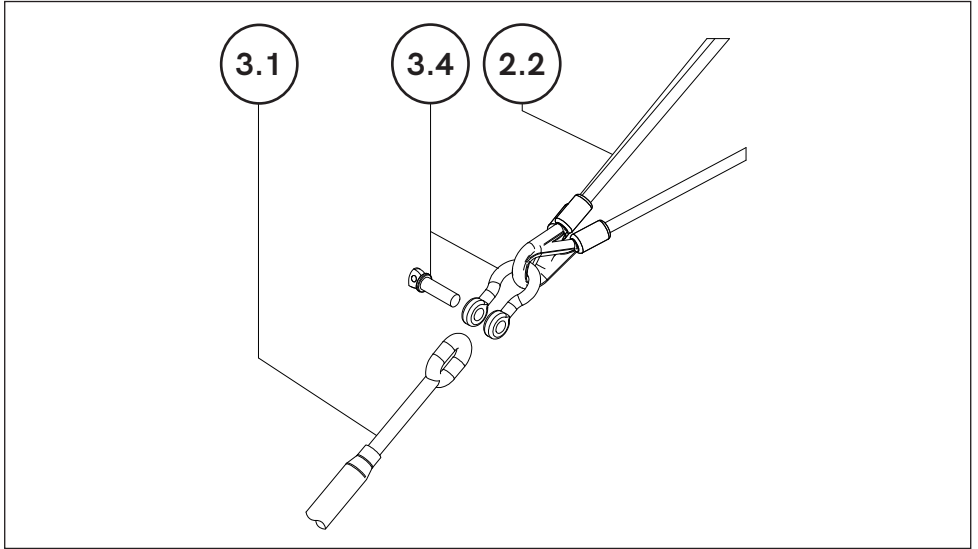


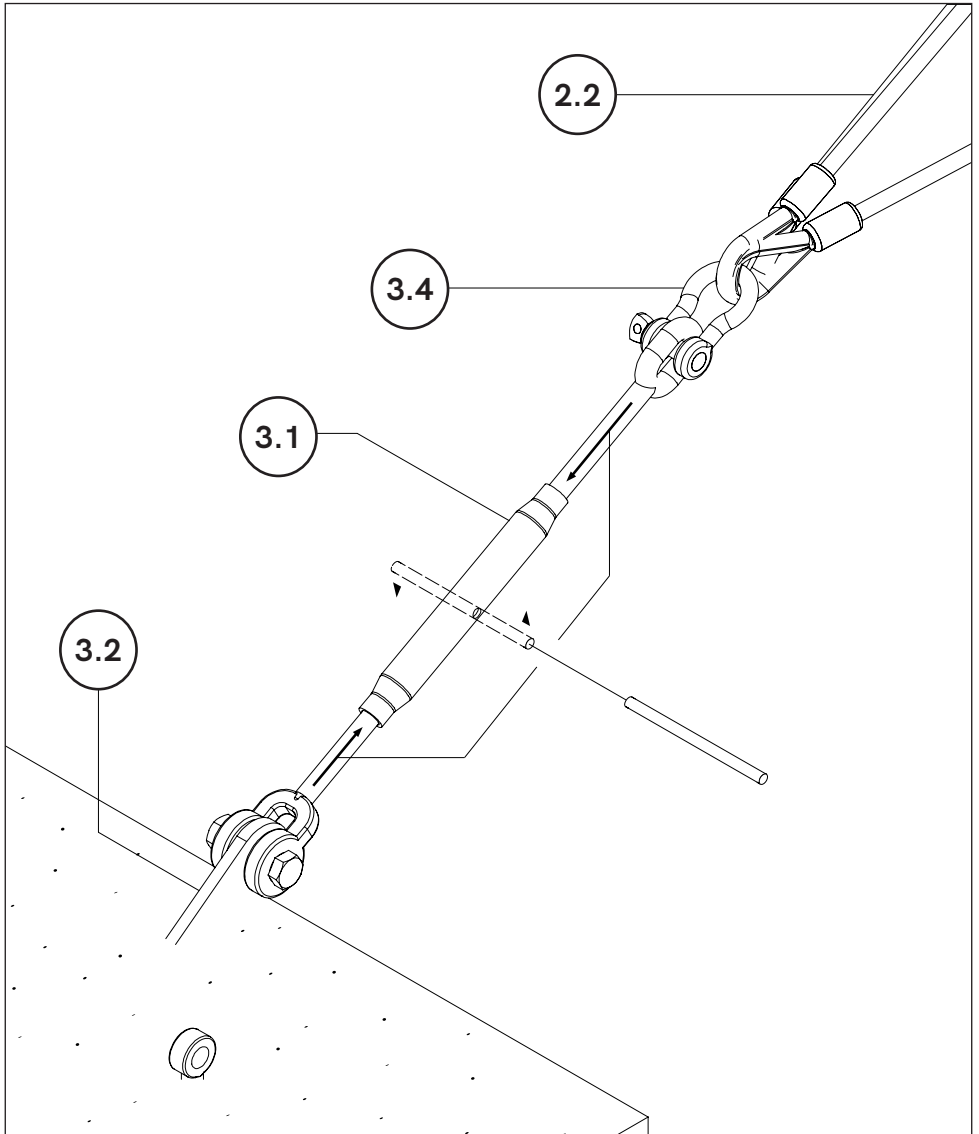
7 x 24h





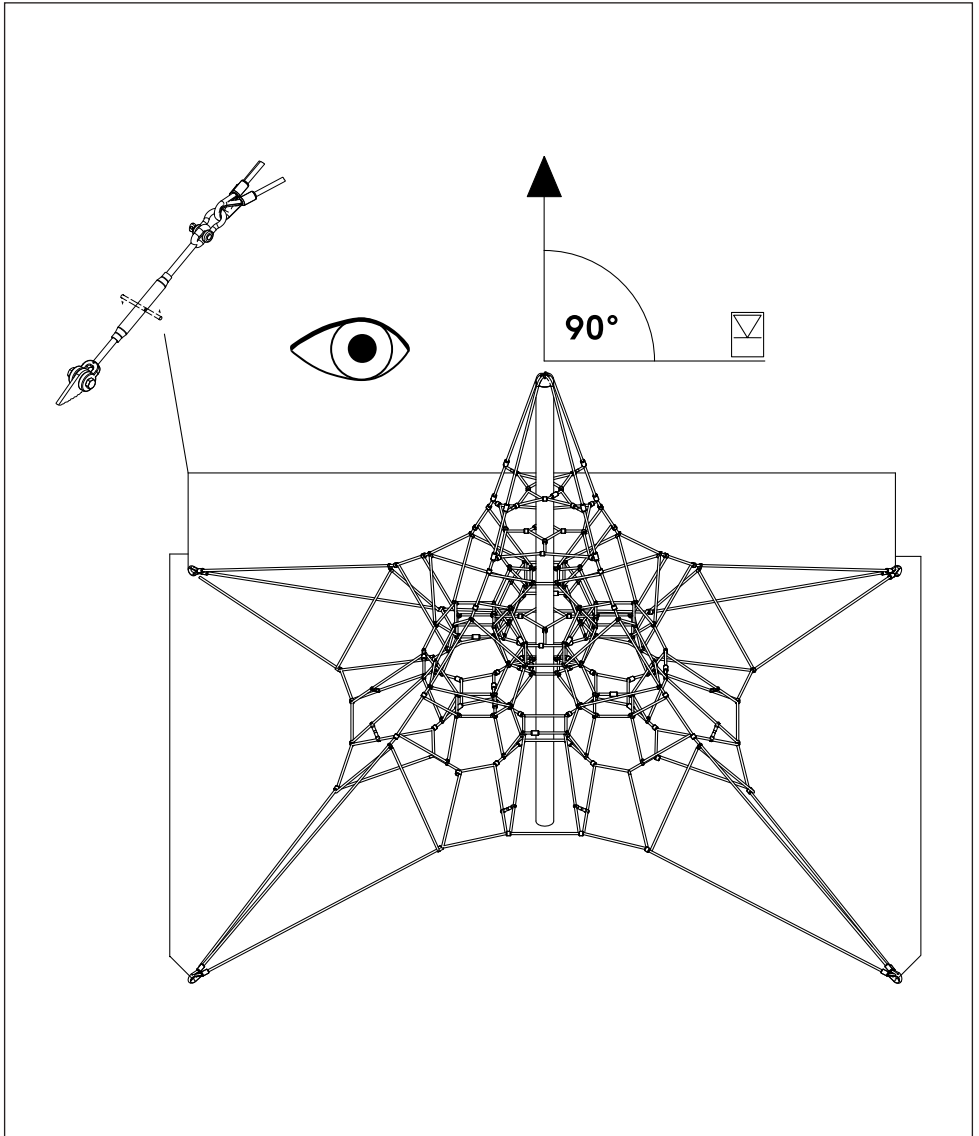


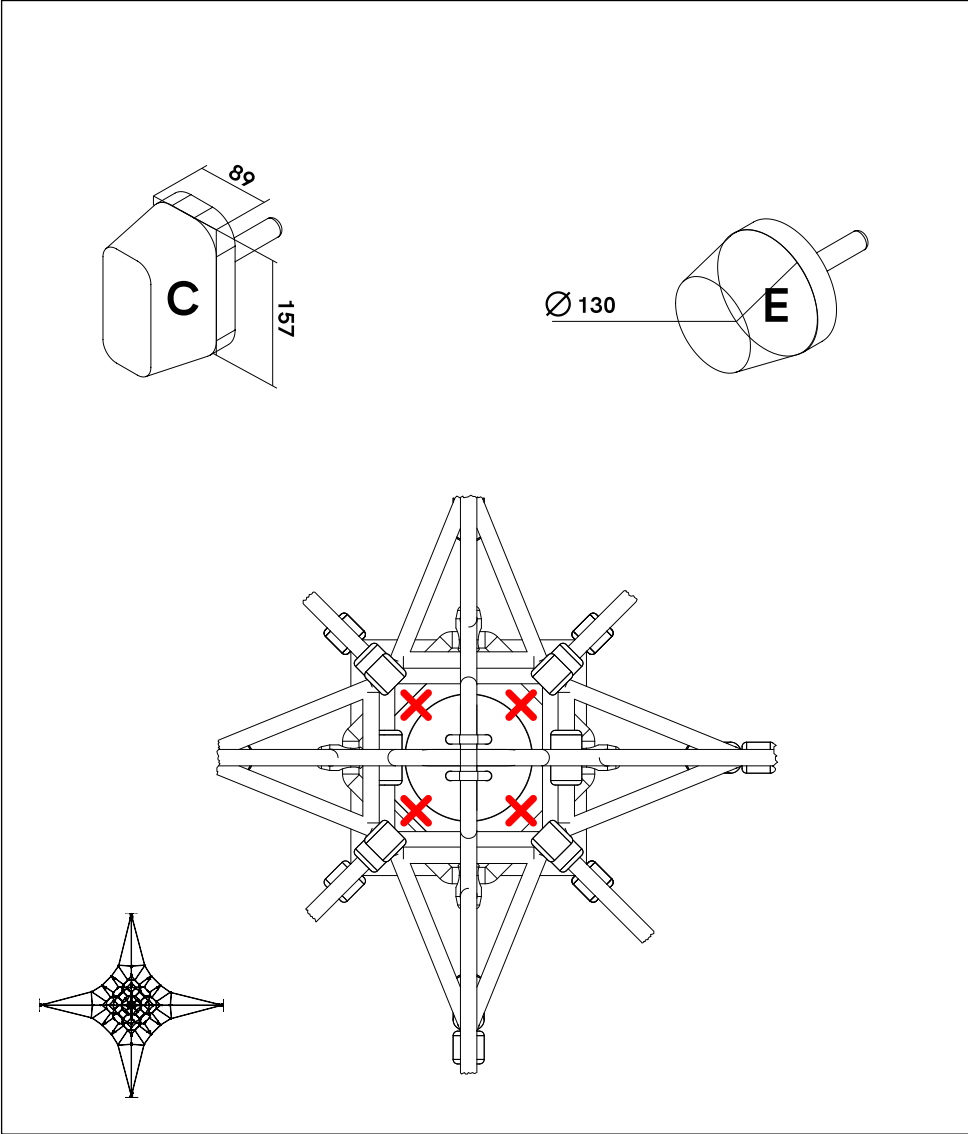


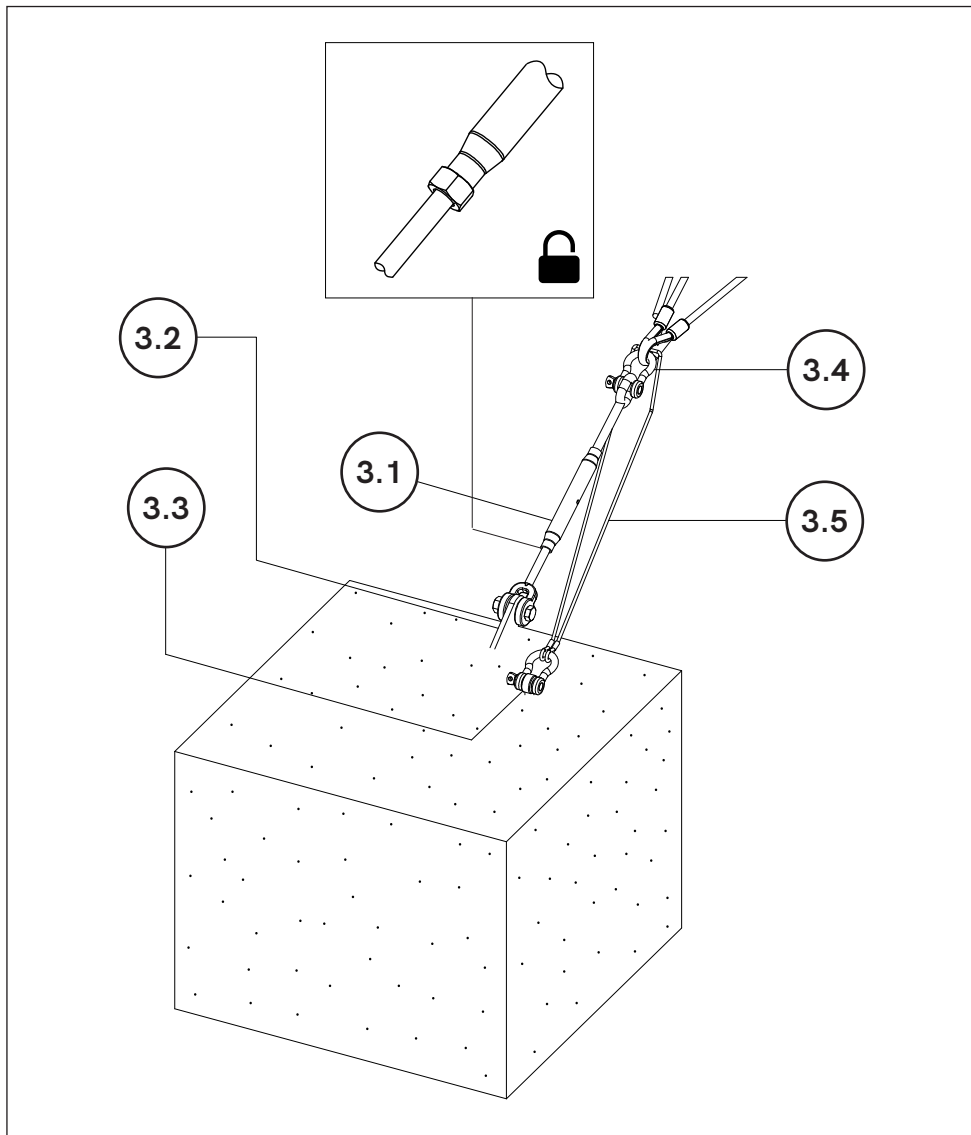
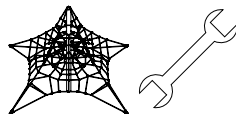




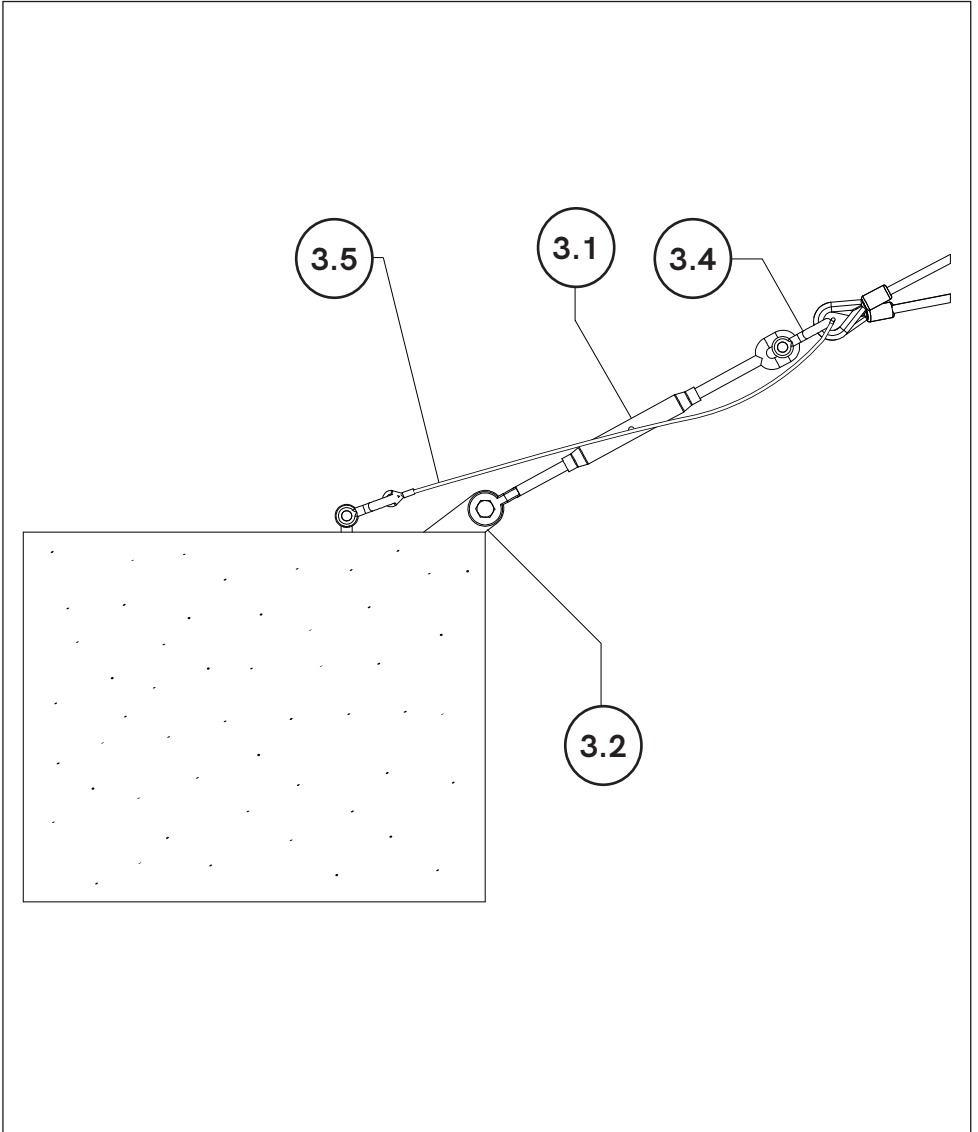
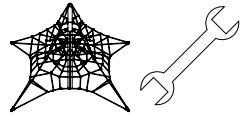
3

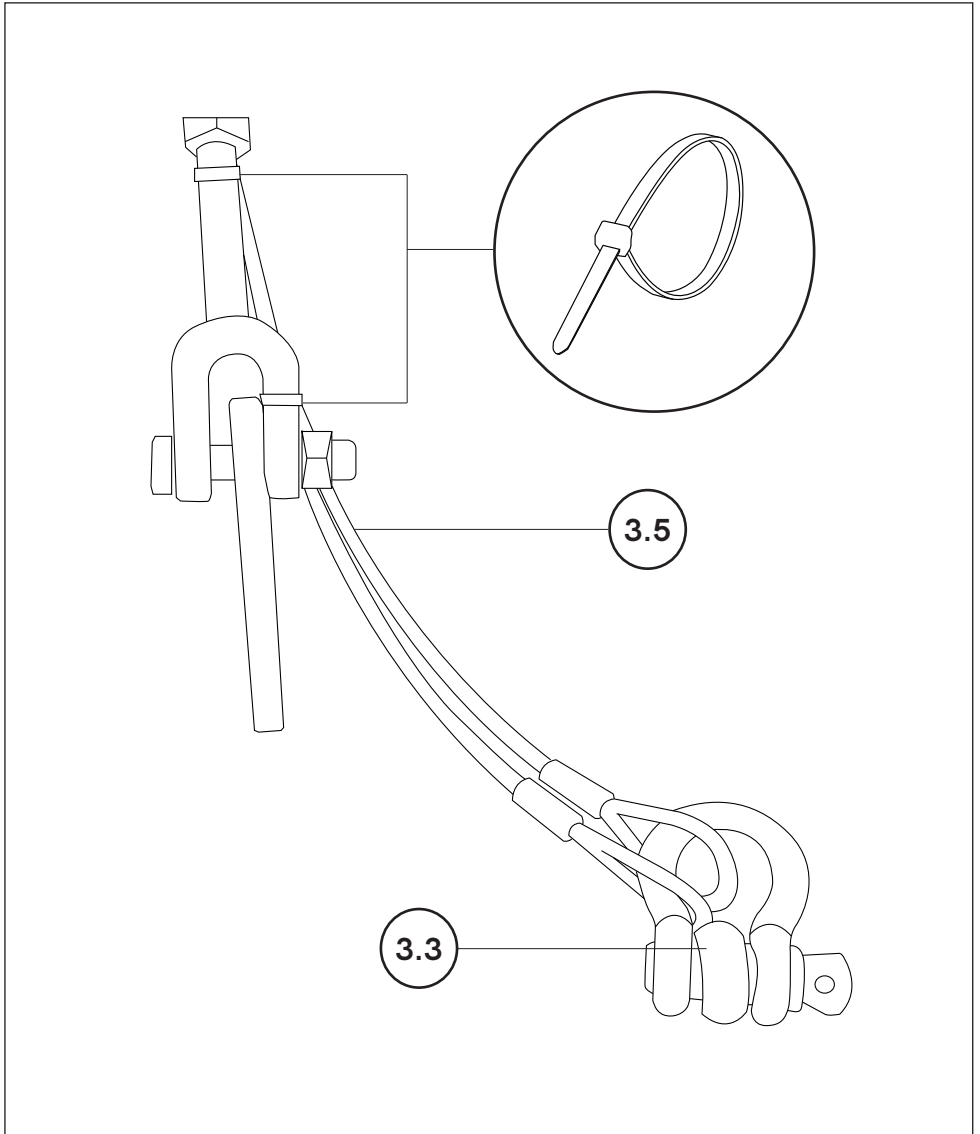
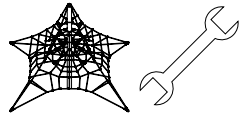


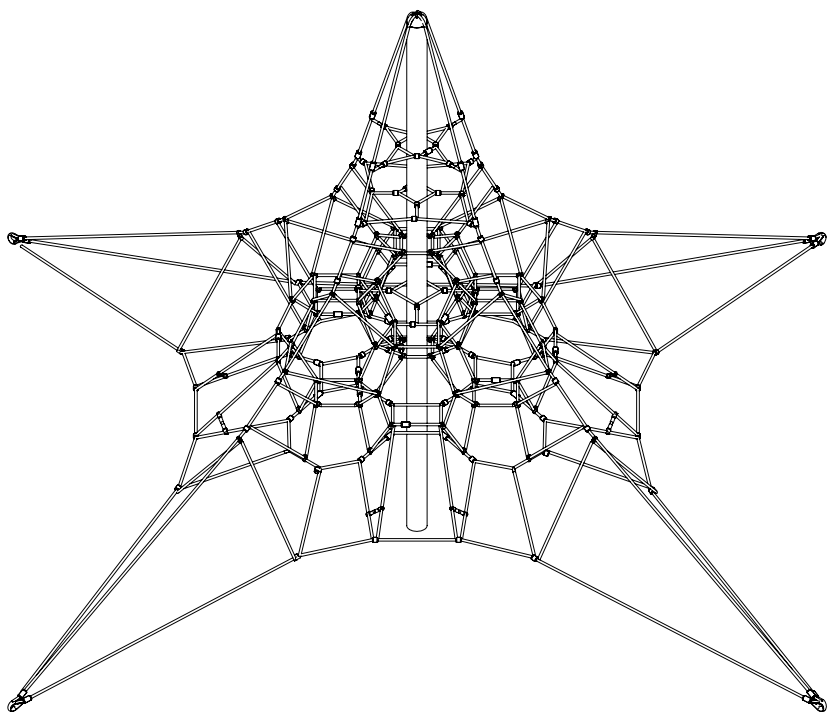




3









## **Tayplay Ltd**

13A Riverview Business Park  
Friarton Road  
Perth  
PH2 8DF  
Scotland

Tel: +44 (0) 1738 449 084  
Fax: +44 (0) 1738 449 094  
Email: [info@tayplay.com](mailto:info@tayplay.com)  
Web: [www.tayplay.com](http://www.tayplay.com)